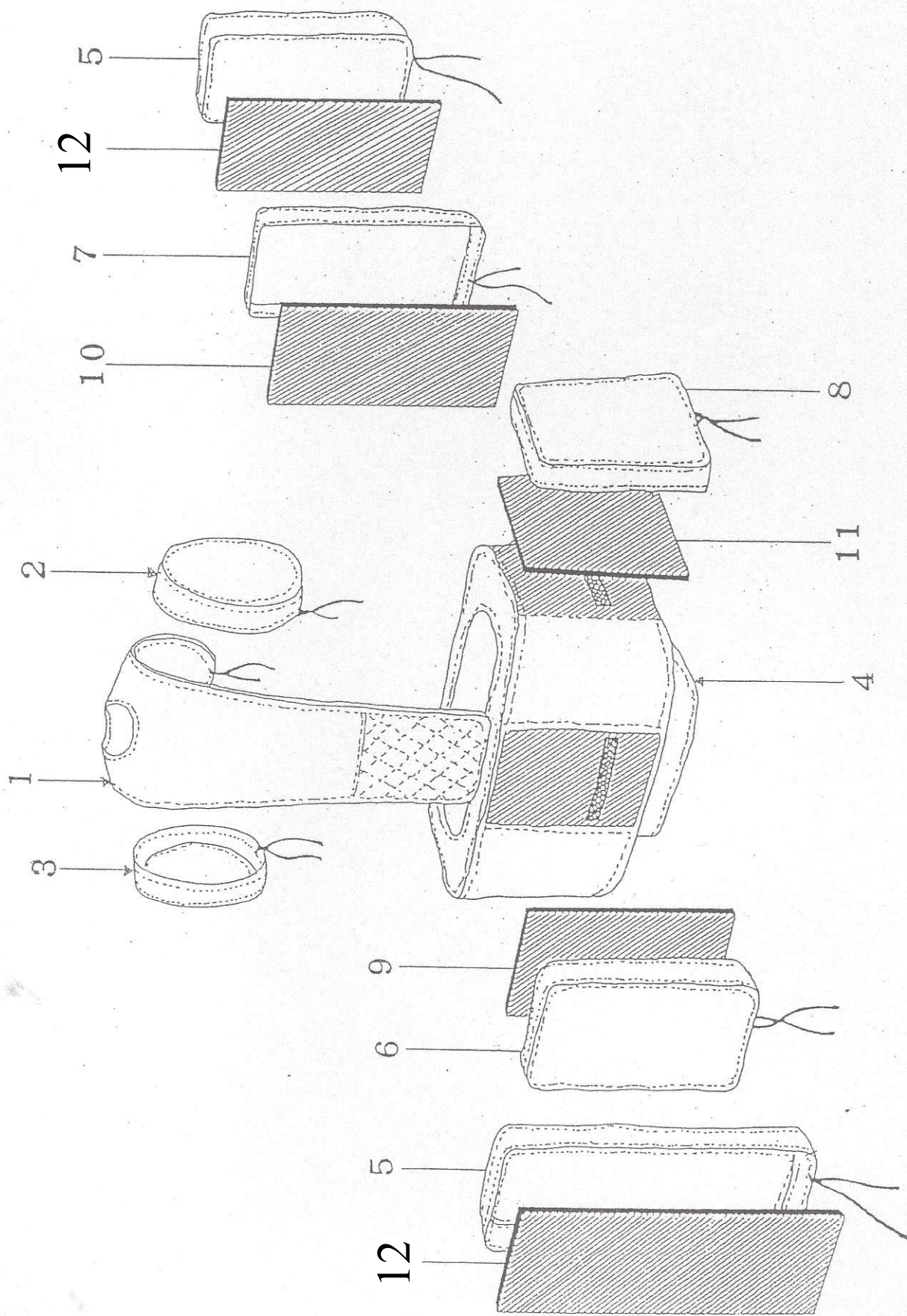


Liste der Bezüge CN-50



BezügeCN-50E

Nr.	Artikelbezeichnung	Bestellnummer	Menge
1	Body Cover	SAS1D044	1
2	Shoulder Cover Right	SAS1D045	1
3	Shoulder Cover Left	SAS1D046	1
4	Lower Body Cover	SAS1D014	1
5	Front & Rear Clamp Cover	SAS1D016	2
6	White Inner Cover Front	SAS1D018	1
7	White Inner Cover Rear	SAS1D020	1
8	White Inner Cover Side	SAS1D022	2
9	Inner Plate Front Inner	SAS1D019	1
10	Rear Clamp Holder Mat	SAS1D021	1
11	Side Mat	SAS1D023	2
12	Front & Rear Clamp Mat	SAS1D017	2