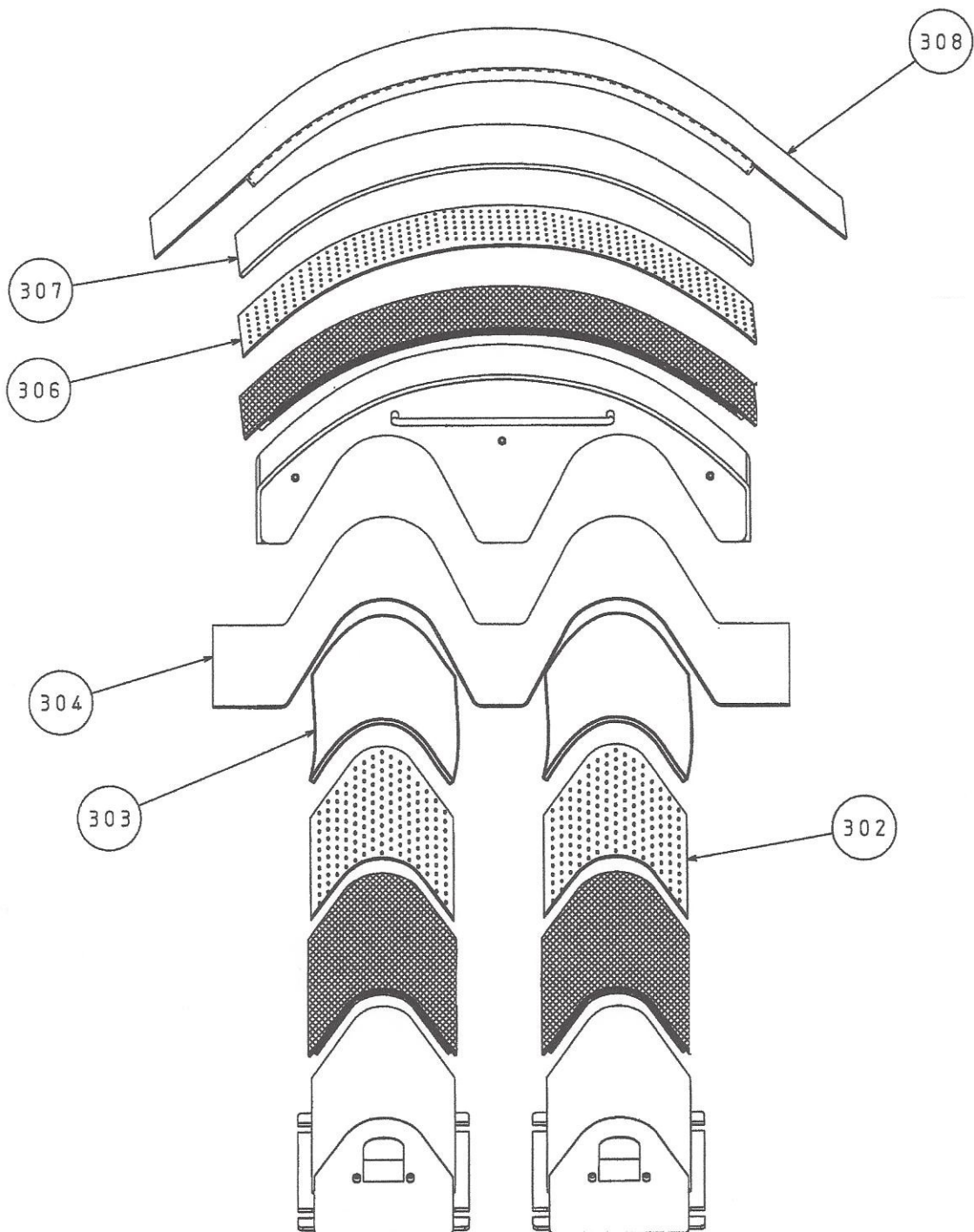


Bezüge CN-660E



BezügeCN-660E

Nr.	Artikelbezeichnung	Bestellnummer	Menge
302	Cuff Silicone Mat	SAS1C006	2
303	Cuff Felt Pad	SAS1C005	2
304	Cuff Nomex Cover	SAS1C004	1
306	Collar Silicone Mat	SAS1C003	1
307	Collar Felt Pad	SAS1C002	1
308	Collar Nomex Cover	SAS1C001	1