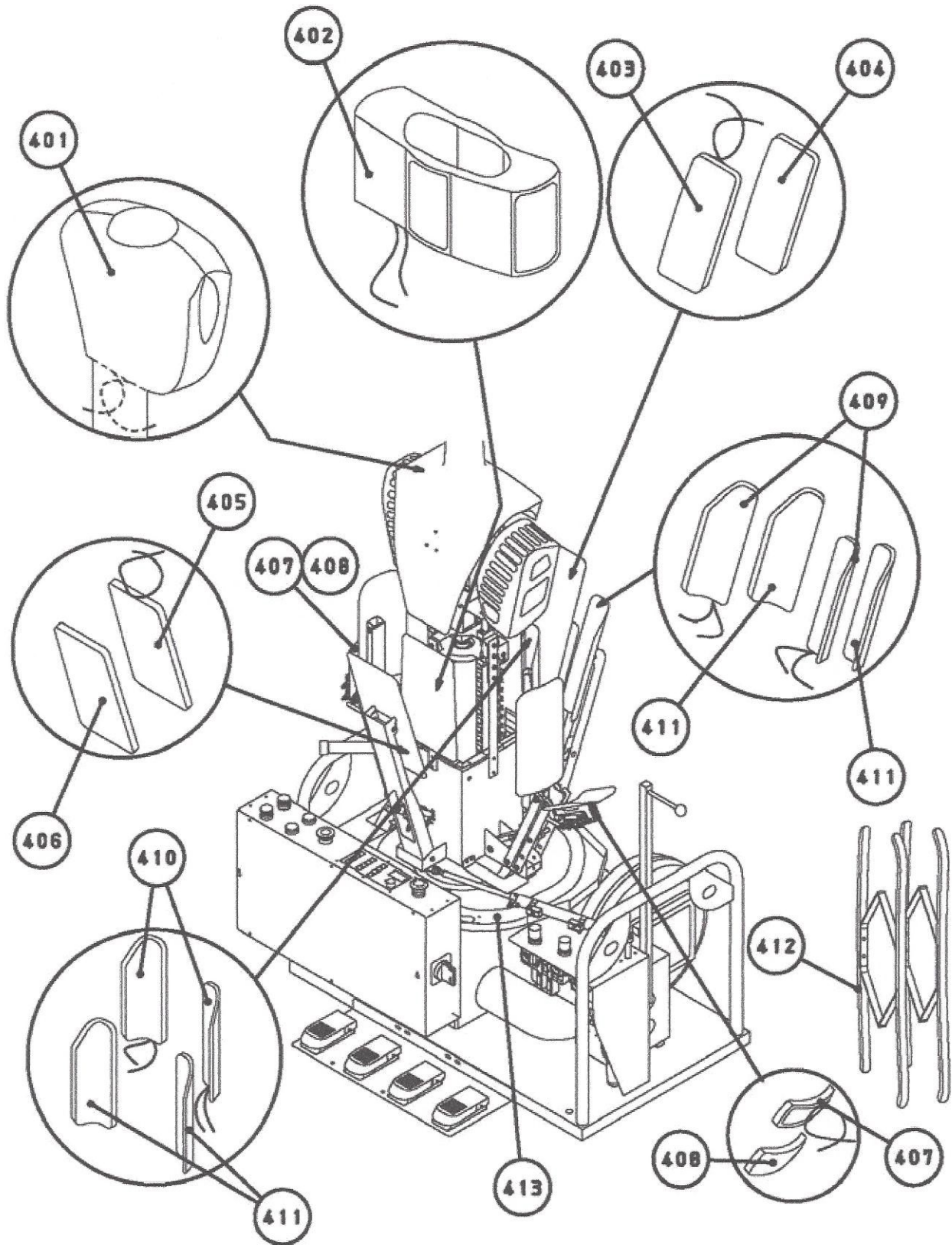


Bezüge DF-100E



Bezüge DF-100E

Nr.	Artikelbezeichnung	Bestellnummer	Menge
401	Upper Body Cover	SAS1D032	1
402	Lower Body Cover	SAS1D057	1
403	Wire Fillet Rear Clamp Cover	SAS1D059	1
404	Rear Clamp Mat	SAS1D051	1
405	Wire Fillet Front Clamp Cover	SAS1D058	1
407	Wire Fillet Side Clamp Cover Left and Right	SAS1D060	2
408	Side Clamp Mat	SAS1D053	2
409	Wire Fillet Side Vents Clamp Cover Left/Right	SAS1D061	1
410	Side Vents Clamp Holder Cover Left/Right	SAS1D056	4