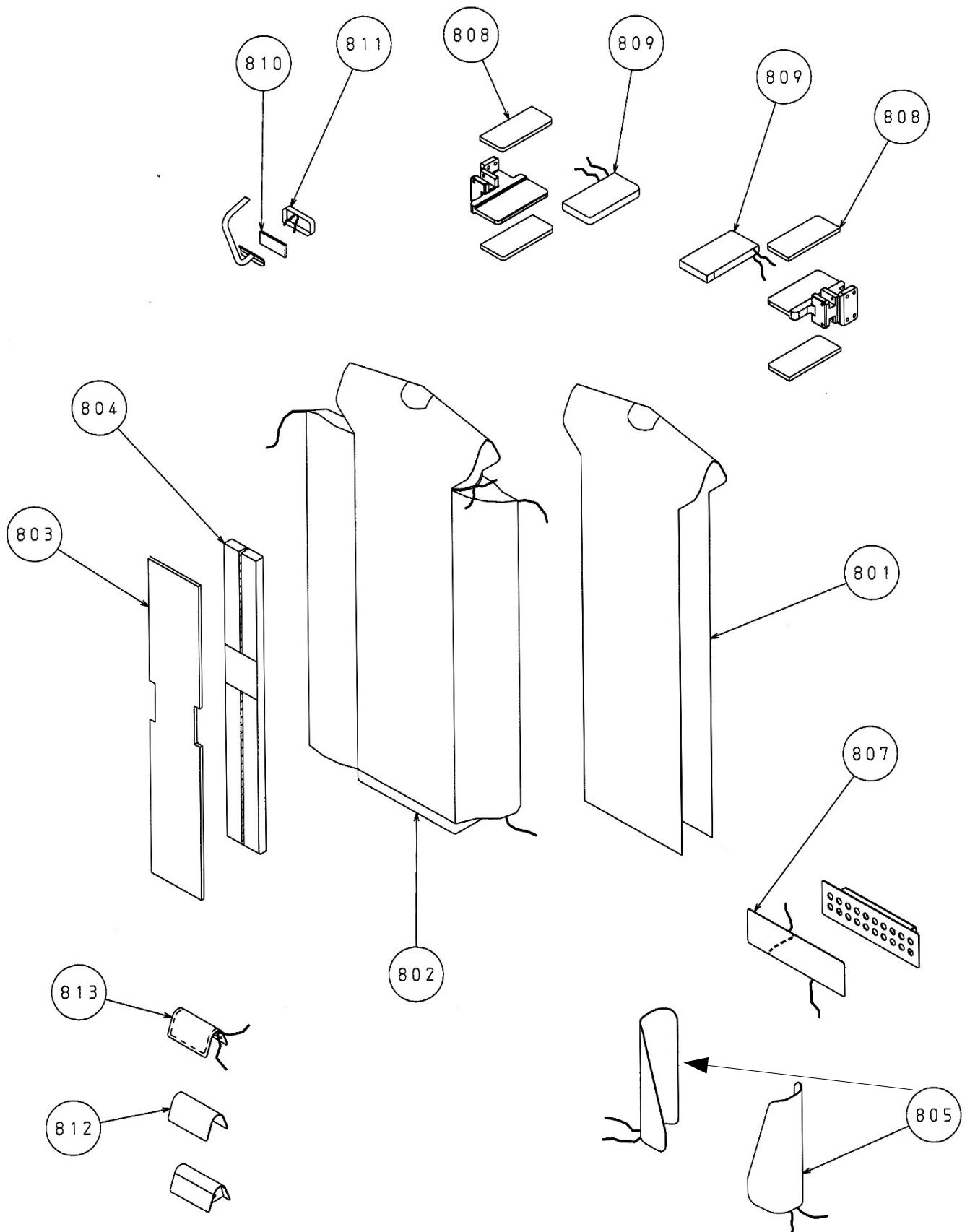


Bezüge DF-550E

ab Seriennummer 26006



Bezüge DF-550E

Nr.	Artikelbezeichnung	Bestellnummer	Menge
801	Body Felt Pad	SAS1D539	1
802	Body Cover	SAS1D538	1
803	Front Press Silicone	SAS1D541	1
804	Front Press Cover	SAS1D540	1
805	Side Expander Cover	SAS1D140	2
807	Tail Clamp Cover	SAS1D136	1
808	Cuff Clamp Silicone	SAS1D139	4
809	Cuff Clamp Cover	SAS1D138	2
810	Neck Clamp Silicone	SAS1B016	1
811	Neck Clamp Cover	SAS1B015	1
812	Shoulder Expander Felt Pad	SAS1D142	2
813	Shoulder Expander Cover	SAS1D141	2