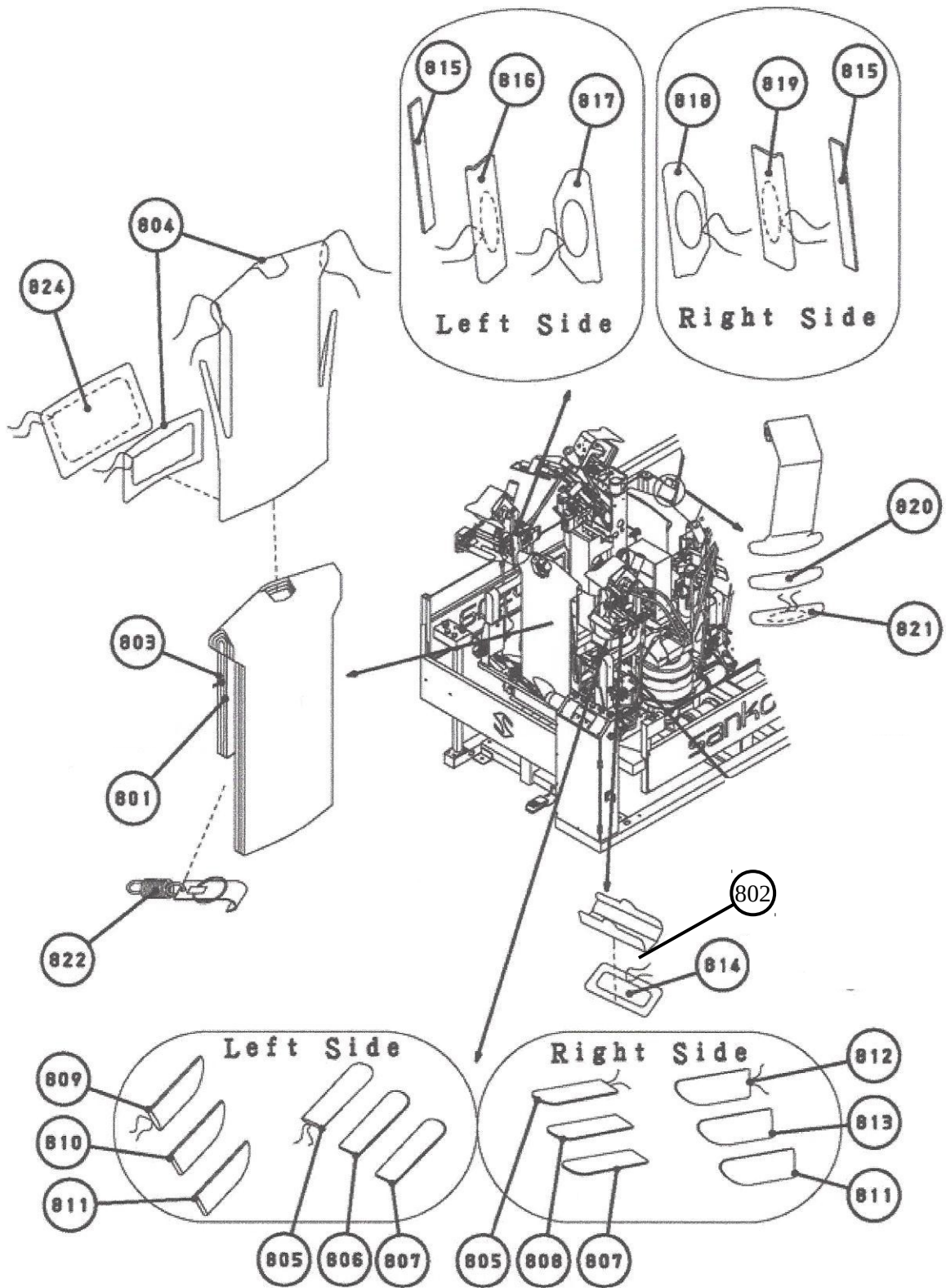


LP-185E



Alle Bezüge LP-185E

Nr.		Artikelbezeichnung	Artikelnummer
801	Body Silicone	SAS1B555	2
802	Manschettenklammer Silicon	SAS1B084	4
803	Body Felt Pad Upper	SAS1B554	2
804	Oberbezug	SAS1B553	2
805	Front Tuck Cover	SAS1B062	4
806	Front Tuck Felt Pad Left	SAS1B063	2
807	Front Tuck Silicone	SAS1B065	4
808	Front Tuck Felt Pad Right	SAS1B064	2
809	Rear Tuck Cover Left	SAS1B066	2
810	Rear Tuck Felt Pad Left	SAS1B067	2
811	Rear Tuck Silicone	SAS1B070	4
812	Rear Tuck Cover Right	SAS1B068	2
813	Rear Tuck Felt Pad Right	SAS1B069	2
814	Cuff Clamp Cover	SAS1B071	4
815	Silicon Klettband 210mm	SAS1T002	4
816	Short Sleeve Holder Cover Left	SAS1B559	2
817	Short Sleeve Cover Left	SAS1B557	2
818	Short Sleeve Cover Right	SAS1B558	2
819	Short Sleeve Holder Cover Right	SAS1B560	2
820	Neck Clamp Silicone Small	SAS1B023	2
821	Neck Clamp Cover Small	SAS1B022	2
822	Feder Befestigung Bezug	SACSP-UNT-001	8
824	Tail Clamp Cover	SAS1B556	2