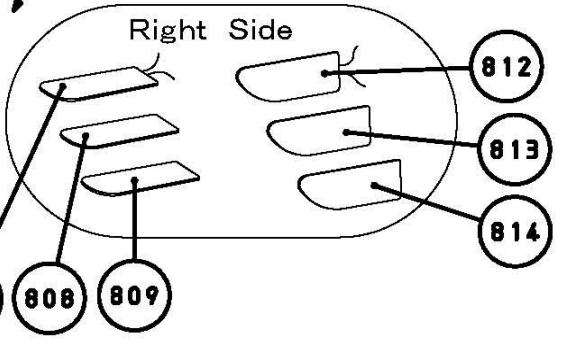
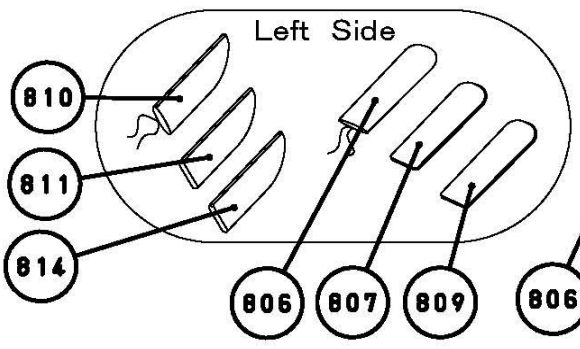
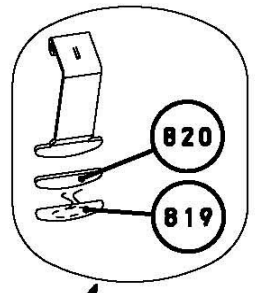
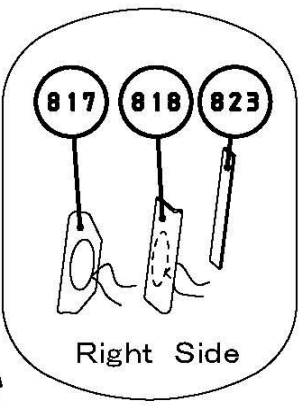
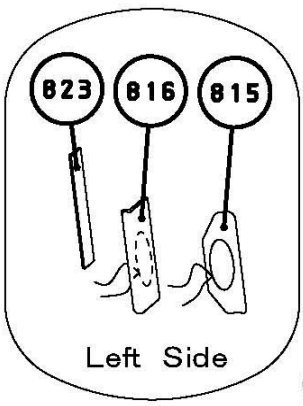
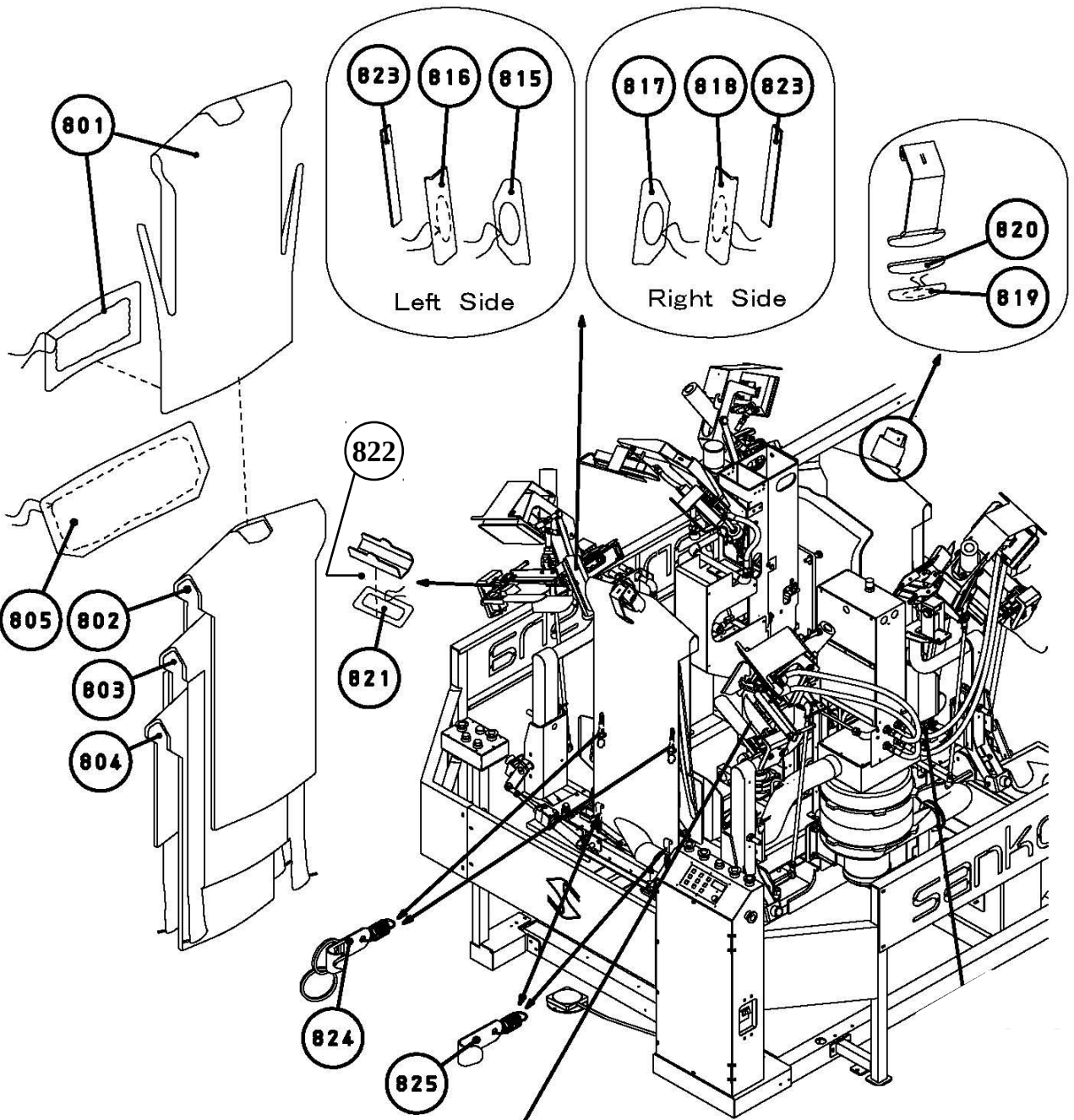


LP-190E



Alle Bezüge LP-190E

Nr.		Artikelbezeichnung	Artikelnummer
801	Oberbezug	SAS1B562	2
802	Body Felt Pad Upper	SAS1B563	2
803	Body Felt Pad Lower	SAS1B564	2
804	Body Silicone	SAS1B565	2
805	Tail Clamp Cover	SAS1B566	2
806	Front Tuck Cover	SAS1B062	4
807	Front Tuck Felt Pad Left	SAS1B063	2
808	Frant Tuck Felt Pad Right	SAS1B064	2
809	Front Tuck Silicone	SAS1B065	4
810	Rear Tuck Cover Left	SAS1B066	2
811	Rear Tuck Cover Felt Pad Left	SAS1B067	2
812	Rear Tuck Cover Right	SAS1B068	2
813	Rear Tuck Cover Felt Pad Right	SAS1B069	2
814	Rear Tuck Silicone	SAS1B070	4
815	Short Sleeve Cover Left	SAS1B557	2
816	Short Sleeve Holder Cover Left	SAS1B559	2
817	Short Sleeve Cover Right	SAS1B558	2
818	Short Sleeve Holder Cover Right	SAS1B560	2
819	Neck Clamp Cover Small	SAS1B022	2
820	Neck Clamp Silicone Small	SAS1B023	2
821	Cuff Clamp Cover	SAS1B071	4
822	Manschettenklammer Silicon	SAS1B084	4
823	Silicon Klettband 210mm	SAS1T002	4
824	Feder Befestigung Bezug	SACSP-UNT-016	4
825	Feder Befestigung Bezug	SACSP-UNT-016	4