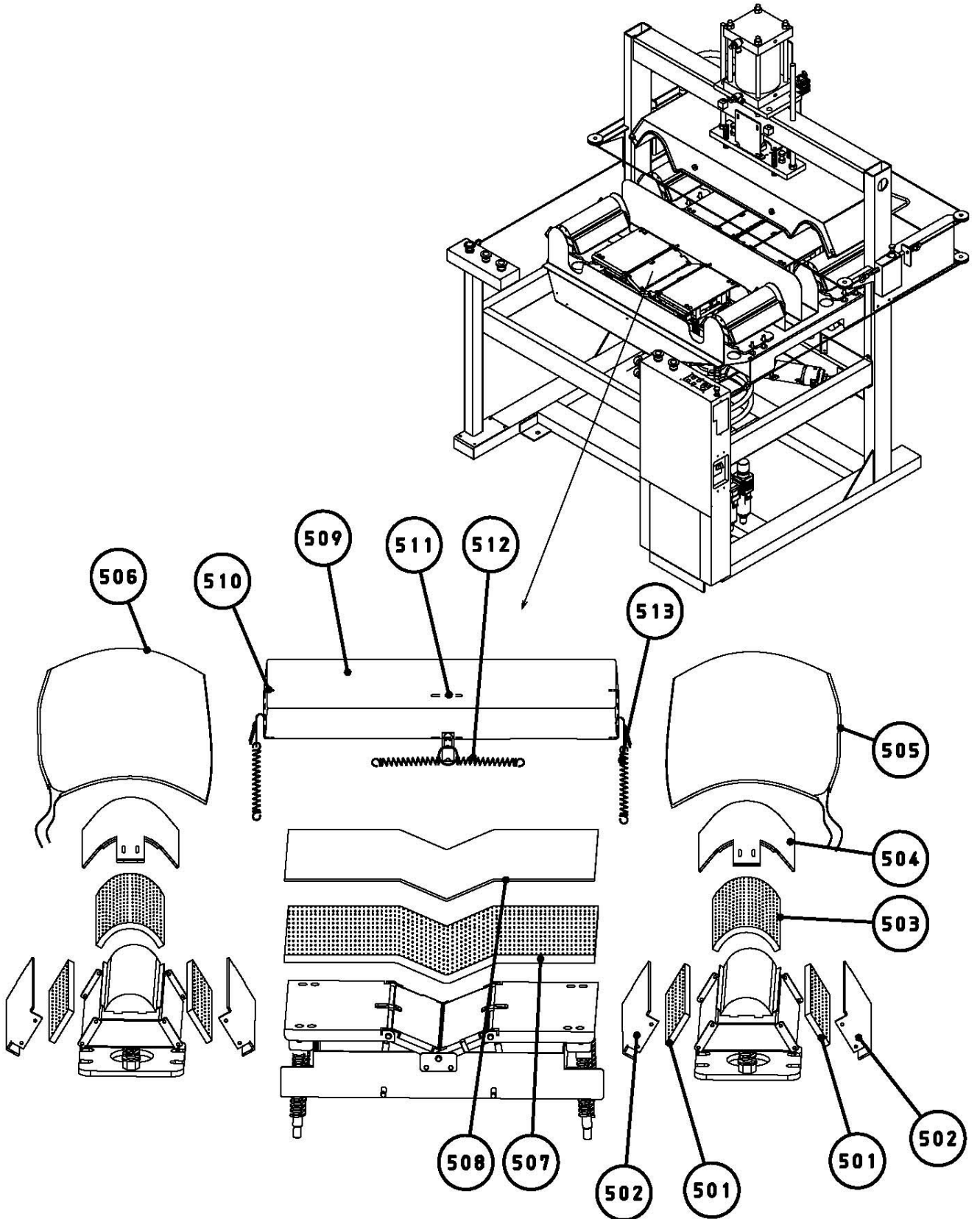


LP-370 & 370-V2

(Cover Diagram) REV:1

3DLP370U-V2-055-1



Cover Diagram

REV :1

Nr.	Artikelbezeichnung	Artikelnummer	Menge	Remarks
501	Cuff Silicon Sponge30(Small)	SASIC100	8	
502	Cuff Double Felt Pad(Small)	SASIC098	8	
503	Cuff silicon sponge (Large)	SASIC099	4	
504	Cuff Double Felt Pad(Large)	SASIC097	4	
505	Cuff cover(Right)	SASIC095	2	
506	Cuff cover (Left)	SASIC096	2	
507	Collar silicon sponge	SASIC094	2	
508	Collar felt pad 10mm	SASIC093	2	
509	Collar cover	SASIC092	2	
510	Cover extension rod (long)	LP370J-V1-711	4	
511	Cover extension rod (short)	CN690-307	4	
512	Cover spring set	CPS-UNT-006	8	
513	Cover spring set	CPS-UNT-005	8	