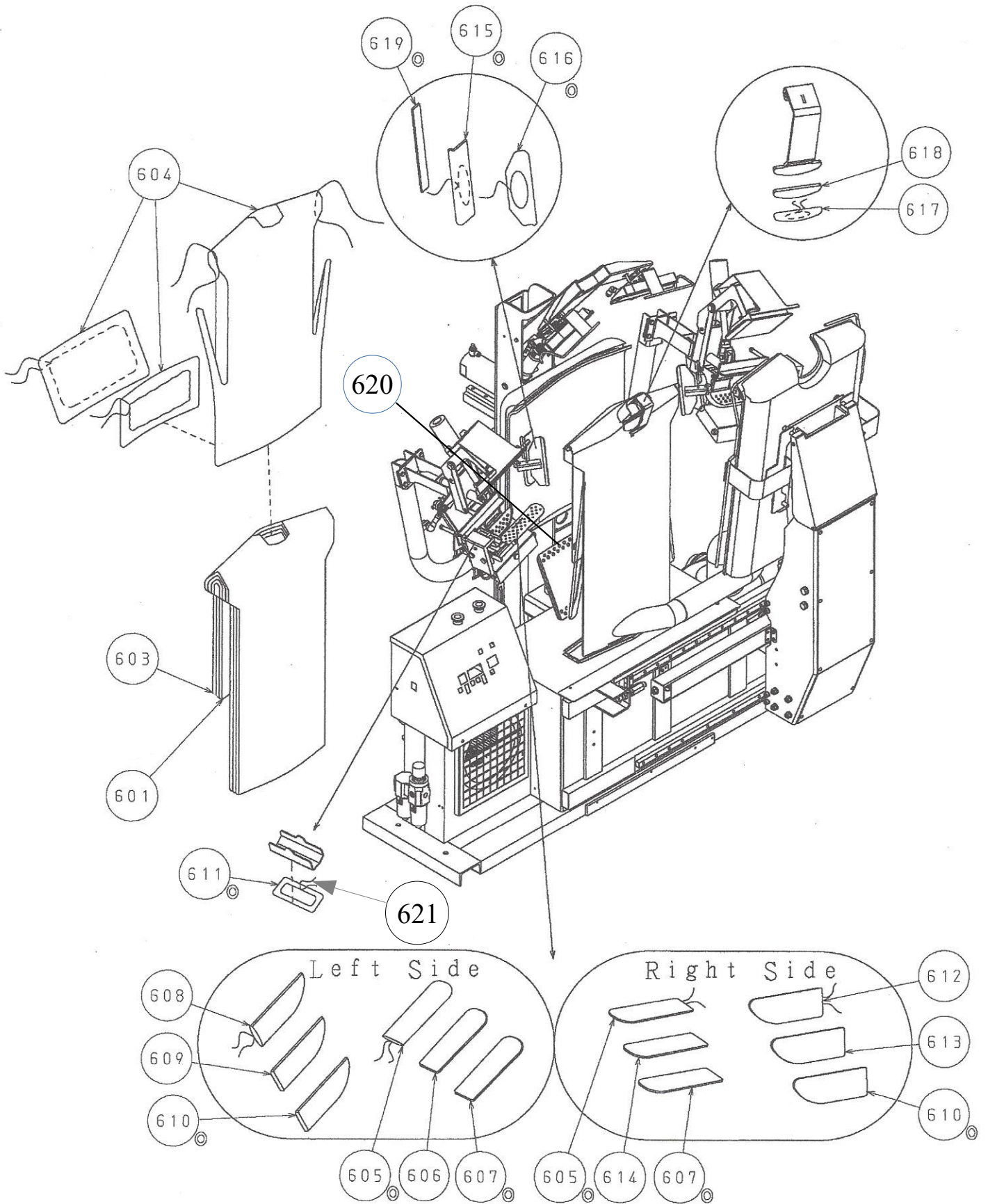


Alle Bezüge LP-570E-V2



Bezüge LP-570E-V2

Nummer	Artikelname	Artikelnr.	Stück	Info
601	Body Silicone	SAS1B555	1	
602	Body Felt Pad 13mm	SAS1B554	1	
604	Oberbezug	SAS1B553	1	
605	Tuck Cover Front	SAS1B062	2	
606	Tuck Felt Pad Front Left	SAS1B0663	1	
607	Tuck Silicone Front	SAS1B065	2	
608	Tuck Cover Rear Left	SAS1B066	1	
609	Tuck Felt Pad Front	SAS1B067	1	
610	Tuck Silicone Rear	SAS1B070	2	
611	Tuck Clamp Cover	SAS1B071	2	
612	Tuck Cover Rear Right	SAS1B068	1	
613	Tuck Felt Pad Rear Right	SAS1B069	1	
614	Tuck Felt Pad Front Right	SAS1B064	1	
615	Short Sleeve Lower Cover	SAS1B028	2	
616	Short Sleeve Cover	SAS1B017	2	
617	Neck Clamp Cover	SAS1B022	1	
618	Neck Clamp Silicone	SAS1B023	1	
619	Silicone Adhesive Tape	SAST002	2	
620	Tail Clamp Cover	SAS1B556	1	
621	Manschettenklammer Silicon	SAS1B084	2	



sankosha
PRESS AND PROGRESS