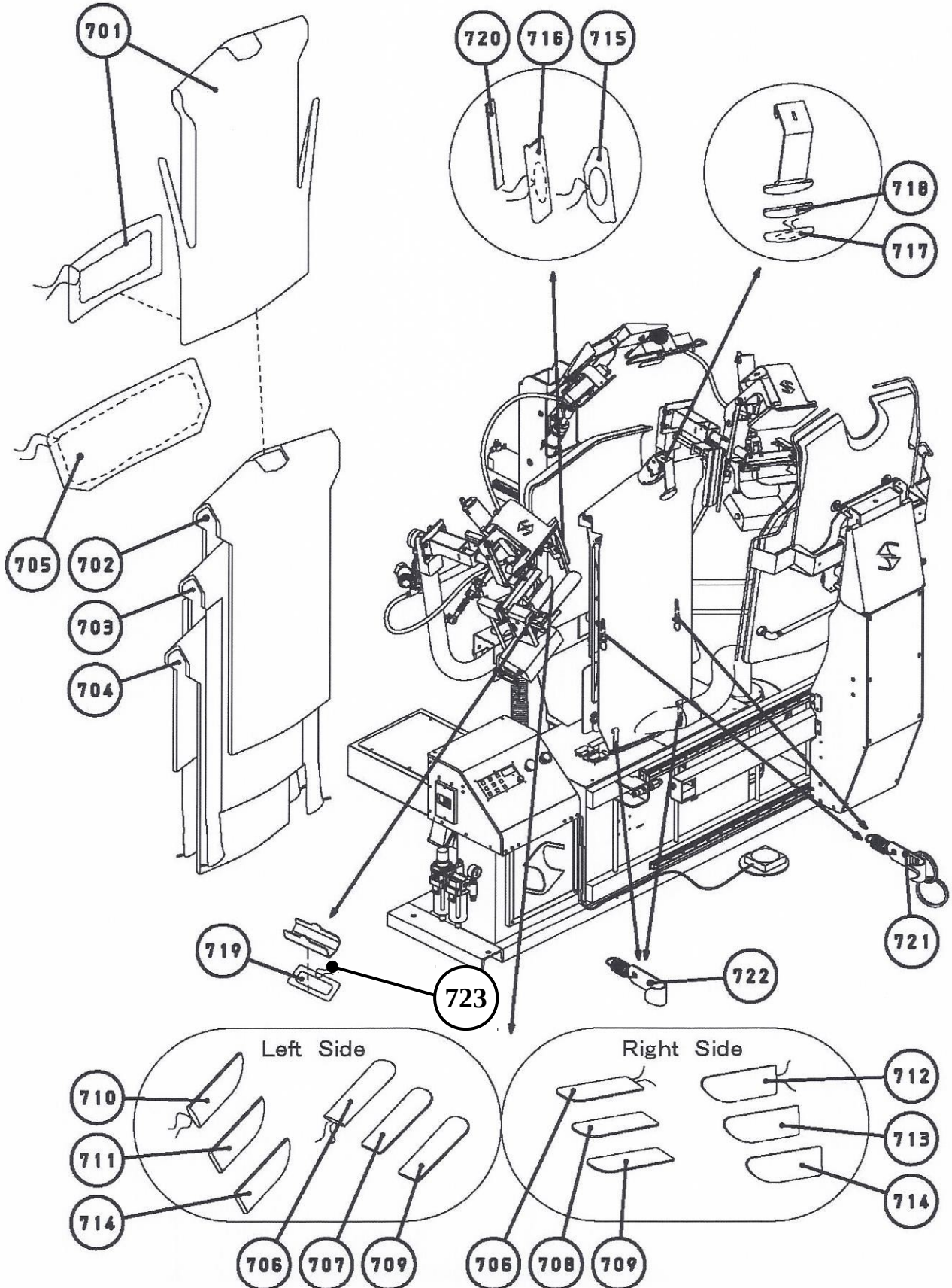


LP-580E-V2



Alle Bezüge LP-580E-V2

Nr.		Artikelbezeichnung	Artikelnummer
701	Oberbezug	SAS1B562	1
702	Body Felt Pad Upper	SAS1B563	1
703	Body Felt Pad Lower	SAS1B564	1
704	Body Silicone	SAS1B565	1
705	Tail Clamp Cover	SAS1B566	1
706	Front Tuck Cover	SAS1B062	2
707	Front Tuck Felt Pad Left	SAS1B063	1
708	Frant Tuck Felt Pad Right	SAS1B064	1
709	Front Tuck Silicone	SAS1B065	2
710	Rear Tuck Cover Left	SAS1B066	1
711	Rear Tuck Cover Felt Pad Left	SAS1B067	1
712	Rear Tuck Cover Right	SAS1B068	1
713	Rear Tuck Cover Felt Pad Right	SAS1B069	1
714	Rear Tuck Silicone	SAS1B070	2
715	Short Sleeve Cover	SAS1B017	2
716	Short Sleeve Holder Cover	SAS1B028	2
717	Neck Clamp Cover Small	SAS1B022	1
718	Neck Clamp Silicone	SAS1B023	1
719	Cuff Clamp Cover	SAS1B071	2
720	Silicon Klettband 210mm	SAS1T002	1
721	Feder Befestigung Bezug	SACSP-UNT-016	2
722	Feder Befestigung Bezug	SACSP-UNT-017	2
723	Manschettenklammer Silicon	SAS1B084	2