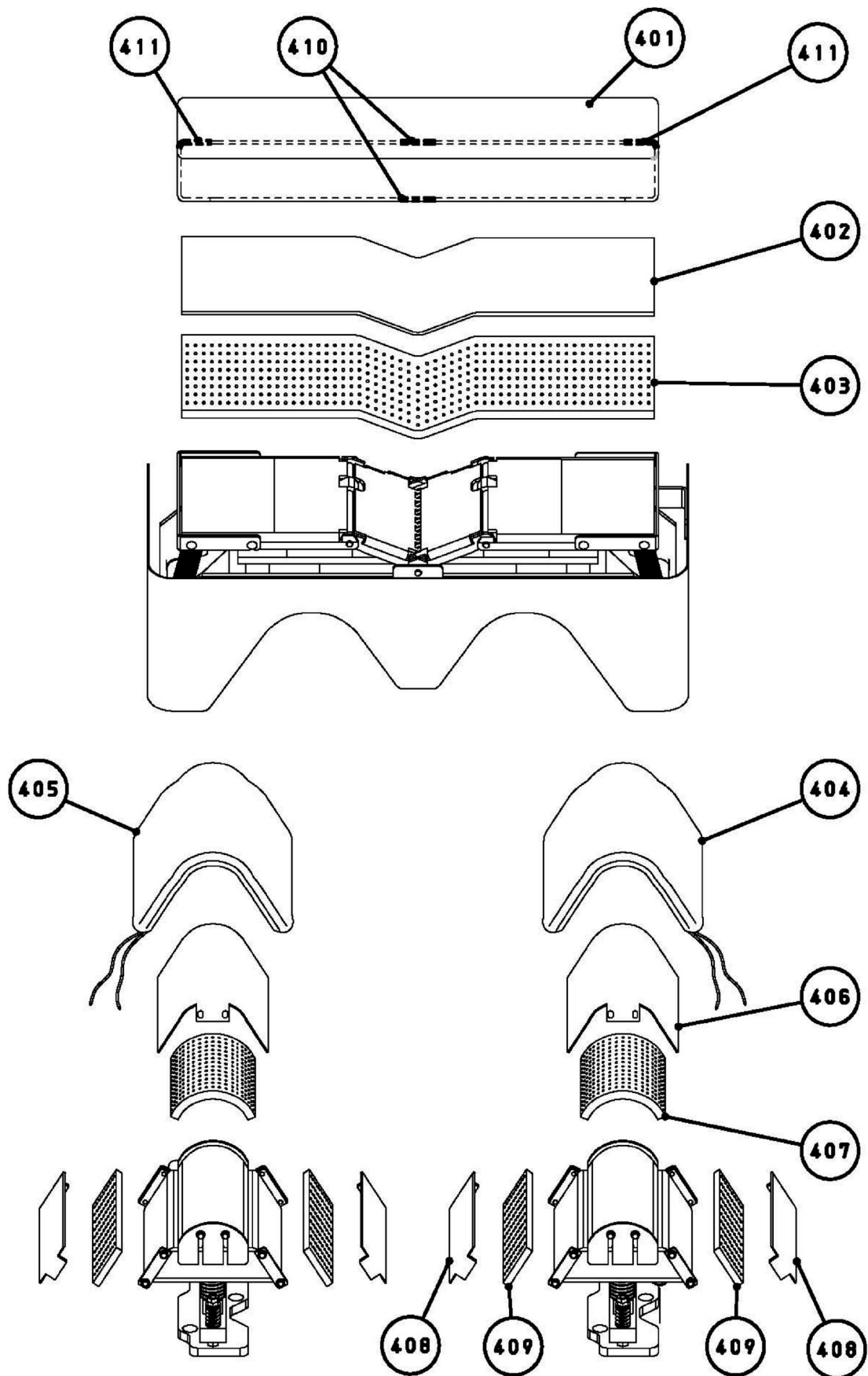


Bezüge LP-690E-V2



Bezüge LP-690E-V2

Nr.	Artikelbezeichnung	Bestellnummer	Menge
401	Collar Cover	SAS1C065	1
402	Collar Felt Pad 10mm	SAS1C066	1
403	Collar Silicone Sponge	SAS1C067	1
404	Cuff Cover Right	SAS1C074	1
405	Cuff Cover Left	SAS1C075	1
406	Cuff Double Felt Pad Large	SAS1C076	2
407	Cuff Silicone Sponge Large	SAS1C078	2
408	Cuff Double Felt Pad Small	SAS1C077	4
409	Cuff Silicone Sponge Small	SAS1C079	4



sankosha[®]
PRESS AND PROGRESS