



sankosha®  
PRESS AND PROGRESS

*Form Finisher*

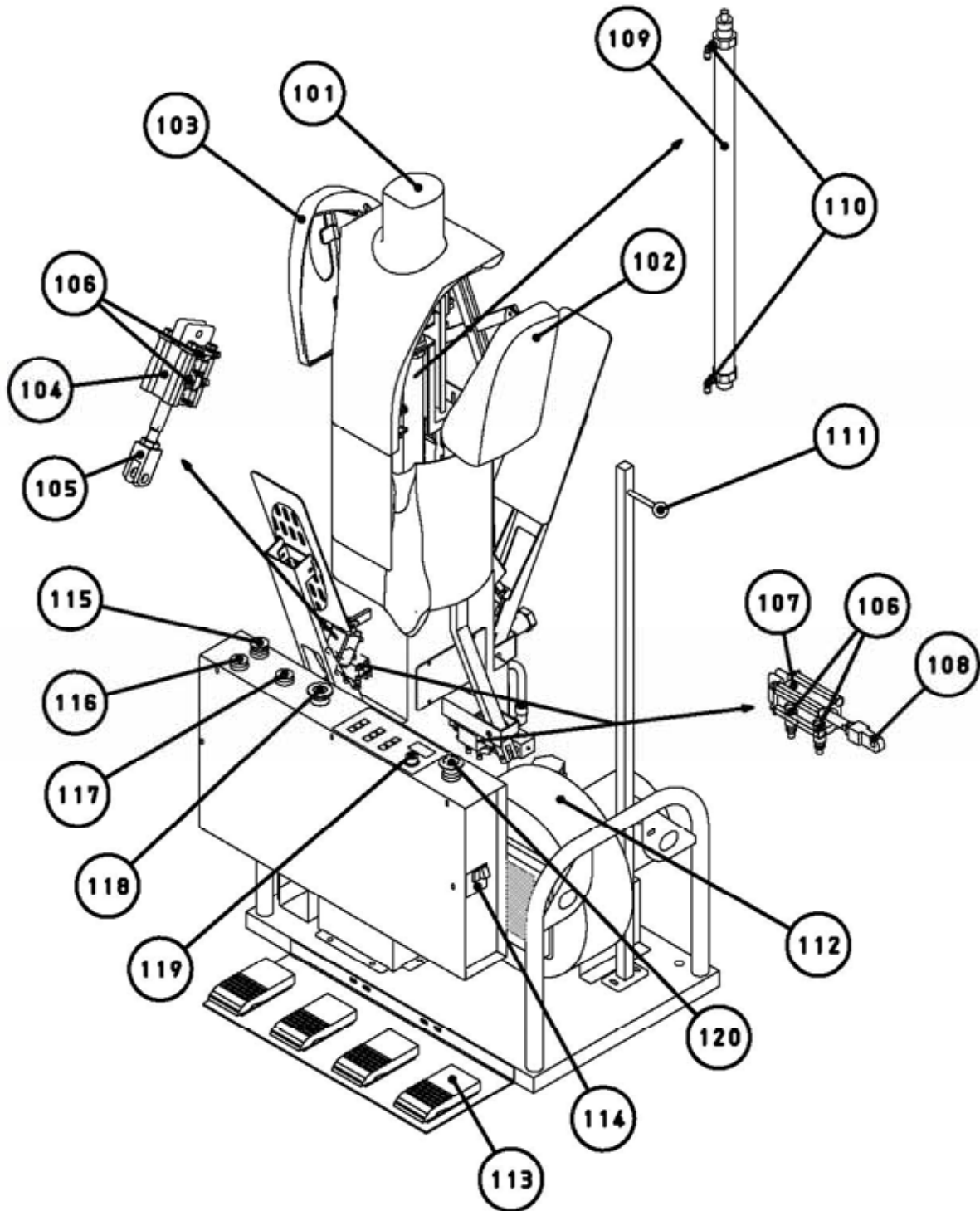
# Spare Parts List

---

**DF-050E-V3 (REV : 1)**

# DF-050E-V3 (Front Diagram) REV:1

3DADF050E-V1-051-1



Front Diagram

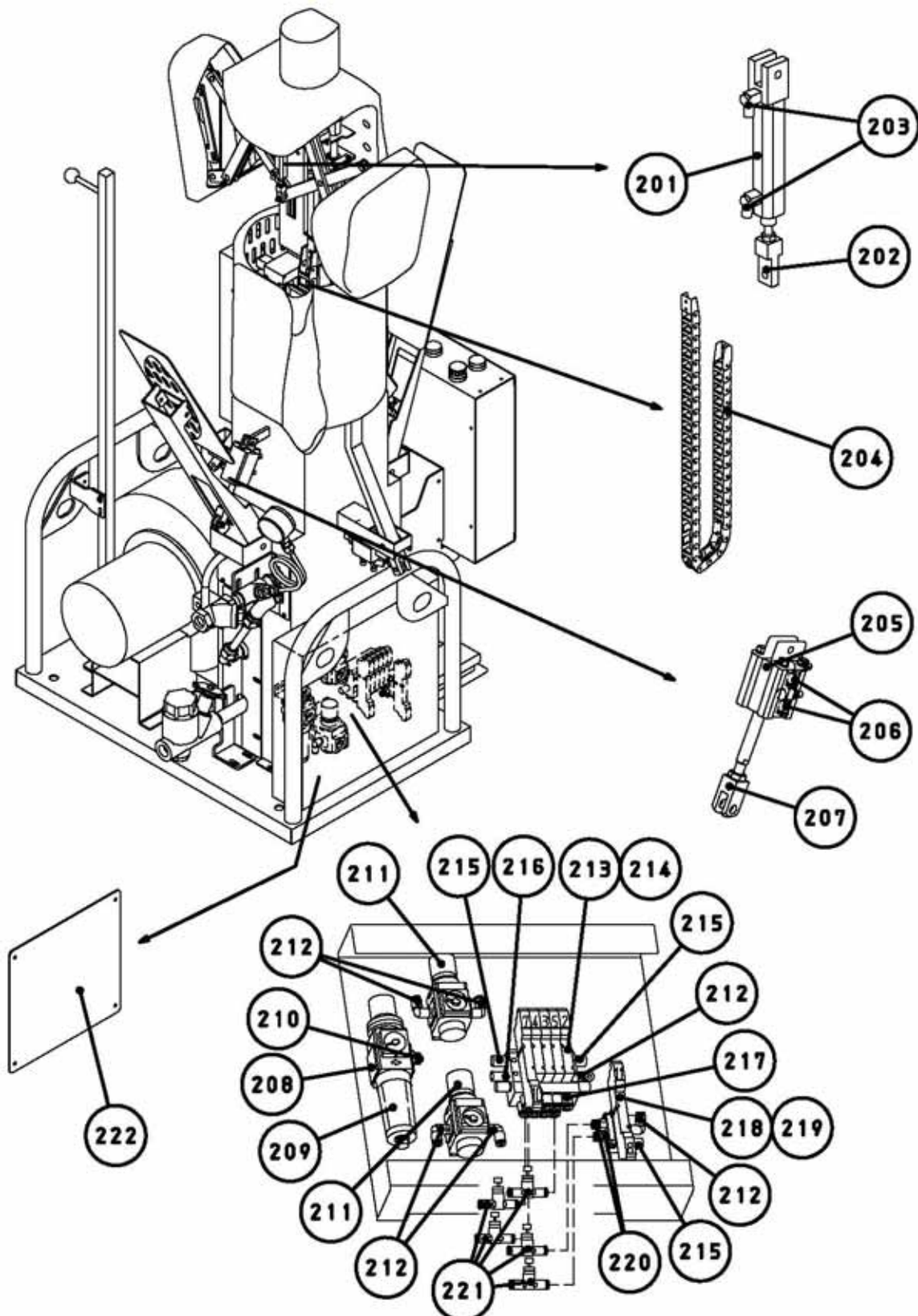
REV:1

No.	Part Name	Part number	Q'ty	Remark
101	DF050J-V2 BODY	Q0D020	1	
102	CN50Shoulder(Right)	Q0D013	1	
103	CN50Shoulder(Left)	Q0D014	1	
104	Cylinder	B1C003	1	Front clamp
	Cylinder packing set	B6H012	1	
105	Knuckle Joint	B6B001	1	
106	Speed Controller	C1A002	6	
107	Cylinder	B1C012	2	Side expander
	Cylinder packing set	B6H023	2	
108	Knuckle Joint	B6A008	2	
109	Cylinder	B2H001	1	Move up/down body
110	Joint	C0C050	2	
111	Grasping ball	E5T002	1	
112	Blower Motor	G1C008	1	
113	Foot Pedal Unit	FP-UNT-004	4	
	Micro Switch	21E003	4	
	Spring	H0D019	4	
114	Breaker	21C004	1	Power
115	Push button switch	21I114	1	Blower
116	Push button switch	21I090	1	Steam
117	Push button switch	21I113	1	Start
118	Push button switch	21I111	1	Reset
	Push button cap	21I044	1	
119	Volume	21D006	1	
120	Push button switch	21I107	1	Emergency

# DF-050E-V3 (Rear Diagram)

REV:1

3DADF050E-V1-052-1



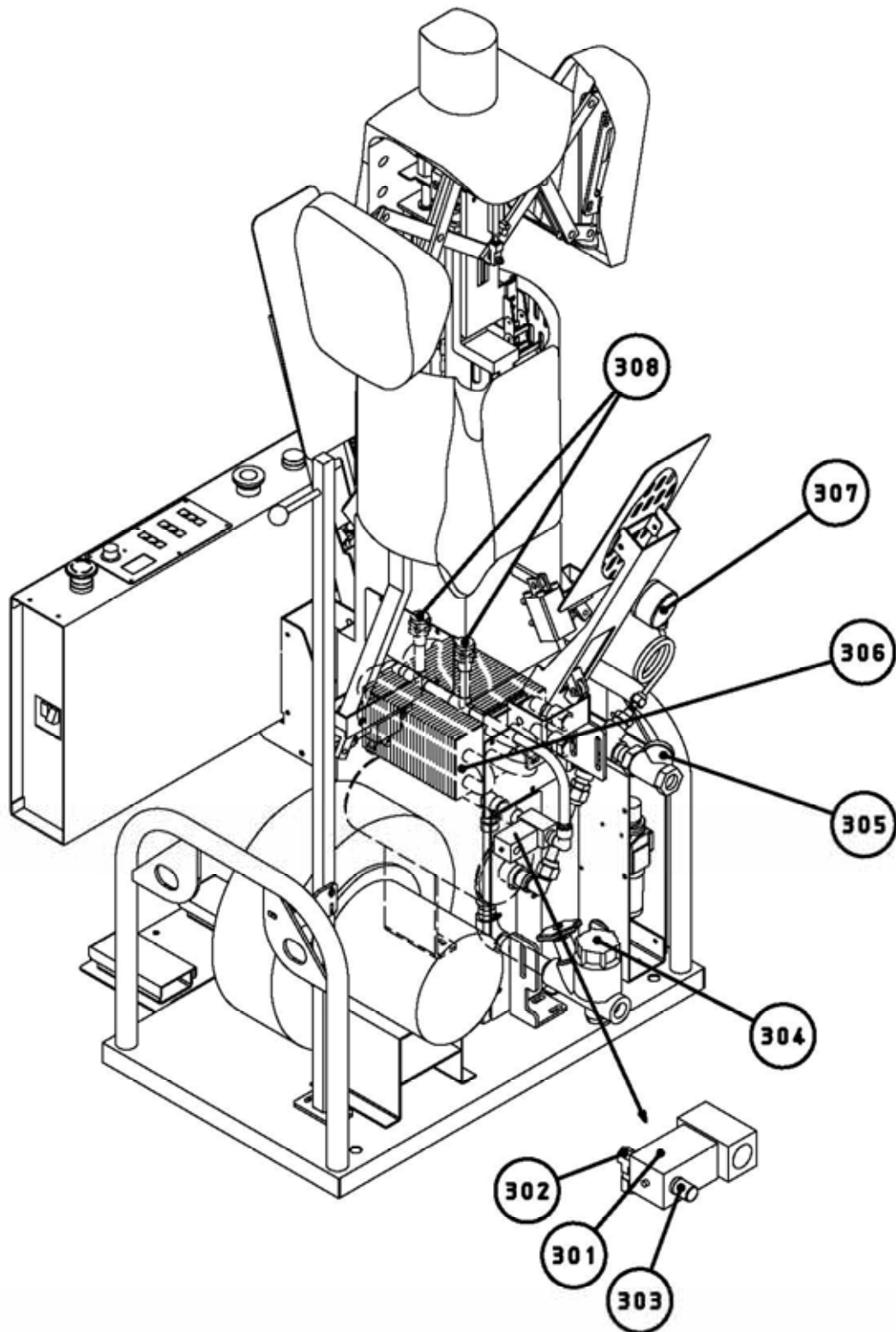
## Rear Diagram

REV:1

No.	Part Name	Part number	Q'ty	Remark
201	Cylinder	B1L004	1	Shoulder expander
202	Joint	B6A007	1	
203	Knuckle Joint	C0B010	2	
204	Cable bear	K1B039	1	
205	Cylinder	B1C004	1	Center vents clamp
	Cylinder packing set	B6H012	1	
206	Speed controller	C1A002	2	
207	Knuckle Joint	B6B001	1	
208	Regulator	D0C003	1	
209	Filter element	D1F003	1	
	Diaphragm assembly	D1H003	1	
	Case assembly	D1J003	1	
210	Joint	C0C005	1	
211	Regulator	D0E005	2	
212	Joint	C0C016	6	
213	Manifold valve	A0F075	1	
214	Valve	A0E012	1	No.2:Open steam
	Valve	A0E012	1	No.3:Close center vents clamp
	Valve	A0E012	1	No.4:Close front clamp
	Valve	A0E012	1	No.5:Open side expand
	Valve	A0E013	1	No.7,10:Move up/down body
	Gasket	A0J016	5	
215	Silencer	C0A003	6	
216	Joint	C0C004	1	
217	Joint	A0J007	9	
218	Manifold valve	A0F076	1	
219	Valve	A0E013	1	No.8,11:Open/Close shoulder expander
	Gasket	A0J016	1	
220	Joint	C0C002	2	
221	Speed controller	C1A007	5	
222	Valve Cover	P0A019	1	

# DF-050E-V3 (Steam Piping) REV:1

3DADF050E-V1-053-1



## Steam Piping

REV:1

No.	Part Name	Part number	Q'ty	Remark
301	Steam valve	A0G013	1	
302	Joint	C0D007	1	
303	Silencer	C0A001	1	
304	Steam trap	J2N001	1	
305	Y type strainer	J2M002	1	
306	Radiator ASSY	RD140-000	1	
307	Pressure gauge	J0A003	1	
308	Steam Nozzle	J0A001	2	