



sankosha®  
PRESS AND PROGRESS

***DF-100E-V3***

**Ersatzteile**

# Spare Parts List

---

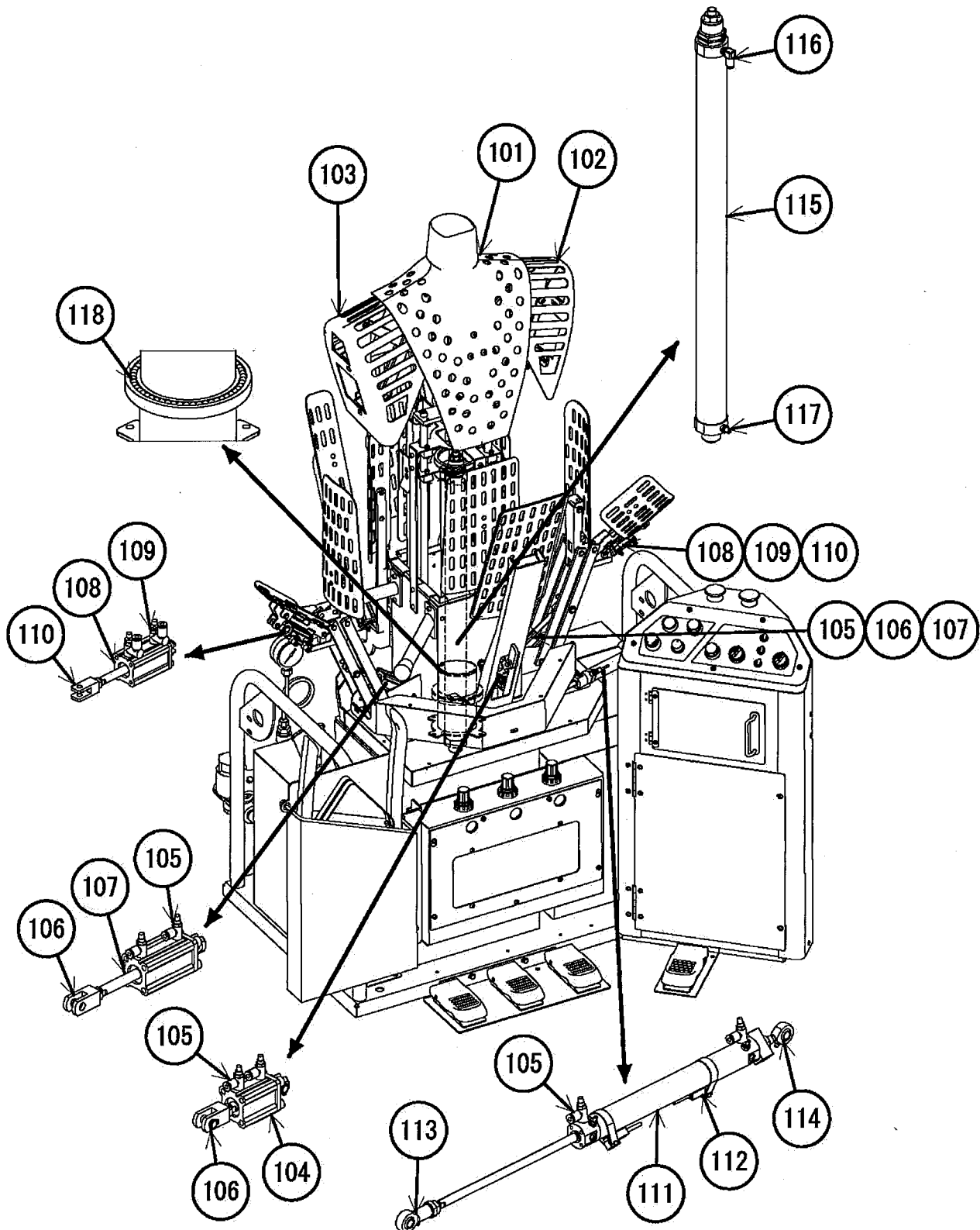
## Index

- 1: Front Diagram**
- 2: Rear Diagram**
- 3: Switch/Solenoid Valve Diagram**
- 4: Steam Piping Diagram**
- 5: Cover Diagram**

# 1 : Front Diagram

REV:1

3DDF100U-V3-051-1



## Front Diagram

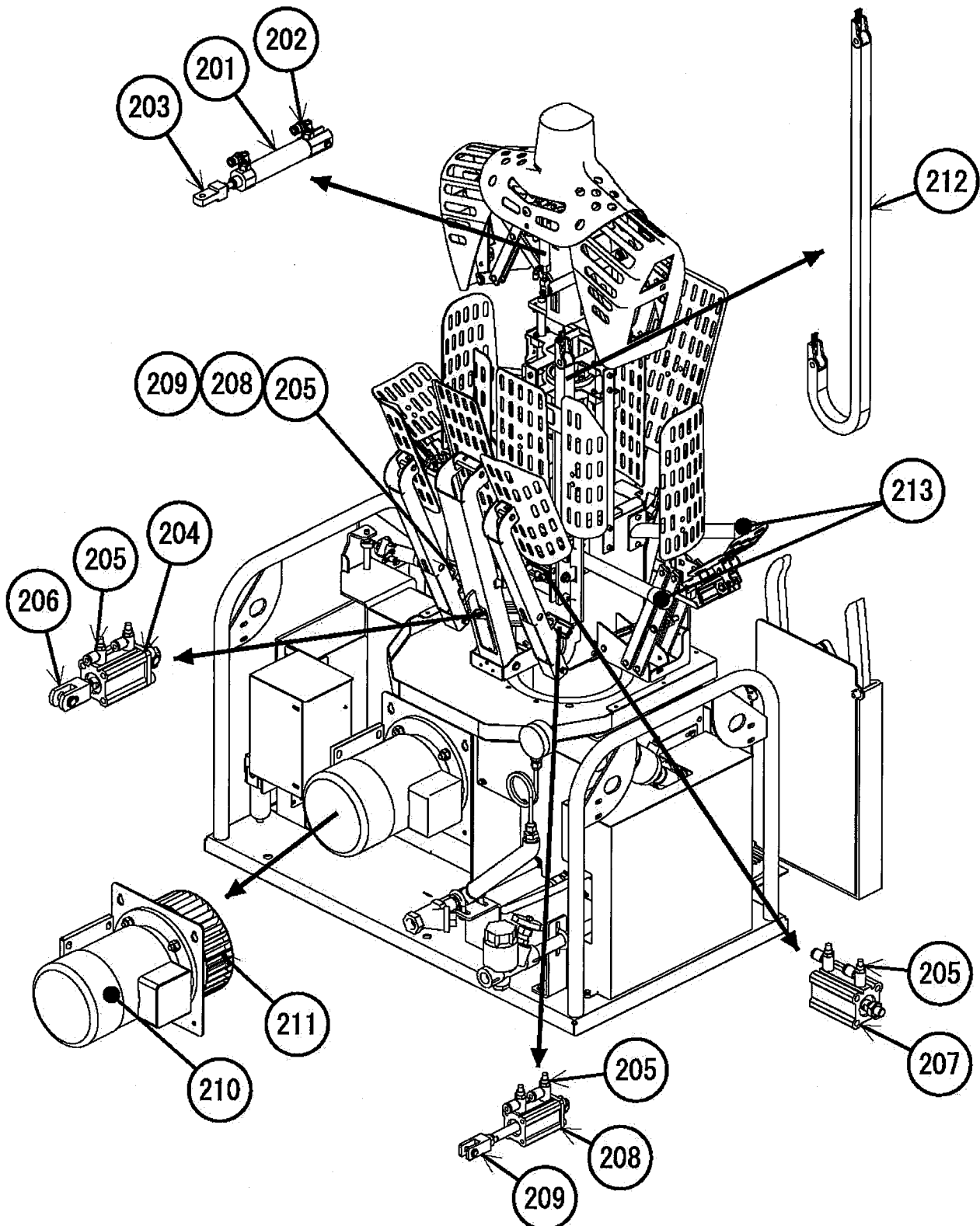
REV: 1

No.	Part Name	Part number	Q'ty	Remark
101	BODY FRP	Q0D210	1	
102	Shoulder (Right) FRP	Q0D211	1	
103	Shoulder (left) FRP	Q0D212	1	
104	Cylinder	B1C003	1	Front Clamp
	Cylinder packing set	B6H012	1	
105	Speed Controller	C1A002	8	
106	Knuckle Joint	B6B001	3	
107	Cylinder	B1C006	2	Side Expander
	Cylinder packing set	B6H012	2	
108	Cylinder	B1C001	2	Side Clamp
	Cylinder packing set	B6H041	2	
109	Speed Controller	C1A005	4	
110	Knuckle Joint	B6B006	2	
111	Cylinder	B0J010	1	BODY Rotation
	Cylinder packing set	B6H002	1	
112	Cylinder sensor	B5A003	2	
	Sensor band	B5B001	2	
113	Rod end	E5A003	1	
114	Rod end	E5B006	1	
115	Cylinder	B2H002	1	BODY Up/Down
116	Joint	C0C050	1	
117	Joint	C0E001	1	
118	Steel ball	Q0A006	54	

## 2 :Rear Diagram

REV:1

3DDF100U-V3-052-1



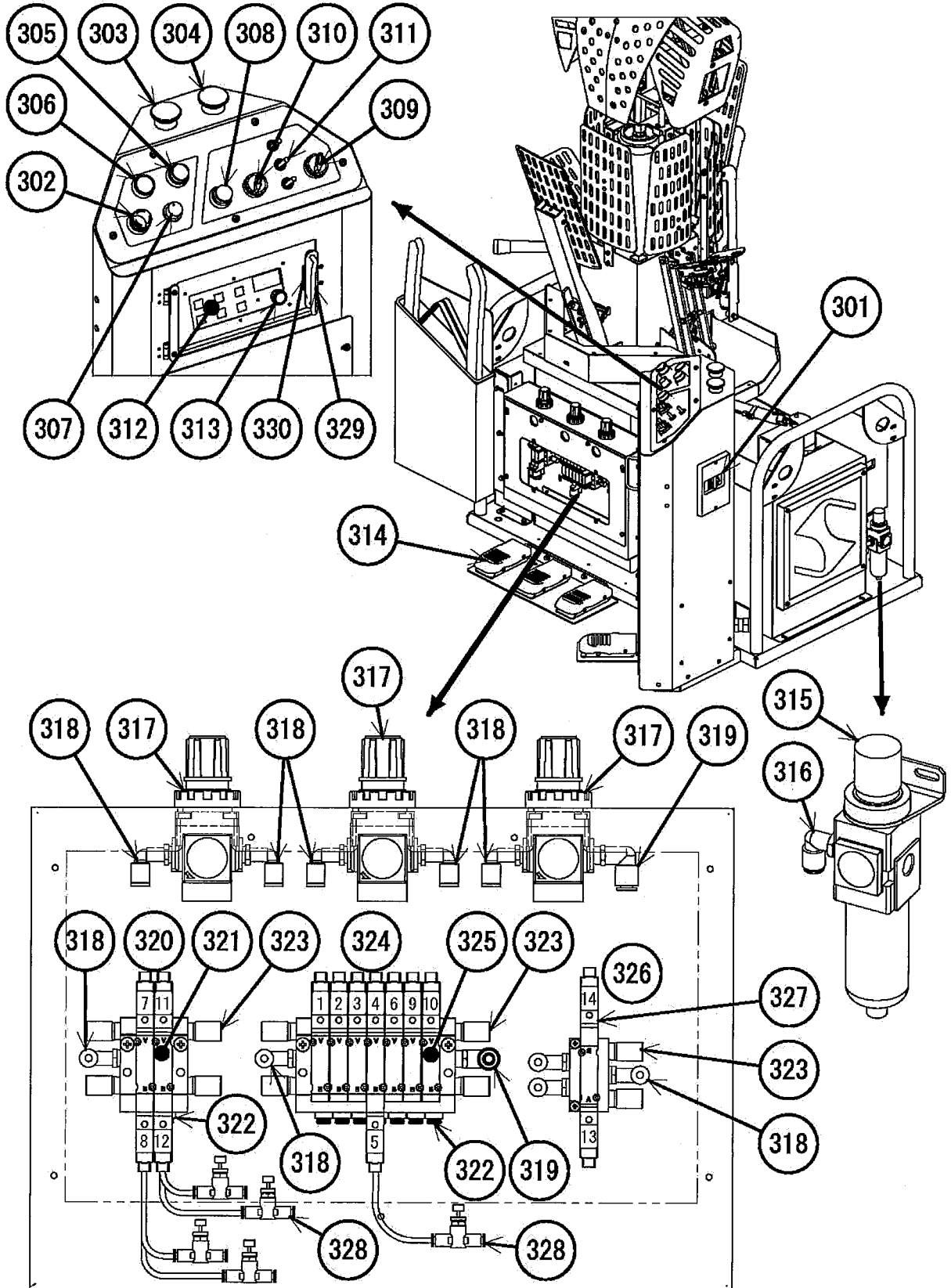
## Rear Diagram

REV:1

No.	Part Name	Part number	Q'ty	Remark
201	Cylinder	B1L004	1	Shoulder Expander
202	Joint	C0B010	2	
203	Knuckle Joint	B6A007	1	
204	Cylinder	B1C011	1	Center Vents Clamp
	Cylinder packing set	B6H012	1	
205	Speed Controller	C1A002	10	
206	Knuckle Joint	B6B001	1	
207	Cylinder	B1A016	2	Wide Side Vents
	Cylinder packing set	B6H017	2	
208	Cylinder	B1C013	2	Side Vents Clamp
	Cylinder packing set	B6H052	2	
209	Knuckle Joint	B6B006	2	
210	Motor	G0H005	1	
211	Blower Fan	G2B023	1	
212	Cable bear	K1B039	1	
213	Rubber	E5V008	2	

# 3 : Switch/Solenoid Valve Diagram REV:1

3DDF100U-V3-053-1



## Switch/Solenoid Valve Diagram

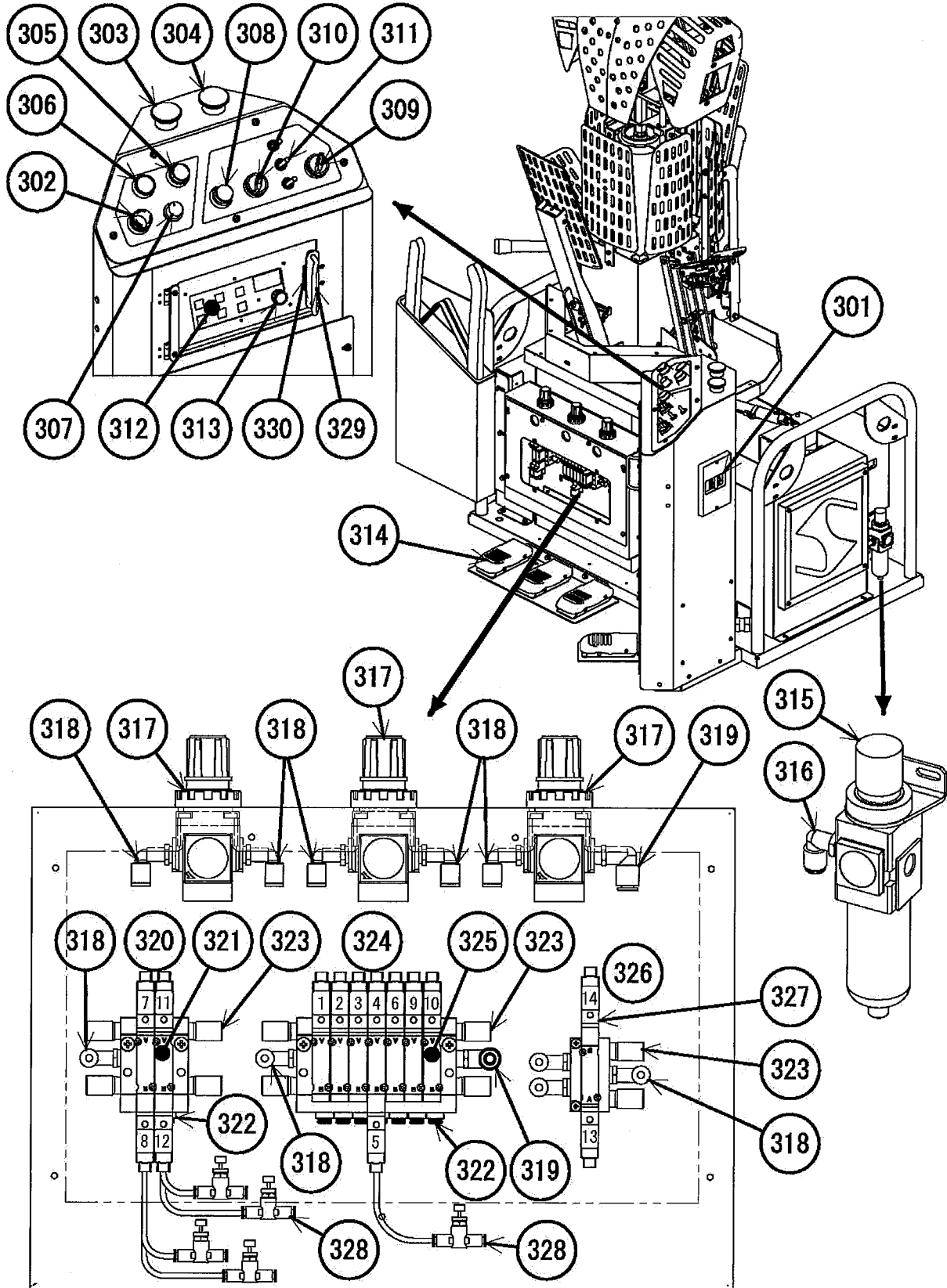
REV: 1

No.	Part Name	Part Number	Q'ty	Remark
301	Breaker Switch	21C007	1	
302	Push Button Switch	21I151	1	Emergency
303	Push Button Switch	21I111	1	Reset
	Push button cap	21I044	1	
304	Push Button Switch	21I168	1	Rotation
305	Push Button Switch	21I166	1	Blower
306	Push Button Switch	21I090	1	Steam
307	RESISTOR	21J003	1	Blower Power Adjustment
	Knob	21D010	1	
308	Push Button Switch	21I148	1	Auto Start
309	Selection Switch	20O001	1	Mode Selection
310	Selection Switch	20O007	1	Timer Selection
311	Toggle Switch	20L013	3	
312	Control Panel	11U417	1	
313	Knob	21D006	1	
314	Foot Pedal Unit	FP-UNT-025	4	
	Micro Switch	21E003	4	
	Foot Pedal Spring	H0D019	4	
315	Filter Regulator	D0C004	1	
316	Joint	C0C019	1	
317	Regulator	D0E026	3	
318	Joint	C0C016	10	
319	Joint	C0C018	1	
320	Manifold Valve	A0F153	1	
321	Solenoid Valve	A0E013	1	No.7,8:Body Up/Down
	Solenoid Valve	A0E013	1	No.11,12:Shoulder Expander Open/Closes
322	Joint(φ 4)	A0J007	17	
323	Silencer	C0A003	10	



# 3 : Switch/Solenoid Valve Diagram REV:1

3DDF100U-V3-053-1



## Switch/Solenoid Valve Diagram

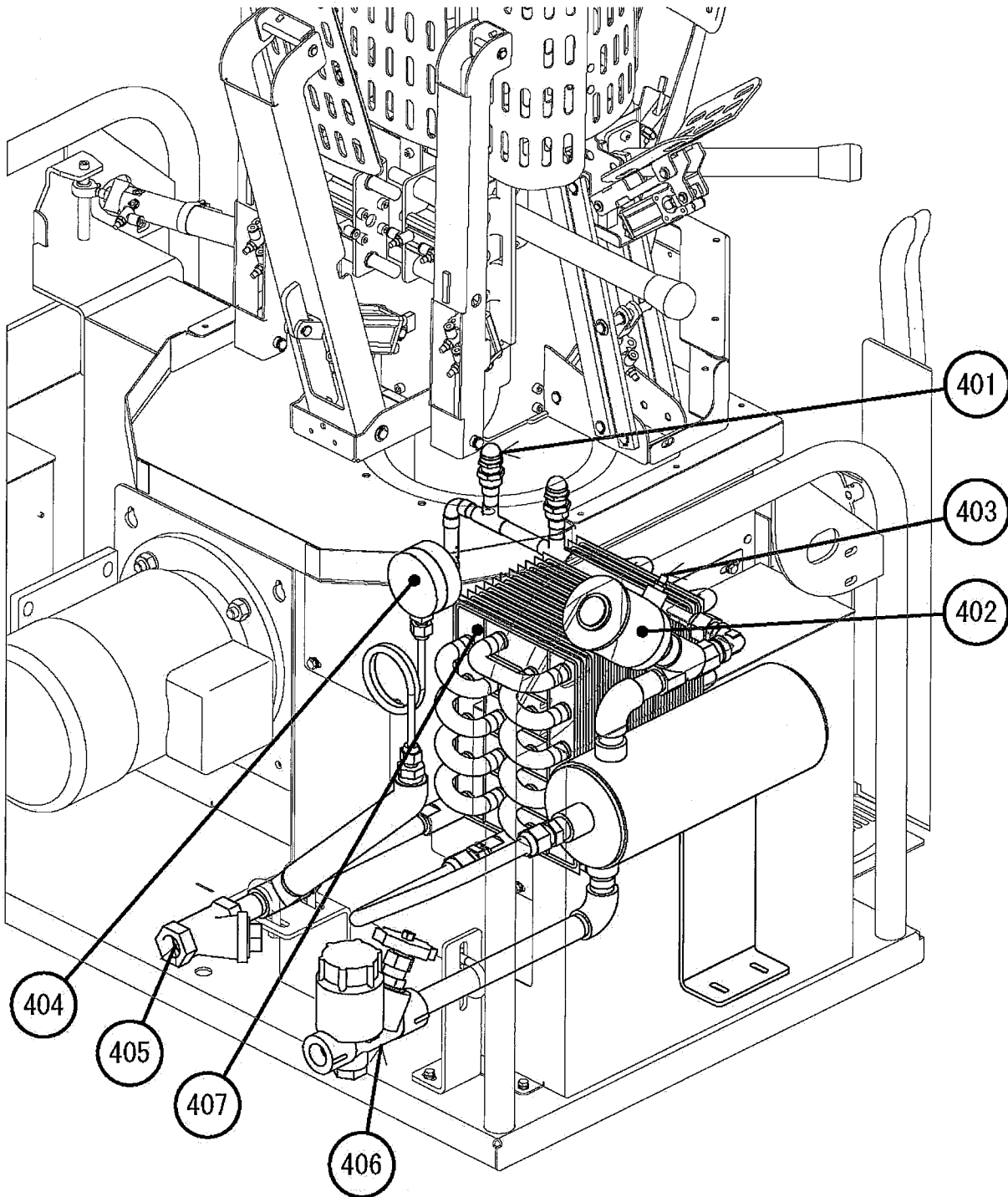
REV: 1

No.	Part Name	Part number	Q'ty	Remark
324	Manifold valve	A0F154	1	
325	Valve	A0E012	1	No.1:Open Steam
	Valve	A0E012	1	No.2:Close Center Vents Clamp
	Valve	A0E012	1	No.3:Close Front Clamp
	Valve	A0E018	1	No.4,5:Open/Close Side Expand
	Valve	A0E012	1	No.6:Close Side Clamp
	Valve	A0E012	1	No.9:Wide Side Vents Clamp
	Valve	A0E012	1	No.10:Close Side Vents Clamp
326	Manifold valve	A0F055	1	
327	Valve	A0E018	1	No.13,14:Start/End Body Rotation
328	Manifold valve	C1A007	5	
329	Pulls	E5V051	1	
330	Magnetic Catch	E5V053	1	

# 4 : Steam Piping Diagram

REV:1

3DDF100U-V3-054-1



**Steam Piping****REV:1**

No.	Part Name	Part Number	Q'ty	Remark
401	Air Muffler	J0A001	2	
402	Piston Valve	A0G003	1	
403	Joint	C0E001	1	
404	Steam Gauge	J0A003	1	
405	Y Type Strainer	J2M007	1	
406	Steam trap	J2N001	1	
407	Radiator	RD180-000	1	