



sankosha®  
PRESS AND PROGRESS

*Fast Back Type Utility Legger Press*

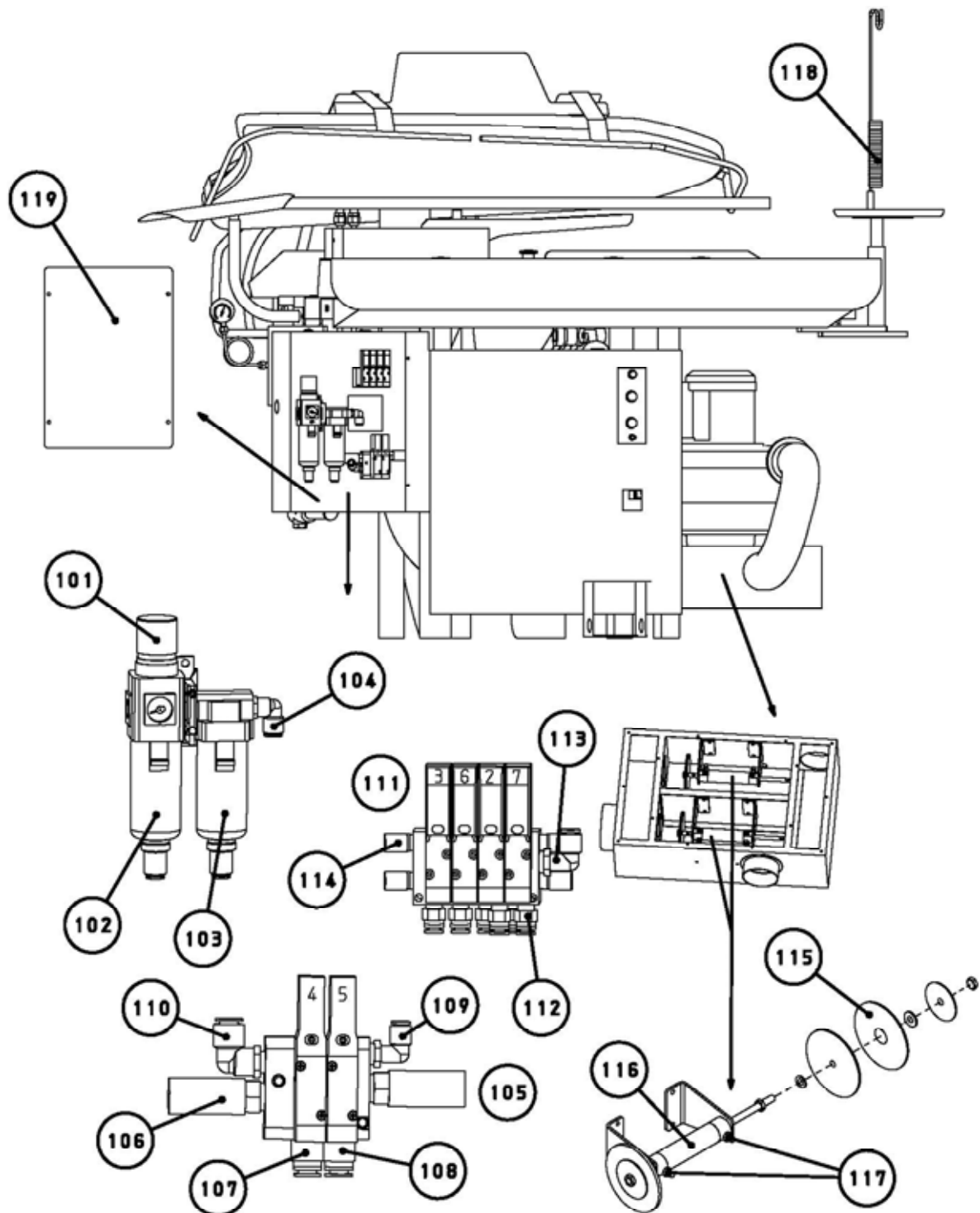
# Spare Parts List

---

## DP-450RE (REV:2)

# DP-450RE (Front Diagram) REV:2

3DDP450RE-V1-051-1



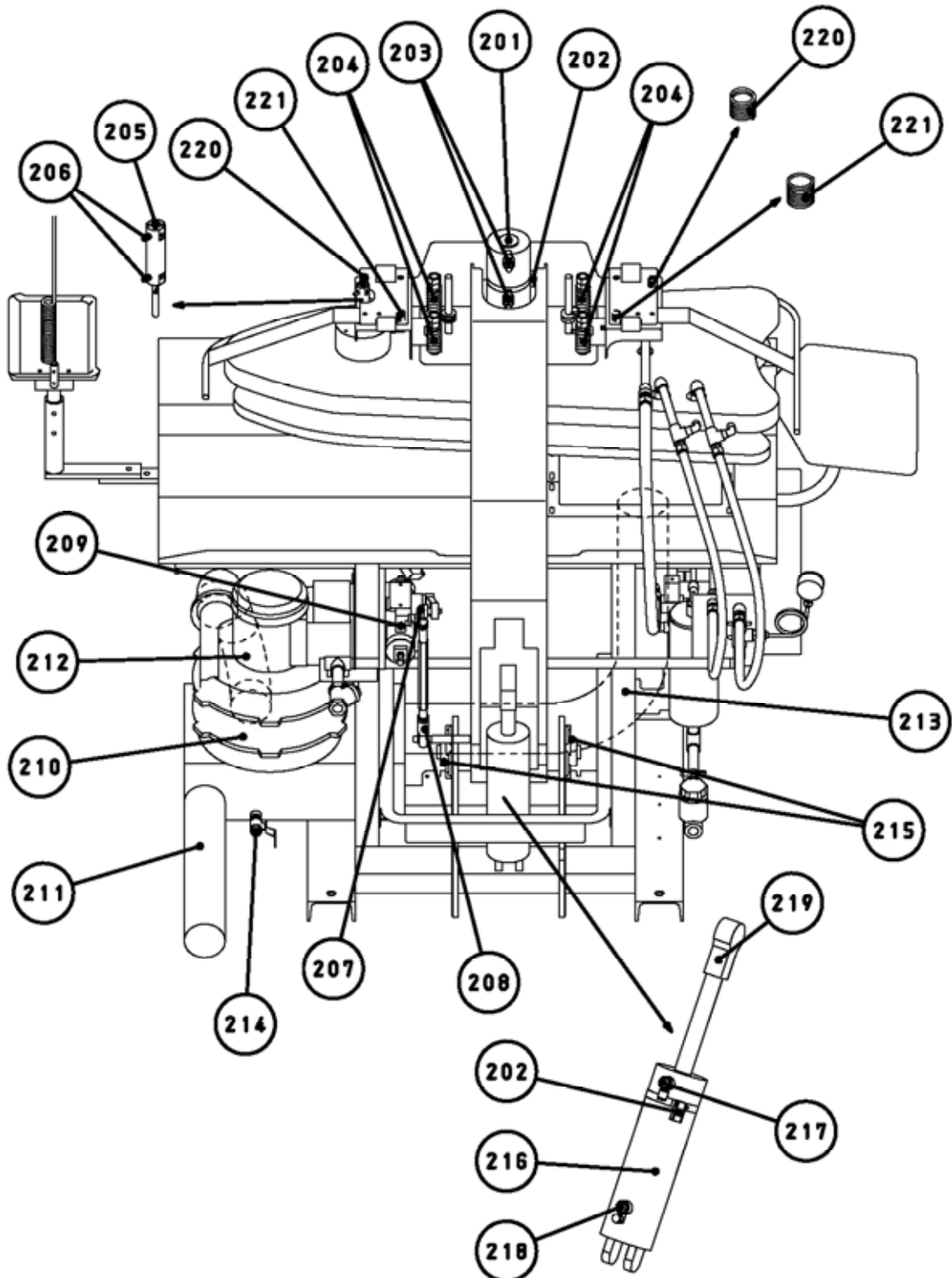
## Front Diagram

REV:2

No.	Part Name	Part number	Q'ty	Remark
101	Air Combination	D0F001	1	
102	Filter Element	D1F002	1	
	Diaphragm Assembly	D1H004	1	
	Case Assembly	D1J002	1	
103	Element Assembly	D1G002	1	
	Case Assembly	D1J002	1	
104	Air Joint	C0C025	1	
105	Manifold Valve	A0D038	1	
	Solenoid Valve (M)	A0K017	1	No.5: Press
	Solenoid Valve (M)	A0K017	1	No.4: Press Arm
	Gasket (For PCS2413)	A0H003	2	
106	Silencer	C0A005	2	
107	Air Joint	C0C008	2	
108	Air Joint	C0C011	2	
109	Air Joint	C0C019	1	
110	Air Joint	C0C098	1	
111	Manifold Valve	A0D050	1	
	Solenoid Valve (M)	A0K021	1	No.3: Upper Press Steam
	Solenoid Valve (M)	A0K021	1	No.6: Lower Press Steam
	Solenoid Valve (M)	A0K021	1	No.2: Vacuum Pedal
	Solenoid Valve (M)	A0K021	1	No.7: Vacuum
	Gasket	A0H001	4	
112	Air Joint	C0C002	6	
113	Air Joint	C0C018	1	
114	Silencer	C0A003	4	
115	Packing	MP410-238	4	
116	Cylinder	B0H003	2	Vacuum/ Blower Changing
	Cylinder Packing Set	B6H025	2	
117	Air Joint	C0E001	4	
118	Spring	H0D041	1	Iron Plate
119	Solenoid Valve Cover	DP400RJ-V1-141	1	

# DP-450RE (Rear Diagram) REV:2

3DDP450RE-V1-052-1



## Rear Diagram

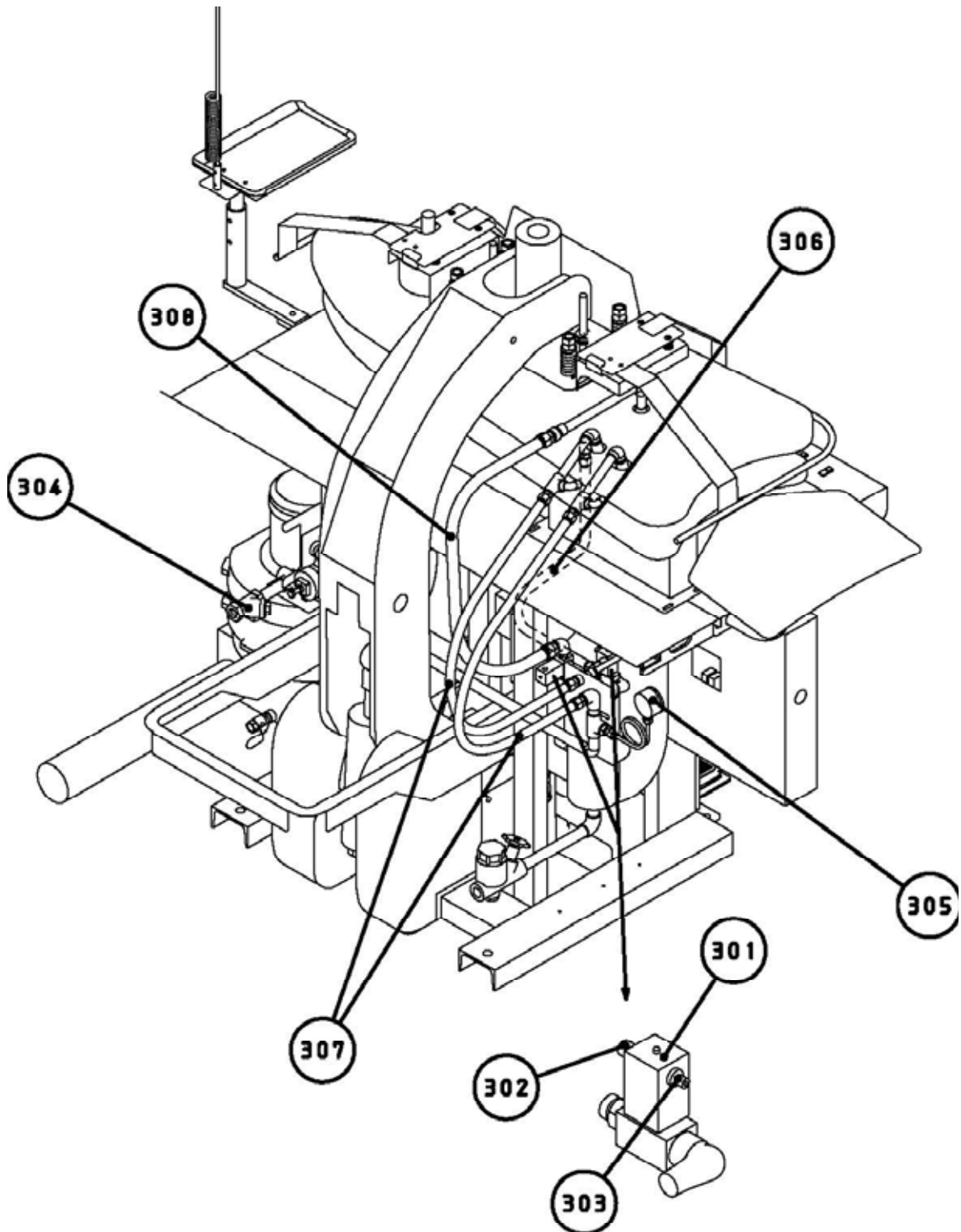
REV:2

No.	Part Name	Part number	Q'ty	Remark
201	Cylinder	B0J006	1	Upper Press
	Cylinder Packing Set	B6H007	1	
202	Cylinder Sensor	B5A002	2	
	Sensor Band	B5C001	2	
203	Speed Controller	C1A027	2	
204	Upper Press Adjust Spring	H0D021	4	
205	Cylinder	B0A011	1	
	Cylinder Packing Set	B6H040	1	
206	Air Joint	C0E003	2	
207	Rod End	E5A012	1	
208	Rod End	E5A011	1	
209	Oil Dumper	F0J001	1	
210	Blower Motor	G1A011	1	
211	Vacuum Flex, Hose	K1C001	1	460mm
212	Vacuum Flex, Hose	K1C001	1	500mm
213	Vacuum Flex, Hose	K1C002	1	750mm
214	Ball Valve	J6A008	1	
215	Bearing Unit	E4A001	2	
216	Cylinder	B0L004	1	Upper Press Arm
	Cylinder Packing Set	B6H007	1	
217	Speed Controller	C1A024	1	Cylinder Lod Side
218	Speed Controller	C1A026	1	Cylinder Head Side
219	Rod End	E5A014	1	
220	Emergency Spring	H0D001	2	
221	Emergency Spring	H0D002	2	

# DP-450RE (Steam Piping)

REV:2

3DDP450RE-V1-053-1



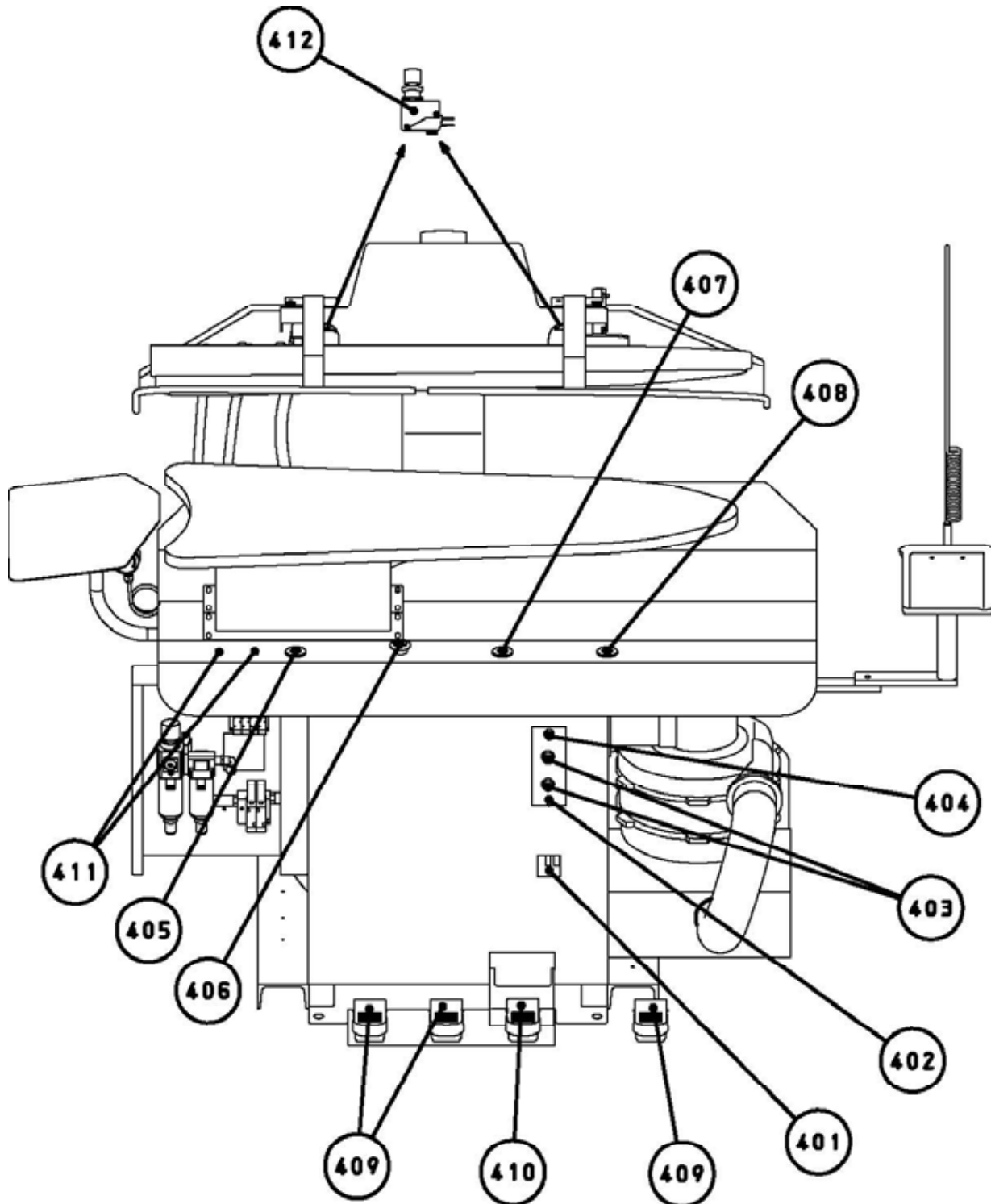
## Steam Piping

REV:2

No.	Part Name	Part number	Q'ty	Remark
301	Steam Valve	A0G013	2	
302	Silencer	C0A001	2	
303	Air Joint	C0E001	2	
304	Y Type Strainer	J2M002	1	
305	Steam Gauge	J0A003	1	
306	Tube SUS BC	K1F006	1	
307	Flex. Hose	A6B004	2	
308	Flex. Hose	A6A002	1	

# DP-450RE (Switch Diagram) REV:2

3DDP450RE-V1-054-2





## Switch Diagram

REV:2

No.	Part Name	Part number	Q'ty	Remark
401	Breaker Switch	21C004	1	Power
402	Switch	20L001	1	Manual/Auto Select
403	Volume	21J001	2	Vacuum · Steam
404	Power Lamp	21M002	1	
405	Push Button Switch	21I031	1	Start(Green)
	Push Button Cap	21I042	1	
406	Push Button Switch	21I068	1	Emergency Stop(Red)
407	Push Button Switch	21I033	1	Reset(Blue)
	Push Button Cap	21I044	1	
408	Push Button Switch	21I030	1	One Touch Start(Black)
	Push Button Cap	21I119	1	
409	Foot Pedal Unit	FP-UNT-004	3	Vacuum · Blower
	Micro Switch	21E003	3	
	Foot Pedal Spring	H0D019	3	
410	Foot Pedal Unit	FP-UNT-017	1	Steam
	Micro Switch	21E003	1	
	Foot Pedal Spring	H0D019	1	
411	Locker Switch	20G006	2	· Hard/Soft Changing · Lower Steam Allow
412	Push Button Switch	21I012	2	EMG Bar
	Push Button Cap	21I013	2	