



sankosha®
PRESS AND PROGRESS

LP-570E-V2

**Spare Parts
Ersatzteilliste**

Spare Parts List

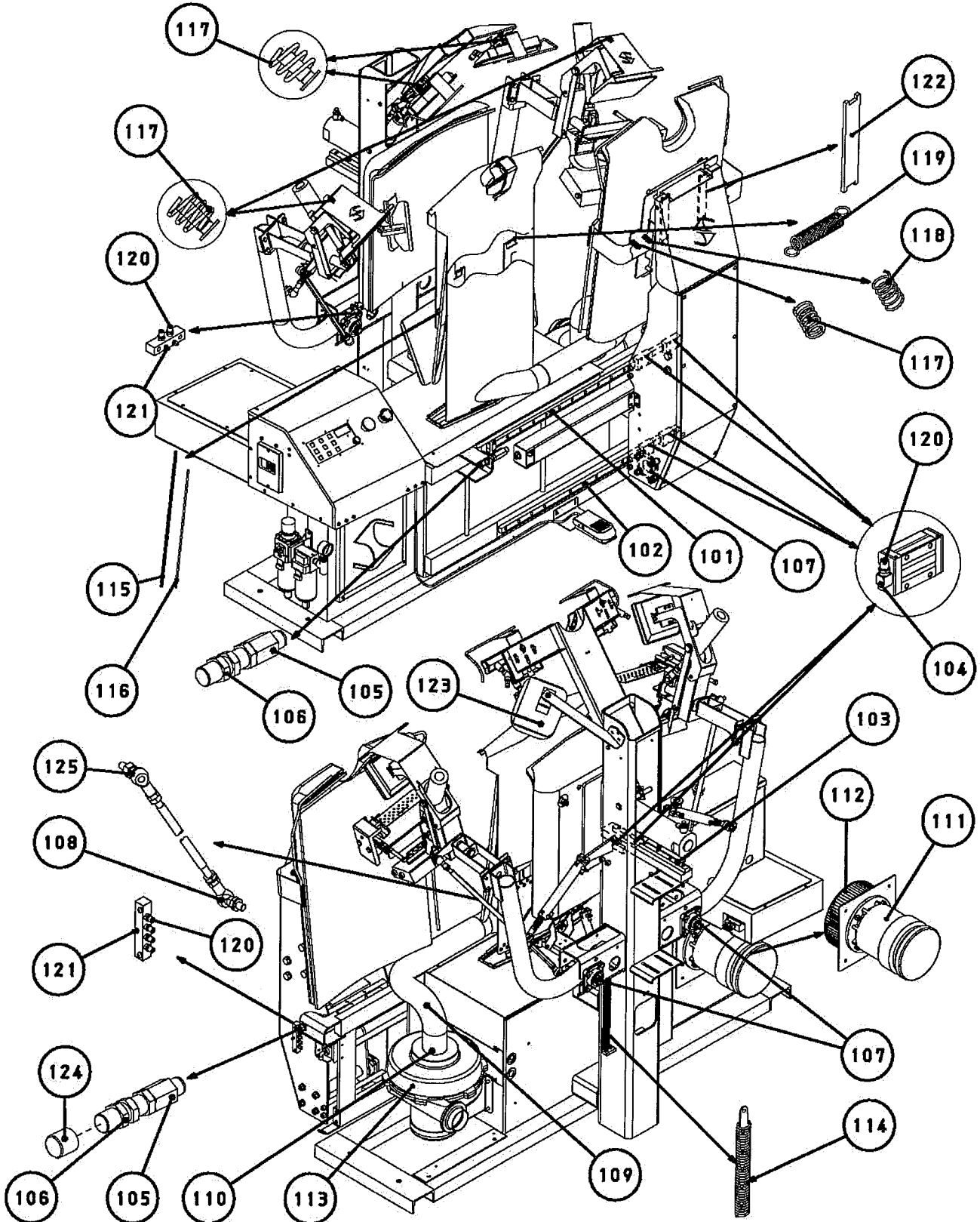
Index

- 1: Motor Operation Diagram**
- 2: Air Piping (1)**
- 3: Air Piping (2)**
- 4: Air Piping (3)**
- 5: Steam Piping Diagram**
- 6: Control Box/Switch Diagram**
- 7: Cover Diagram**

1: Motor Operation Diagram

REV: 3

3DLP570E-V2-051-2



Motor-Operation Diagram

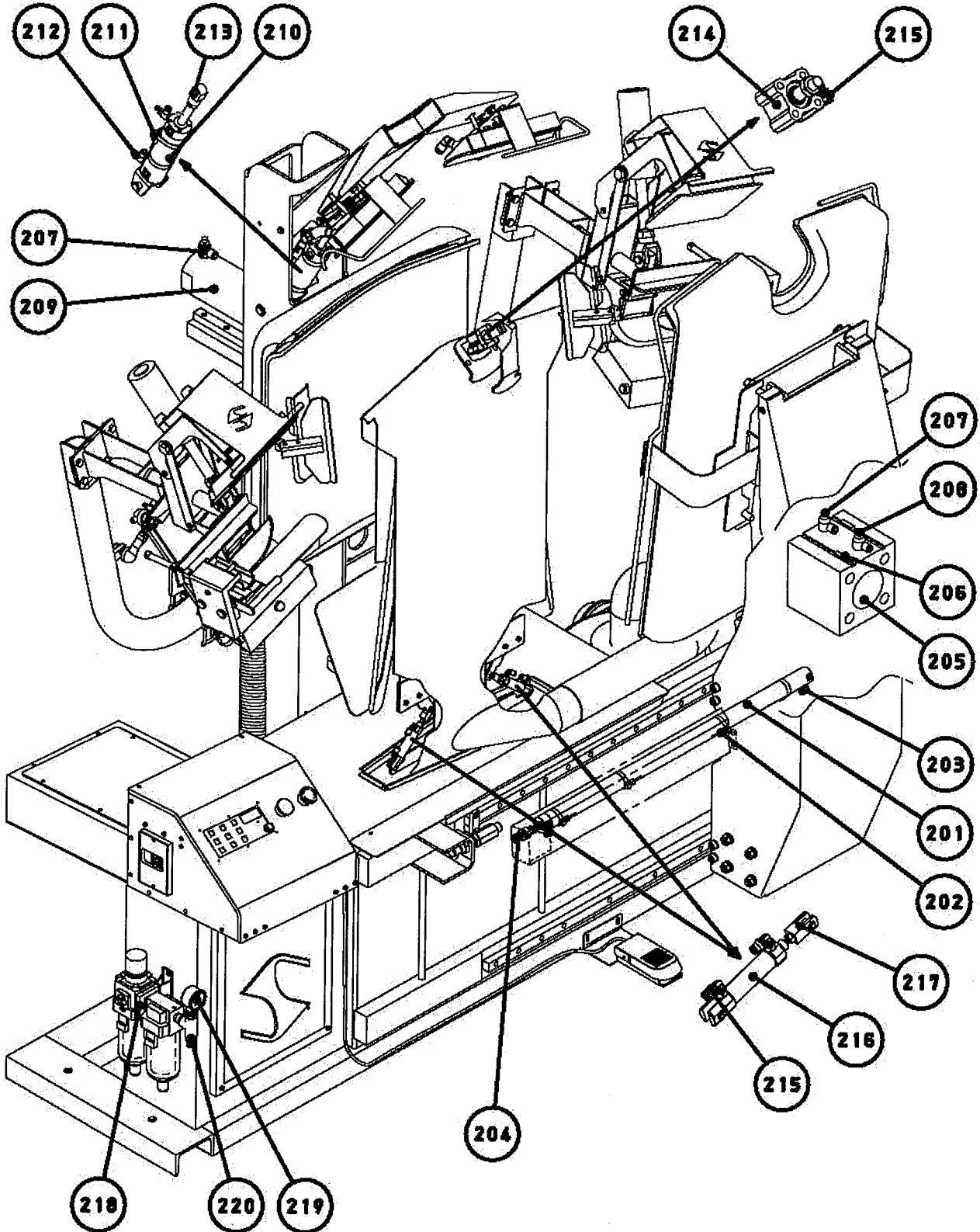
REV:3

No.	Part Name	Part Number	Q'ty	Remark
101	LM Guide	E0B006	1	Upper Side
	LM Guide Block	E0B001	2	
102	LM Guide	E0A013	1	Lower Side
	LM Guide Block	E0A001	2	
103	LM Guide	E0A003	2	
	LM Guide Block	E0A001	2	
104	Joint	E0F001	6	
105	Shock Absorber	F0K005	2	
106	Nut	F0L005	2	
107	Bearing Unit	E4A001	6	
108	Link Ball	E5J004	2	
109	Vacuum Flex. Hose	K1D003	1	Length:770mm
110	Vacuum Flex. Hose Cuff	K1D004	2	
111	Motor	G0E003	1	For Blower
112	Blower Fan	G2B009	1	
113	Motor	G1A025	1	For Vacuum
114	Balance Spring Unit	BSP-UNT-012	2	
115	Spring	H0D015	2	
116	Rod	H0D016	2	
117	Spring	H0D001	6	
118	Spring	H0D002	2	
119	Spring	H0D004	2	
120	Joint	C0E002	12	
121	Grease Nipple	E0F003	3	
122	Plate	AB2013	2	(Press Arm Cover Shaft Plate)
123	Mirror	Q0A007	1	
124	Cover (Gum)	M4J001	1	For Right Side
125	Link Ball	E5J003	2	

2: Air Piping (1)

REV: 3

3DLP570E-V2-052-2



Air Piping (1)

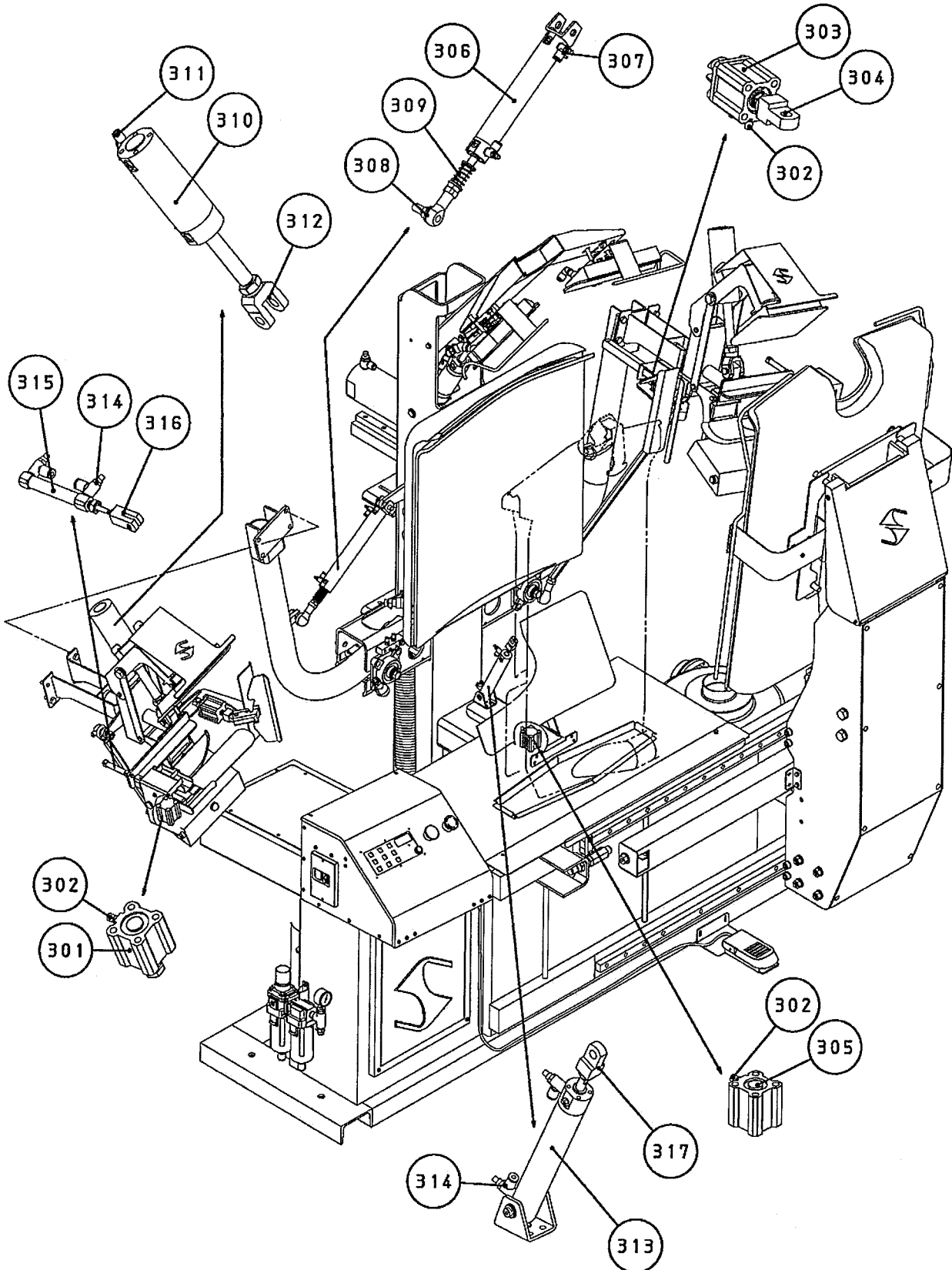
REV:3

No.	Part Name	Part Number	Q'ty	Remark
201	Cylinder	B2I014	1	Transfer : No.~LP570EV2-0018
		B0K016	1	No.LP570EV2-X0019~
202	Cylinder Sensor	B5A006	4	No.~LP570EV2-0018
	Sensor Band	B5D004	4	
	Cylinder Sensor	B5A003	4	No.LP570EV2-X0019~
	Sensor Band	B5B008	4	
203	Joint	C0C054	2	
204	Floating Joint	E5L001	1	
205	Cylinder	B1H001	1	Front Press
206	Cylinder Sensor	B5A004	2	
207	Speed Controller	C1A024	3	
208	Speed Controller	C1A026	1	
209	Cylinder	B2C008	1	Rear Press
210	Cylinder	B0U009	1	Shoulder Press
	Cylinder Packing Set	B6H047	1	
211	Cylinder Sensor	B5A003	2	
	Sensor Band	B5B004	2	
212	Speed Controller	C1A012	2	
213	Knuckle Joint	B6A004	1	
214	Cylinder	B1A007	1	Neck
215	Joint	C0B010	6	
216	Cylinder	B1L003	2	Side Expander No. ~LP570EV2-0018
		B2J040	2	No.LP570EV2-X0019~ (Changeable)
217	Knuckle Joint	B6B007	2	No. ~LP570EV2-0018
218	Air Combination	D0F008	1	
219	Air Gauge	D1C001	1	
220	Joint	C0C012	1	

3: Air Piping (2)

REV: 3

3DLP550J-V2-053-6



Air Piping (2)

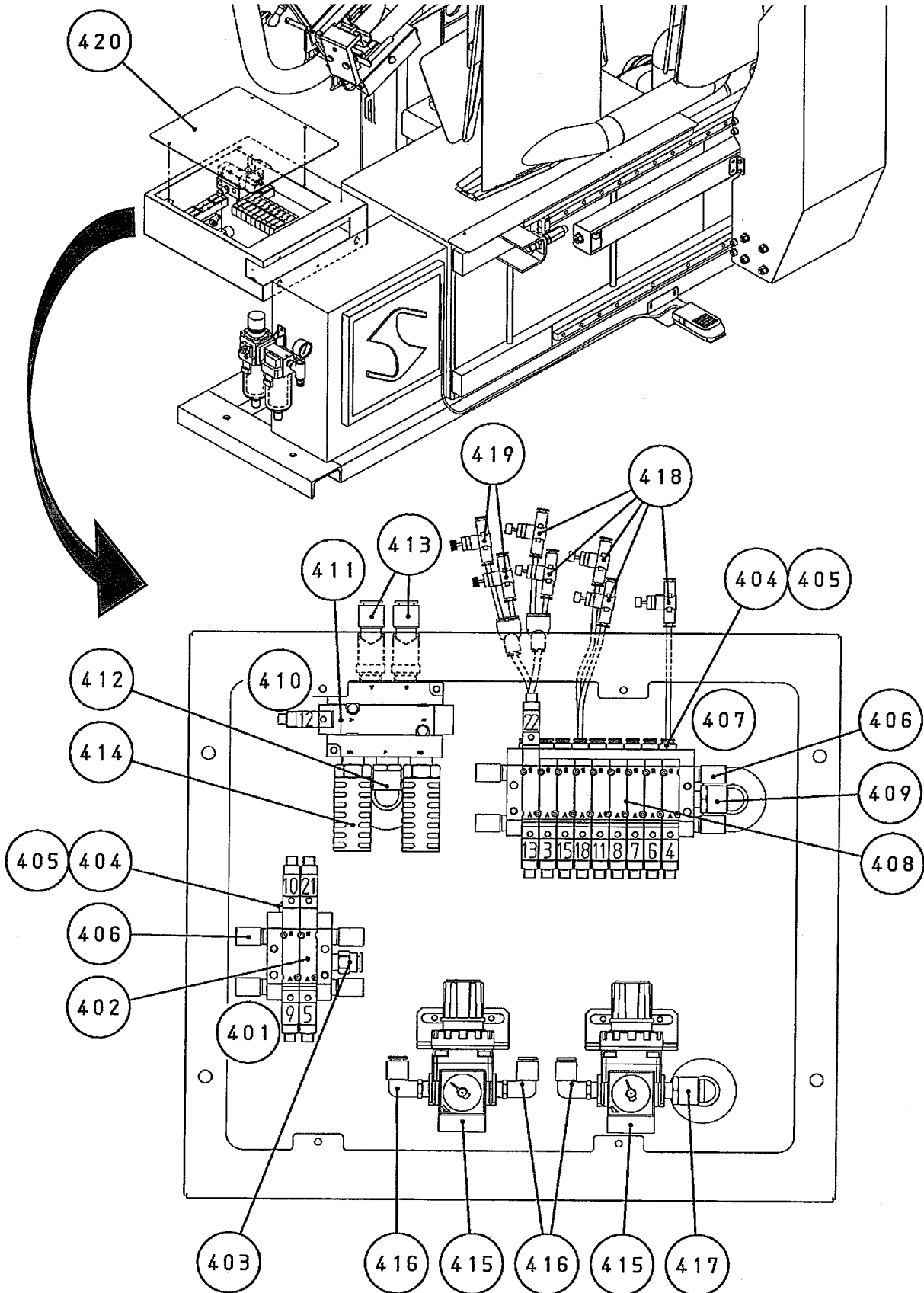
REV:3

No.	Part Name	Part Number	Q'ty	Remark
301	Cylinder	B1A008	2	Cuff Clamp
302	Joint	C0E003	9	
303	Cylinder	B1C007	2	Short Sleeve
304	Knuckle Joint	B6A003	2	
305	Cylinder	B1A005	1	Tail Clamp Up/Down
306	Cylinder	B0C002	2	Sleeve Arm
307	Speed Controller	C1A003	4	
308	Link Ball	E5J004	2	
309	Spring	H0D002	2	
310	Cylinder	B0A019	2	Tuck Press
311	Speed Controller	C1A012	4	
312	Knuckle Joint	B6B003	2	
313	Cylinder	B0E004	1	Tail Clamp
314	Speed Controller	C1A002	6	
315	Cylinder	B1K001	2	Cuff Adjuster No. ~LP570EV2-0018
		B2J044	2	No.LP570EV2-X0019~ (Changeable)
316	Knuckle Joint	B6B008	2	No. ~LP570EV2-0018
317	Knuckle Joint	B6A002	1	

4: Air Piping (3)

REV: 3

3DLP550J-V2-054-6



Air Piping (3)

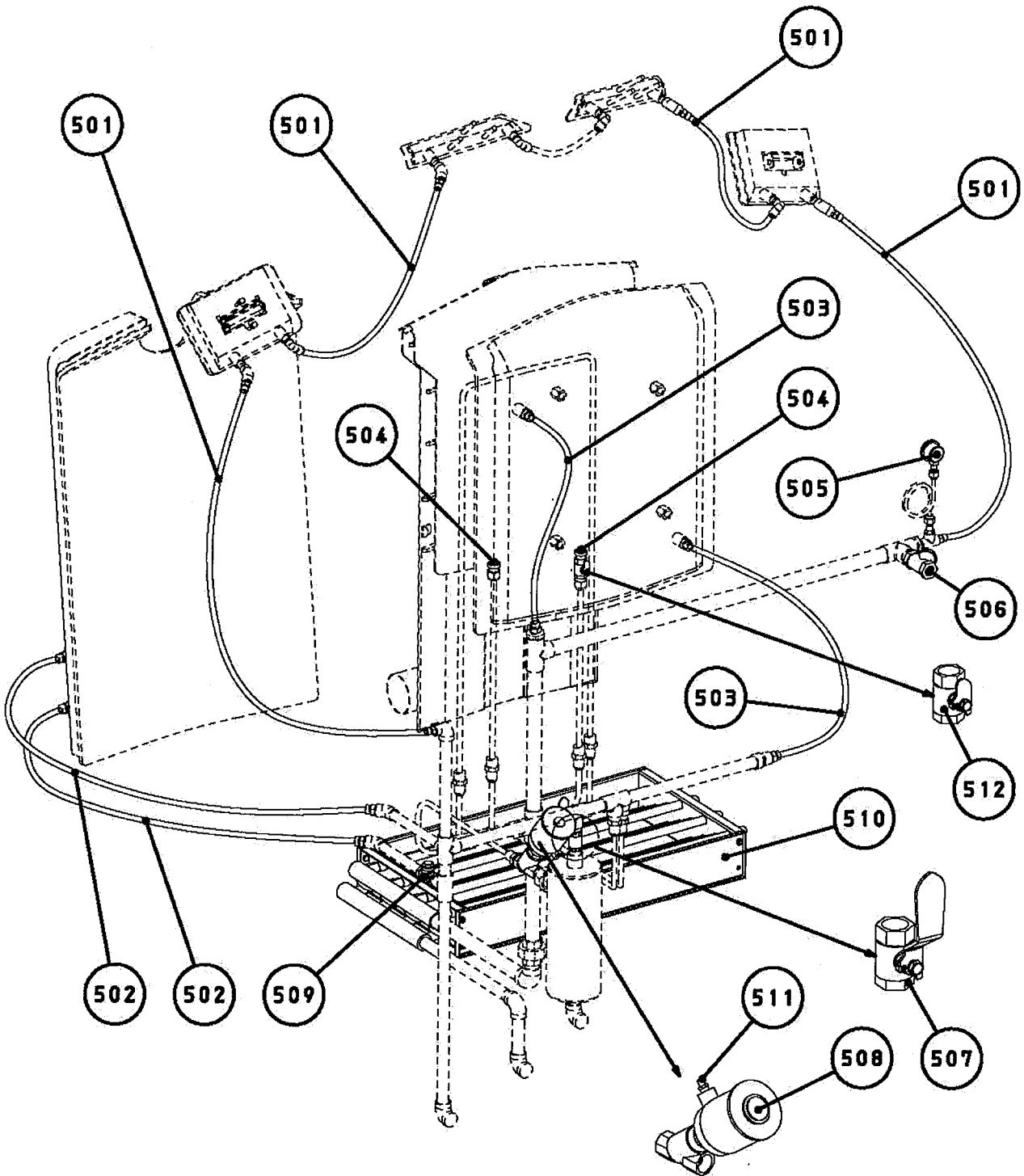
REV:3

No.	Part Name	Part Number	Q'ty	Remark
401	Manifold Valve	A0F125	1	
402	Solenoid Valve	A0E013	1	No.5,21 : Sleeve Arm
	Solenoid Valve	A0E013	1	No.9,10 : Front Press Slide
	Gasket	A0J005	2	
403	Joint	C0C004	1	
404	Joint	A0J007	10	
405	Joint	C0G002	10	
406	Silencer	C0A003	8	
407	Manifold Valve	A0F129	1	
408	Solenoid Valve	A0J012	1	No.4 : Tail Clamp Up/Down
	Solenoid Valve	A0J012	1	No.6 :Tail Clamp
	Solenoid Valve	A0J012	1	No.7 : Cuff/Short Sleeve Clamp, Cuff Adjuster : Left
	Solenoid Valve	A0J012	1	No.8 : Cuff/Short Sleeve Clamp, Cuff Adjuster : Right
	Solenoid Valve	A0J012	1	No.11 : Tuck Press
	Solenoid Valve	A0J012	1	No.18 : Neck Clamp
	Solenoid Valve	A0J012	1	No.15 : Steam
	Solenoid Valve	A0J012	1	No.3 : Shoulder Press
	Solenoid Valve	A0E021	1	No.13,22 : Side Expander
	Gasket	A0J005	9	
409	Joint	C0C024	1	
410	Manifold Valve	A0F020	1	
411	Solenoid Valve	A0E020	1	No.12 : Body Press
	Gasket	A0J009	1	
412	Joint	C0C098	1	
413	Joint	C0C040	2	
414	Silencer	C0A006	2	
415	Regulator	D0E005	2	
416	Joint	C0C018	3	
417	Joint	C0C024	1	
418	Speed Controller	C1A007	6	
419	Speed Controller	C1A009	2	
420	Solenoid Valve Cover	P0A012	1	

5: Steam Piping

REV: 3

3DLP570E-V2-055-1



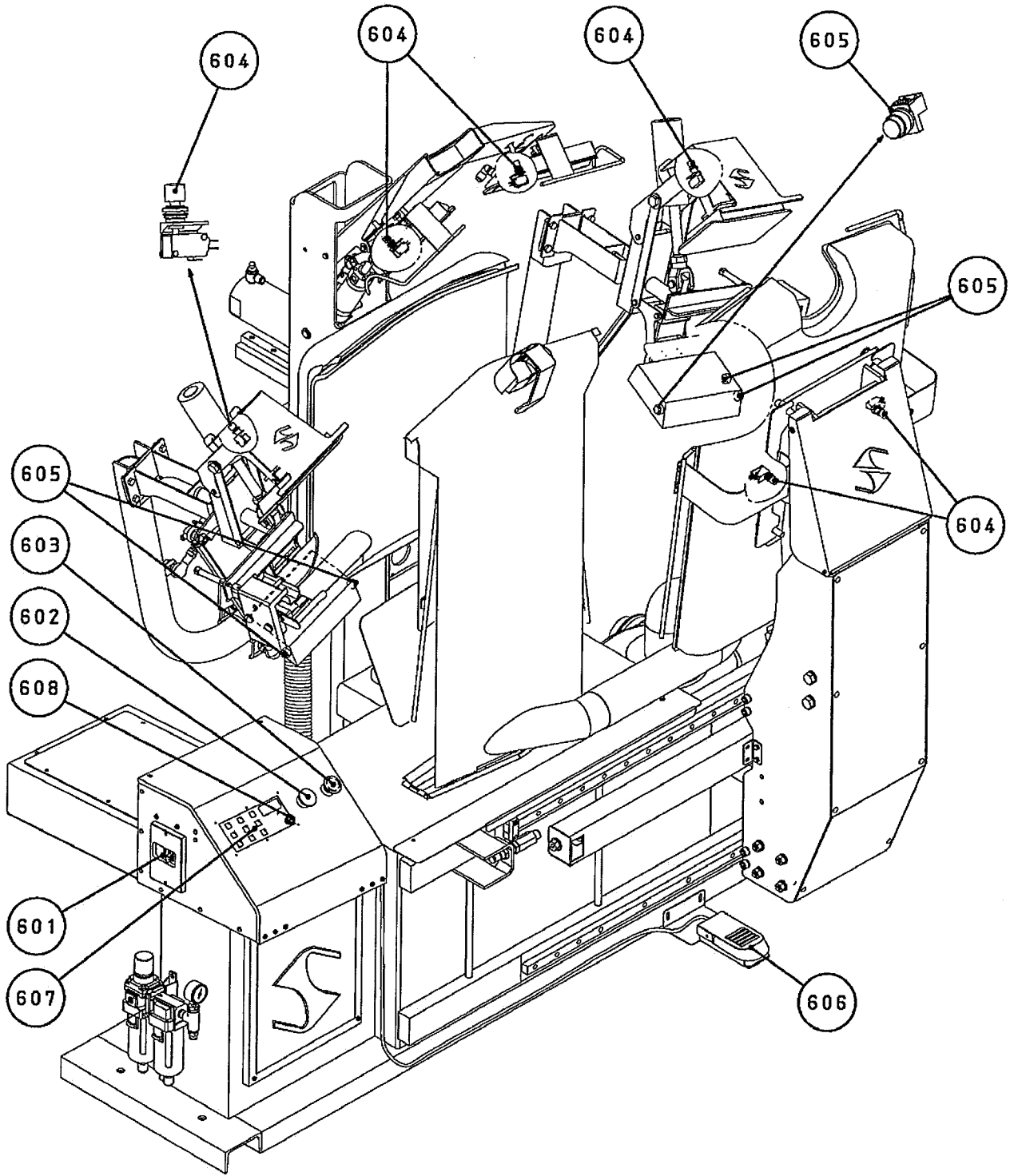
Steam Piping

REV: 3

No.	Part Name	Part Number	Q'ty	Remark
501	Flex. Hose	A6C004	4	No.~LP570E-V2-0010
		A6C009		No.LP570EV2-0011~0018
		A6B020		No.LP570EV2-X0019~
502	Flex. Hose	A6B004	2	No.~LP570E-V2-0010
		A6B018		No.LP570E-V2-0011~
503	Flex. Hose	A6B006	2	No.~LP570E-V2-0010
		A6B017		No.LP570E-V2-0011~
504	Steam Nozzle	UNA013	2	
505	Steam Gauge	J0A003	1	
506	Y Type Strainer	J2M008	1	
507	Ball Valve	J6A007	1	
508	Piston Valve	A0G003	1	
509	Lift Check	J2J001	1	
510	Radiator	RD200	1	
511	Joint	C0E001	1	
512	Ball Valve Unit	LP-UNT-004-1	1	

6: Control Box - Switch Diagram REV: 3

3DLP550J-V2-056-6



6: Control Box - Switch Diagram

REV:3

No.	Part Name	Part Number	Q'ty	Remark
601	Breaker Switch	21C006	1	
602	Push Button Switch	21I111	1	Reset
	Push Button Switch Cap	21I133	1	
603	Push Button Switch	21I107	1	Emergency
604	Push Button Switch	21I012	6	Safety Bar No.~LP570EV2-0018
	Push Button Switch Cap	21I013		
	Push Button Switch	21I085	6	Safety Bar No.LP570EV2-X0019~
605	Push Button Switch	21I113	5	Start. :No.~LP570E-V2-0006
		21I148		No.LP570E-V2-0007~
606	Foot Pedal	20Z009		No.~LP570EV2-0018
	Foot Pedal Unit	FP-UNT-002	1	No.LP570EV2-X0019~
	Micro Switch	21E035	1	
	Foot Pedal Spring	H0D019	1	
607	Panel Sheet	LP570E-V2-00	1	
608	Knob	21D006	1	