

sankosha®
PRESS AND PROGRESS

LP-590E

Ersatzteilliste

Spare Parts

Spare Parts List

Index

- 1: Motor Operation Diagram**
- 2: Air Piping (1)**
- 3: Air Piping (2)**
- 4: Air Piping (3)**
- 5: Steam Piping Diagram**
- 6: Control Box/Switch Diagram**

1: Motor-Operation Diagram

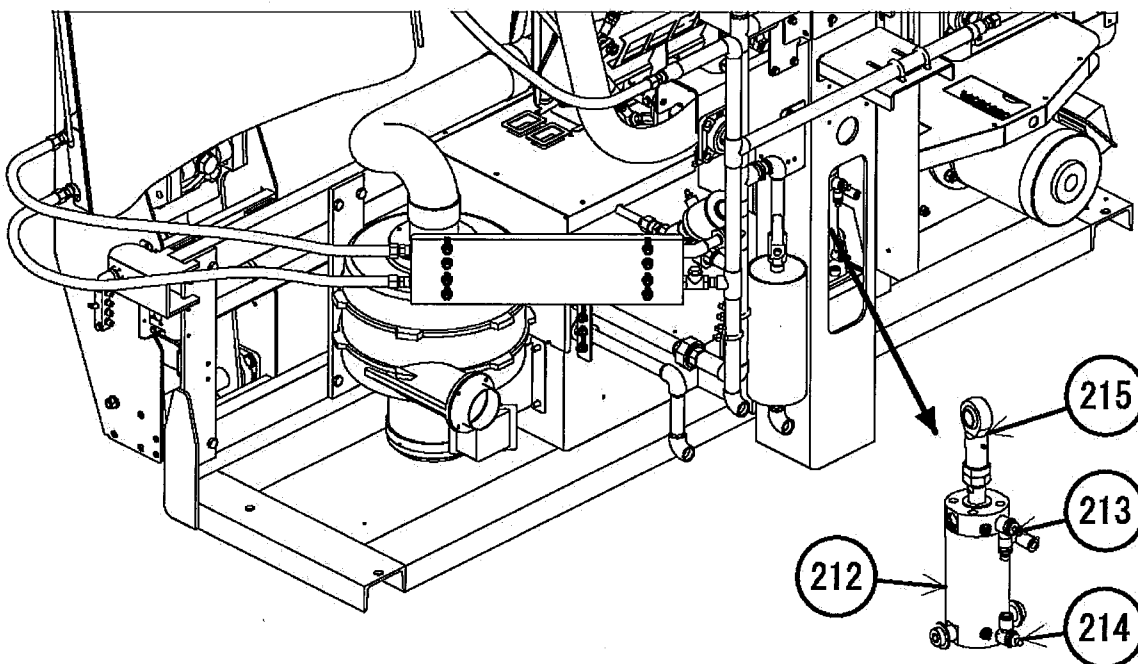
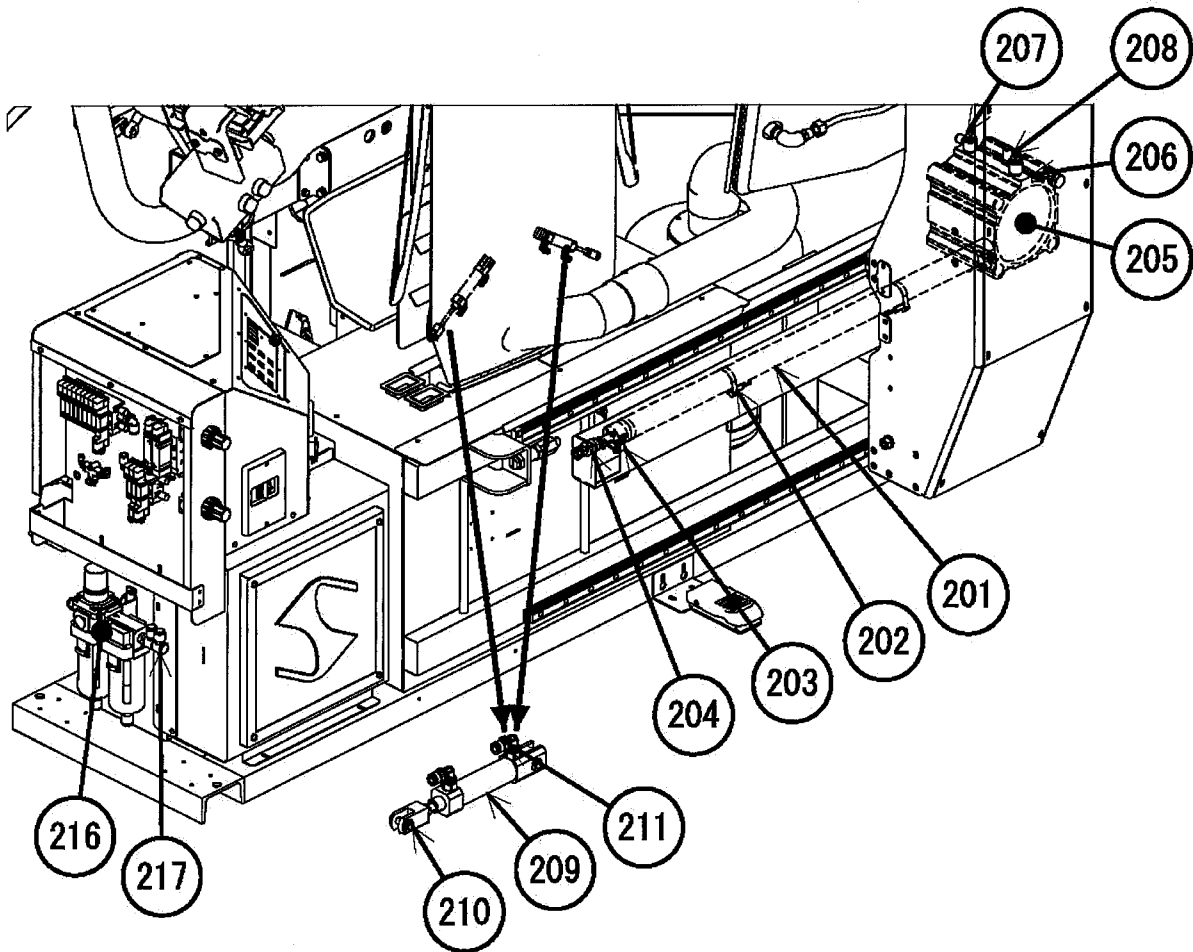
REV:1

No.	Part Name	Part Number	Q'ty	Remark
101	LM Guide	E0B020	1	Upper
	LM Guide Block	E0B001	2	
102	LM Guide	E0A022	1	Lower
	LM Guide Block	E0A001	2	
103	LM Guide	E0A003	2	
	LM Guide Block	E0A001	2	
104	Joint	E0F001	4	
105	Joint	E0F005	2	
106	Shock Absorber	F0K005	2	
107	Nut	F0L005	2	
108	Bearing Unit	E4A001	6	
109	Link Ball	E5J004	2	
110	Link Ball	E5J003	2	
111	Vacuum Flex. Hose	K1D003	1	Length: 770mm
112	Vacuum Flex. Hose Cuff	K1D004	2	
113	Motor	G0H001	1	
114	Blower Fan	G2B009	1	
115	Blower Motor	G1A029	1	
116	Spring	H0D014	2	
117	Rod	H0D016	2	
118	Spring	H0D001	6	
119	Spring	H0D002	2	
120	Spring	H0D004	4	
121	Joint	C0E002	12	
122	Grease Nipple	E0F003	3	
123	Plate	AB2013	2	(Press Arm Cover Shaft Plate)
124	Mirror	Q0A007	1	
125	Cover	M4J001	1	Only right side
126	LM Guide	E0A023	2	Cuff Unit Up & Down Drive
	LM Guide Block	E0A001	4	
127	Spring	H0E078	2	
128	Rod End	E5A004	2	

2: Air Piping (1)

REV: 1

3DLP590U-V1-052-1



2: Air Piping (1)

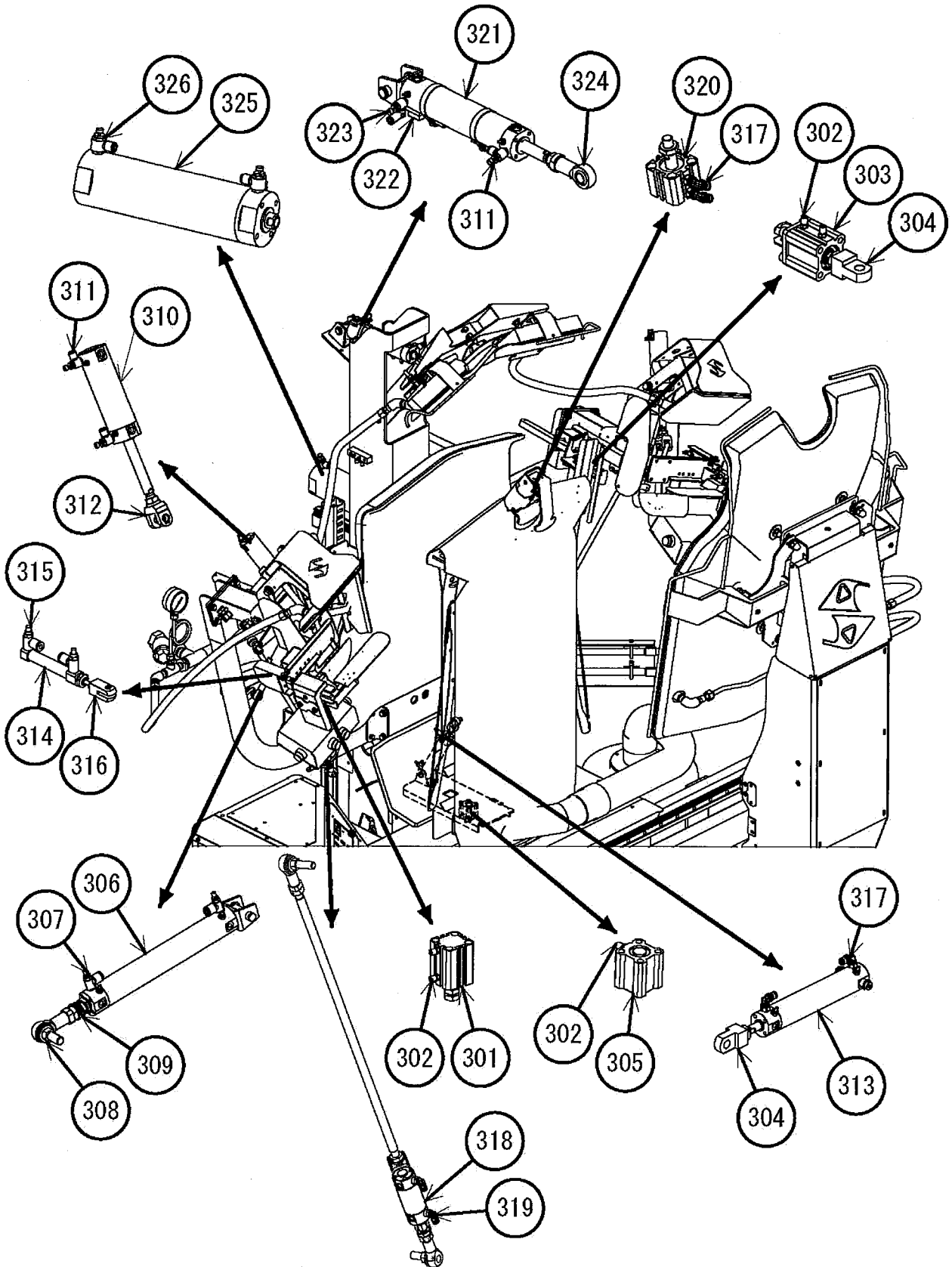
REV:1

No.	Part Name	Part Number	Q'ty	Remark
201	Cylinder	B0K013	1	Transfer
	Cylinder Packing Set	B6H029	1	
202	Cylinder Sensor	B5A003	4	
	Sensor Band	B5B008	4	
203	Joint	C0C054	2	
204	Floating Joint	E5L001	1	
205	Cylinder	B1H003	1	Front Press
	Cylinder Packing Set	B6H022	1	
206	Cylinder Sensor	B5A004	2	
207	Speed Controller	C1A024	1	
208	Speed Controller	C1A026	1	
209	Cylinder	B2J040	2	Side Expander
210	Knuckle Joint	B6B013	2	
211	Joint	C0B010	4	
212	Cylinder	B0E026	1	Cuff Unit Up & Down Drive
	Cylinder Packing Set	B6H015	1	
213	Cylinder Sensor	C1A052	1	
214	Cylinder Sensor	C1A014	1	
215	Rod End	E5A013		
216	Air Combination	D0F003	1	
217	Joint	C0C043		

3: Air Piping (2)

REV: 1

3DLP590U-V2-053-1



3: Air Piping (2)

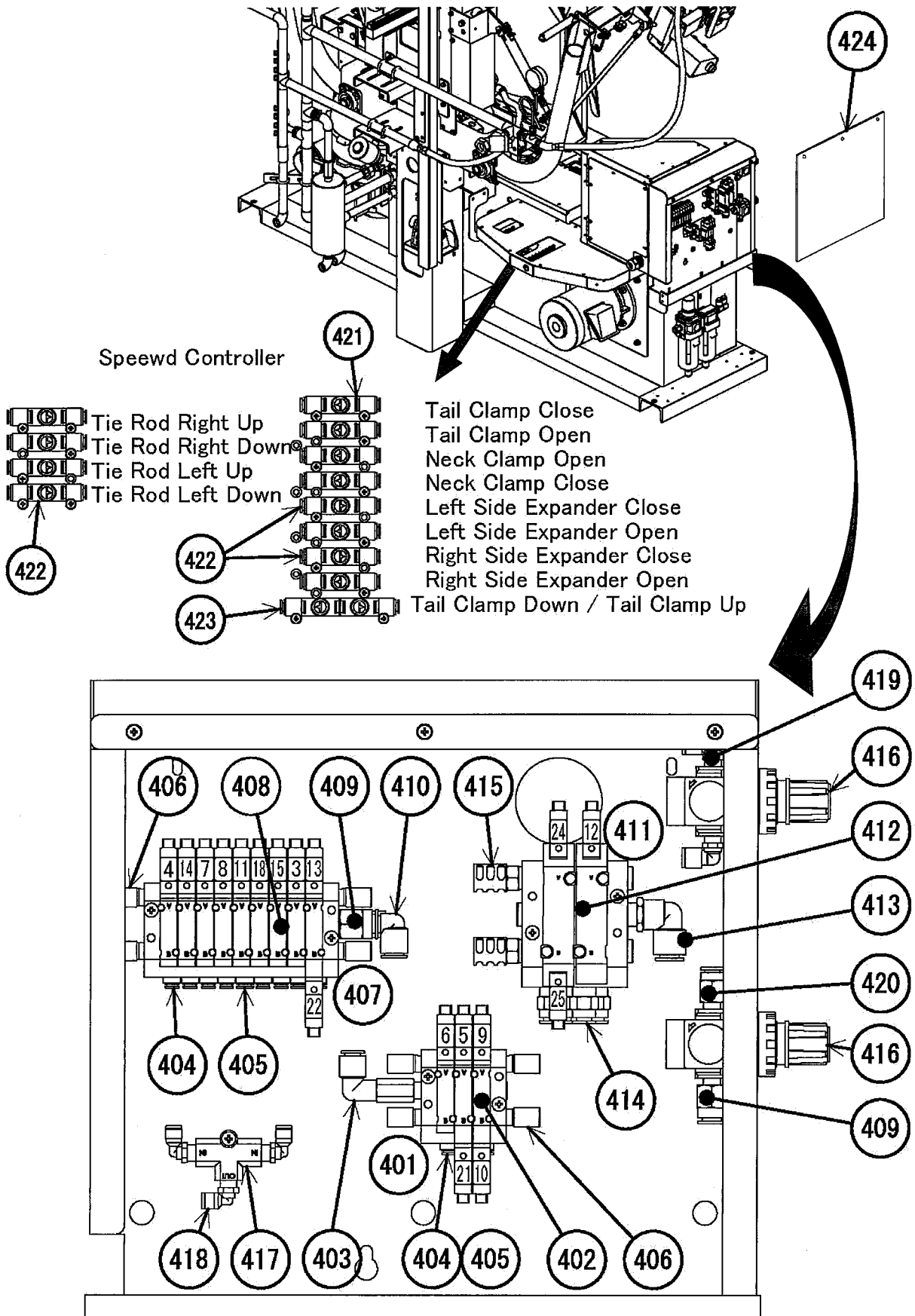
REV: 1

No.	Part Name	Part Number	Q'ty	Remark
301	Cylinder	B1A008	2	Cuff Clamp
	Cylinder Packing Set	B6H020	2	
302	Joint	C0E003	9	
303	Cylinder	B1C007	2	Short Sleeve
	Cylinder Packing Set	B6H020	2	
304	Knuckle Joint	B6A003	3	
305	Cylinder	B1A005	1	Tail Clamp Up/Down
	Cylinder Packing Set	B6H017	1	
306	Cylinder	B0C002	2	Sleeve Arm
	Cylinder Packing Set	B6H003	2	
307	Speed Controller	C1A003	4	
308	Link Ball	E5J004	2	
309	Spring	H0D002	2	
310	Cylinder	B0A019	2	Tuck Press
	Cylinder Packing Set	B6H005	2	
311	Speed Controller	C1A012	5	
312	Knuckle Joint	B6B003	2	
313	Cylinder	B0E024	1	Tail Clamp
	Cylinder Packing Set	B6H056	1	
314	Speed Controller	C1A002	6	
315	Cylinder	B2J044	2	Cuff Adjuster
316	Knuckle Joint	B6B019	2	
317	Joint	C0B010	4	
318	Cylinder	B2I075	1	Tuck Tie Rod
319	Joint	C1C127	4	
320	Cylinder	B1A007	1	Neck
	Cylinder Packing Set	B6H021	1	
321	Cylinder	B0U013	1	Shoulder Press
	Cylinder Packing Set	B6H047	1	
322	Cylinder Sensor	B5A003	2	
	Sensor Band	B5B004	2	
323	Speed Controller	C1A020	1	
324	Rod End	E5A010	1	
325	Cylinder	B2C008	1	Rear Press
	Cylinder Packing Set	B6H007	1	
326	Speed Controller	C1A024	2	

4: Air Piping (3)

REV: 1

3DLP590U-V1-054-1



4: Air Piping (3)

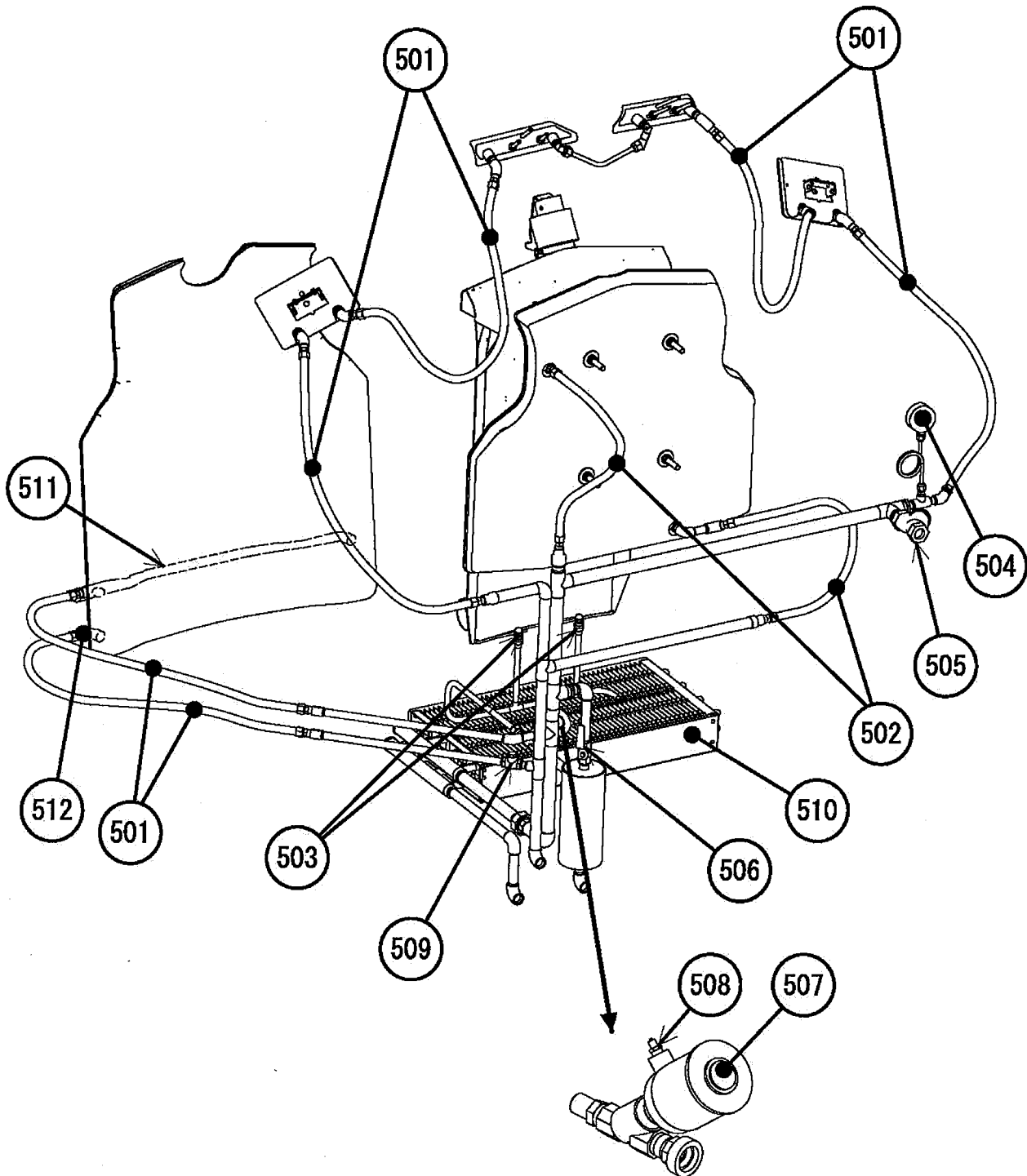
REV:1

No.	Part Name	Part Number	Q'ty	Remark
401	Manifold Valve	A0F151	1	
402	Solenoid Valve	A0J012	1	No.6 :Tail Clamp Close Low Pressure
	Solenoid Valve	A0E013	1	No.5,21 : Sleeve Arm
	Solenoid Valve	A0E013	1	No.9,10 : Front Press Slide
	Gasket	A0J005	3	
403	Joint	C0C045	1	
404	Joint	A0J007	11	
405	Joint	C0G002	10	
406	Silencer	C0A003	8	
407	Manifold Valve	A0F150	1	
408	Solenoid Valve	A0J012	1	No.4 : Tail Clamp Up-Down
	Solenoid Valve	A0J012	1	No.14 :Tail Clamp Close High Pressure
	Solenoid Valve	A0J012	1	No.7 : Cuff/Short Sleeve Clamp , Cuff Adjuster : Left
	Solenoid Valve	A0J012	1	No.8 : Cuff/Short Sleeve Clamp , Cuff Adjuster : Right
	Solenoid Valve	A0J012	1	No.11 : Tuck Press
	Solenoid Valve	A0J012	1	No.18 : Neck Clamp
	Solenoid Valve	A0J012	1	No.15 : Steam
	Solenoid Valve	A0J012	1	No.3 : Shoulder Press
	Solenoid Valve	A0E021	1	No.13,22 : Side Expander
	Gasket	A0J005	9	
409	Joint	C0C010	2	
410	Joint	C0C100	1	
411	Manifold Valve	A0F152	1	
412	Solenoid Valve	A0E020	1	No.12 : Body Press
	Solenoid Valve	A0E022	1	No.24,25 : Cuff Unit Up & Down
	Gasket	A0J009	2	
413	Joint	C0C098	1	
414	Joint	C0C008	4	
415	Silencer	C0A006	2	
416	Regulator	D0E026	2	(Changeable)
417	Shuttle valve	A0G012	1	
418	Joint	C0C052	3	
419	Joint	C0C054	2	
420	Joint	C0C065	1	
421	Speed Controller	C1G006	6	
422	Speed Controller	C1G007	6	
423	Speed Controller	C1G020	1	
424	Solenoid Valve Cover	S1B587	1	

5: Steam Piping

REV: 1

3DLP590U-V1-055-1



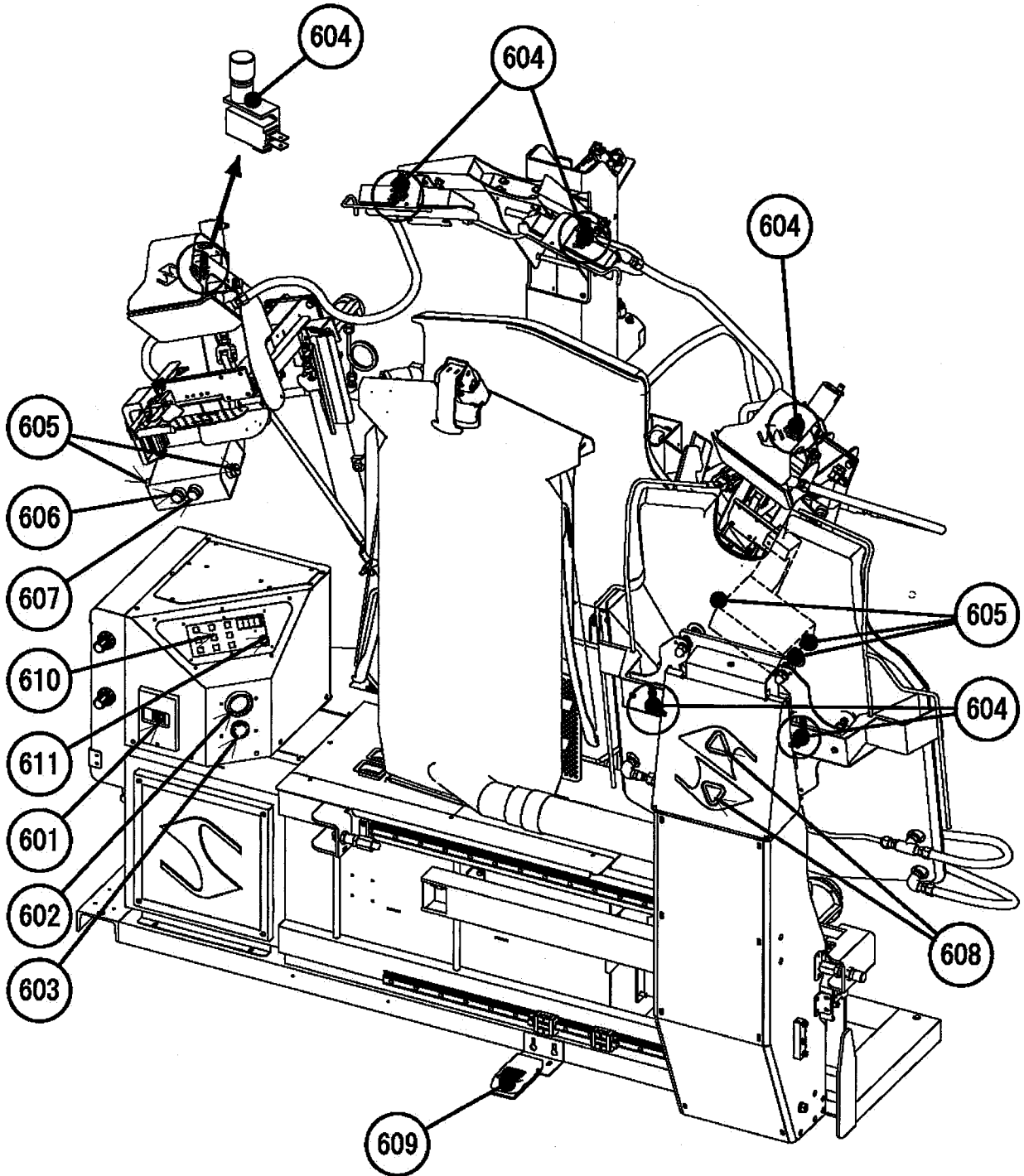
5: Steam Piping

REV:1

No.	Part Name	Part Number	Q'ty	Remark
501	Flex. Hose	A6B020	6	
502	Flex. Hose	A6B022	2	
503	Air Muffler	J0A001	2	
504	Steam Gauge	J0A003	1	
505	Y Type Strainer	J2M006	1	
506	Ball Valve	J6A007	1	
507	Piston Valve	A0G003	1	
508	Joint	C0E001	1	
509	Lift Check	J2J001	1	
510	Radiator	RD200	1	
511	Front Press Piping Cover(Upper)	S1B586	1	
512	Front Press Piping Cover (Lower Right)	S1B570	1	

6: Control Box - Switch Diagram REV: 1

3DLP590U-V1-056-1



6: Control Box - Switch Diagram

REV:1

No.	Part Name	Part Number	Q'ty	Remark
601	Breaker Switch	21C007	1	
602	Push Button Switch	21I111	1	Reset
	Push Button Switch Cap	21I133	1	
603	Push Button Switch	21I107	1	Emergency
604	Push Button Switch	21I085	6	Safety Bar
605	Push Button Switch	21I148	5	Left/Right Start
606	Push Button Switch	21I108	1	Size Adjustment
607	Push Button Switch	21I109	1	Short Sleeve
608	Push Button Switch	21M017	2	Cuff Unit Up & Down
609	Foot Pedal Unit	FP-UNT-002	1	
	Micro Switch	21E001	1	
	Foot Pedal Spring	H0D019	1	
610	Panel Sheet	LP590U-V1-00	1	
611	Knob	21D006	1	