



sankosha®
PRESS AND PROGRESS

PM-460E

Ersatzteile

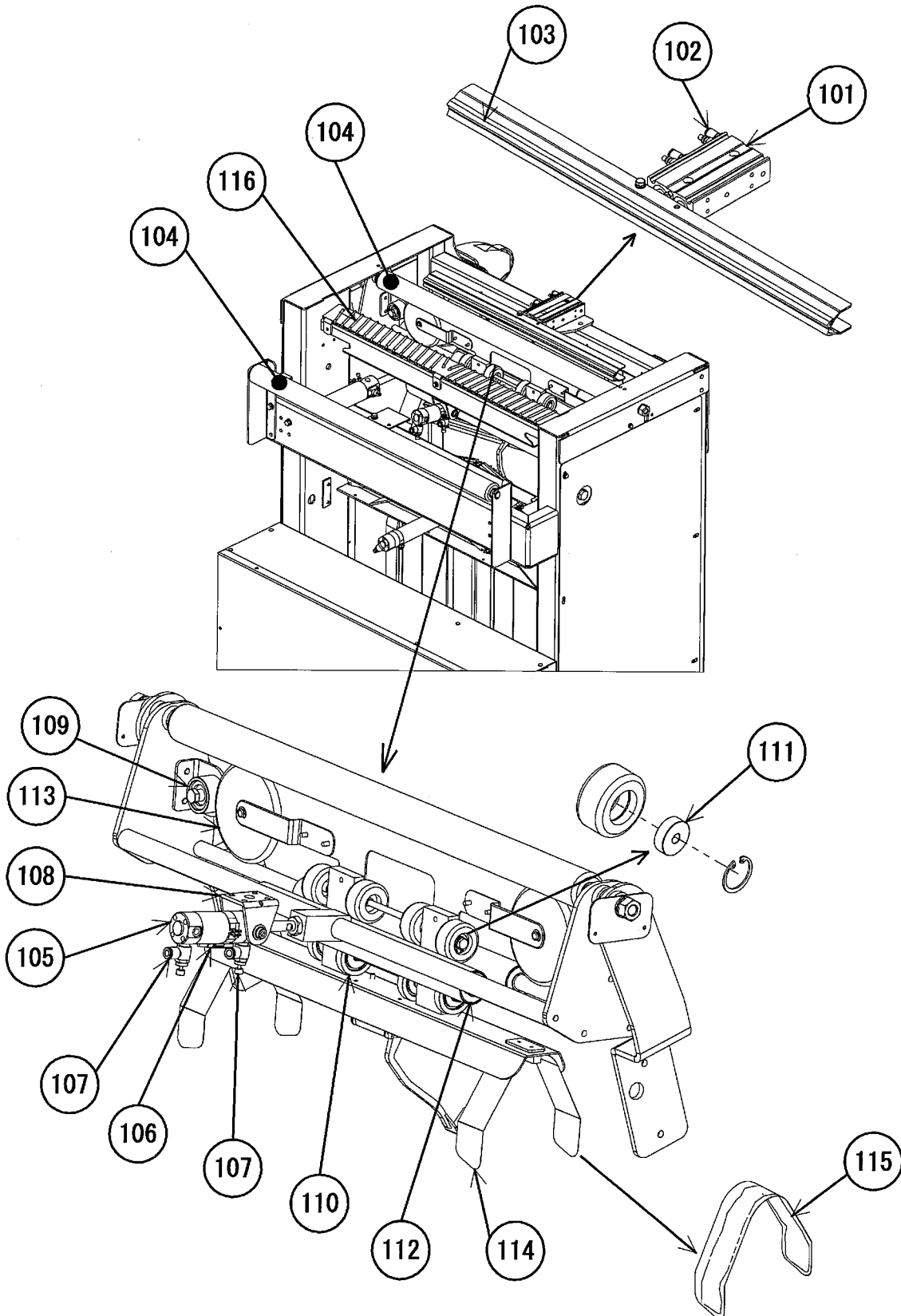
Spare Parts List

Index

- 1: Film Hold and Opener Diagram**
- 2: Seal and Cut Diagram**
- 3: Film Clamp and Drive Unit Diagram**
- 4: Film Stock Diagram**
- 5: Switch/Solenoid Valve Diagram**

1 : Film Hold and Opener Diagram REV:1

3DPM460E-V1-051-1



1 : Film Hold and Opener Diagram

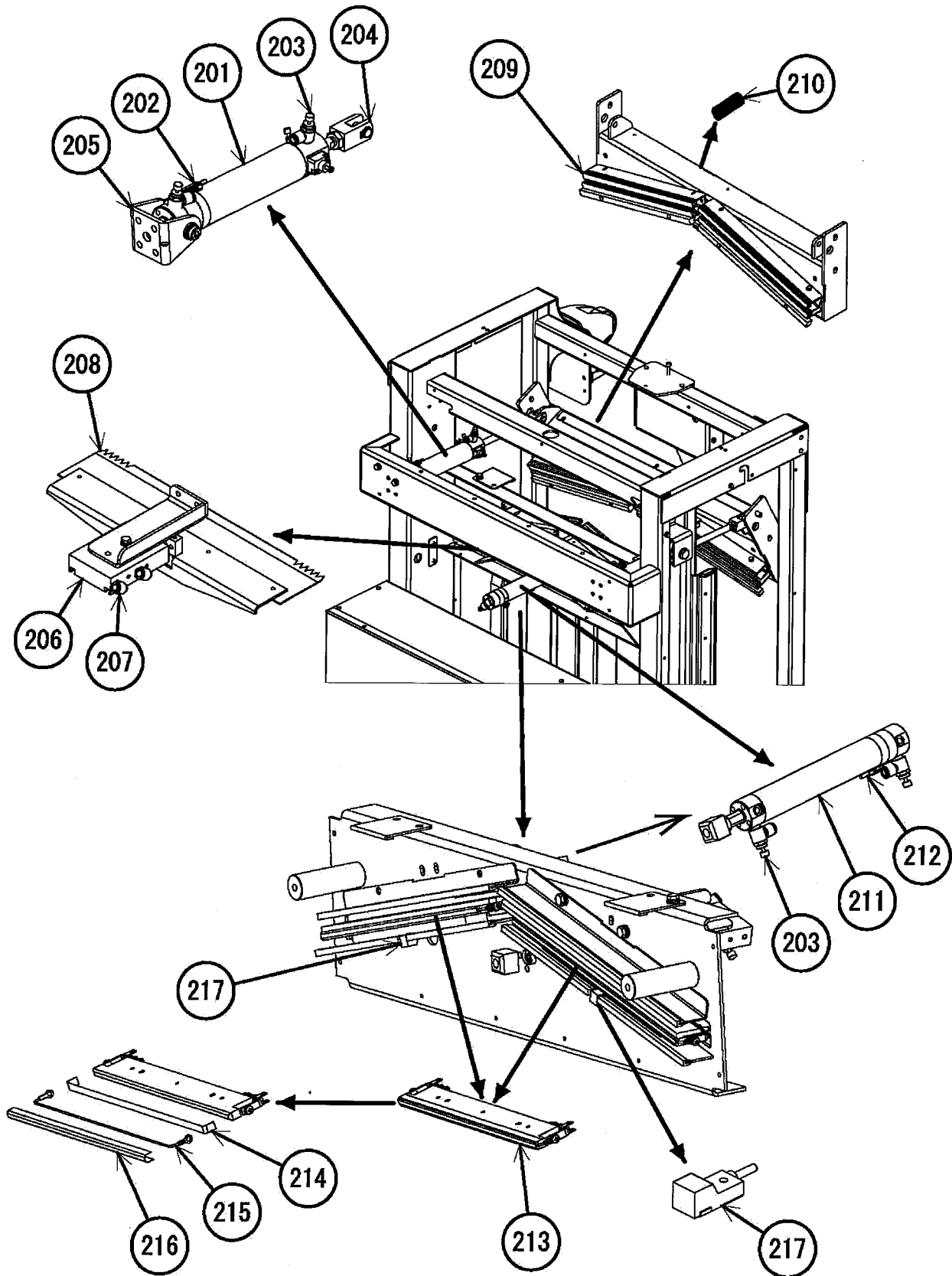
REV:1

No.	Part Name	Part Number	Q'ty	Remark
101	Cylinder	B2L001	1	Film Hold
102	Speed Controller	C1A005	2	
103	Rubber Packing	E5V011	2	Length: 520mm
104	Free Roller	E5M003	2	
105	Cylinder	B2I035	1	Film Opener
106	Cylinder Sensor	B5A006	1	
	Sensor Band	B5D002	1	
107	Speed Controller	C1A012	2	
108	Cylinder Holder	B6G003	1	
109	Plus Cap Roller	E5P001	2	
110	Delrin Bearing	E4H004	4	
111	Bearing	E4B013	4	
112	Bearing	E4B009	4	
113	Film Opening Roller	Q0B058	2	
114	Leaf Spring	H6B006	2	
115	Leaf Spring Cover	S1F002	2	
116	Antistatic Rope	E5V033	2	Length: 1550mm

2 : Seal and Cut Diagram

REV:1

3DPM460E-V1-052-1



2 : Seal and Cut Diagram

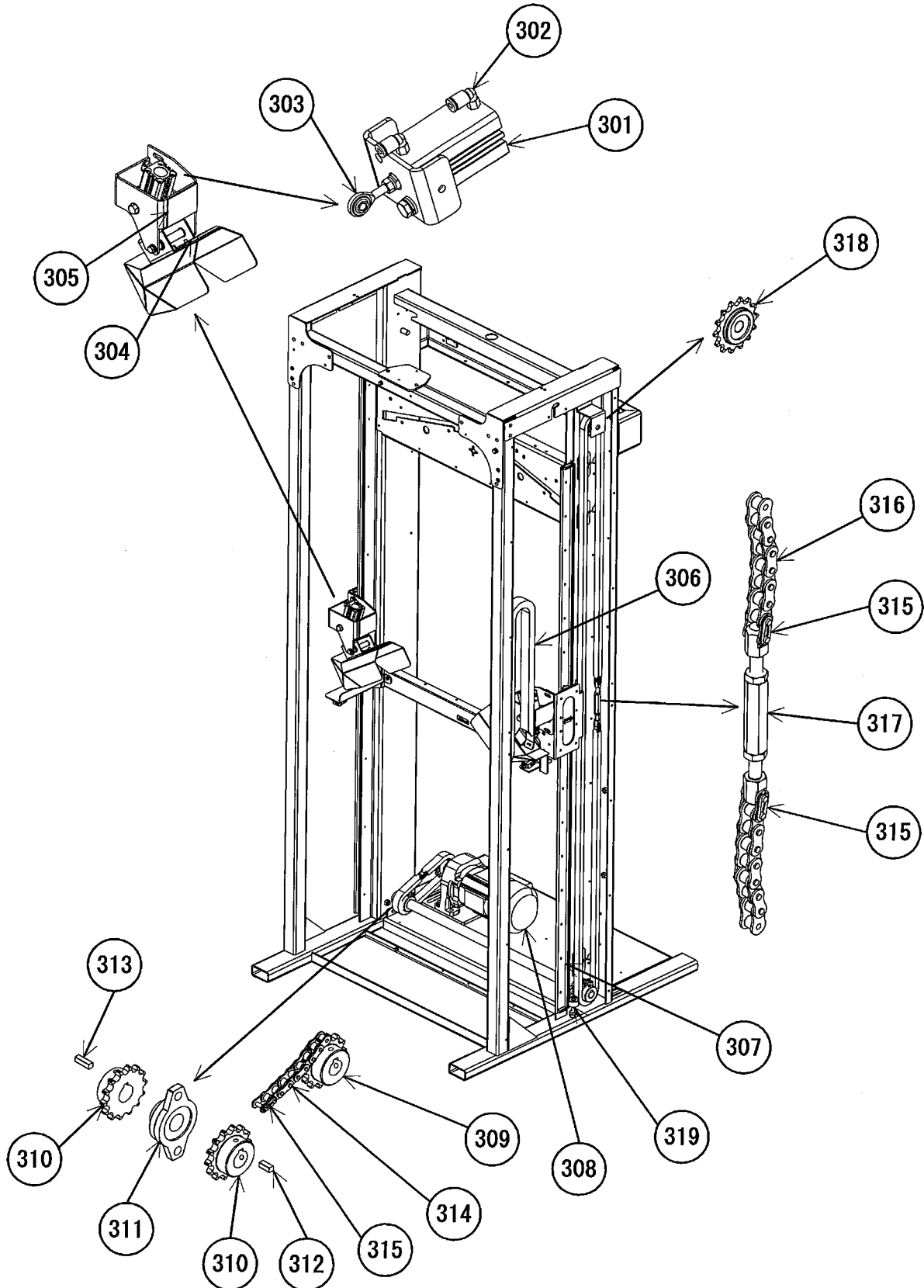
REV:1

No.	Part Name	Part Number	Q'ty	Remark
201	Cylinder	B2I036	2	Seal and Cut
202	Cylinder Sensor	B5A006	2	
	Sensor Band	B5D004	2	
203	Speed Controller	C1A012	6	
204	Knuckle Joint	B6B017	2	
205	Cylinder Holder	B6G004	2	
206	Cylinder	B2C016	2	Film Cutter
207	Air Joint	C0C020	4	
208	Film Cutter	H0A002	2	
209	Holder Rubber	Q0B010	4	
210	Spring	H0H003	4	
211	Cylinder	B2I034	1	Retrive
212	Cylinde Sensor	B5A006	1	
	Sensor Band	5D002	1	
213	Heater Unit	AP-05-AA08934	2	
214	Teflon Tape	50A002	2	Length: 310mm
215	Heater Wire	PM460J-V1-817	2	
216	Teflon Tape	50A002	2	Length: 290mm
217	Sensor	20P001	2	Bites Detection

3 : Film Clamp / Drive Unit Diagram

REV:1

3DPM460E-V1-053-1



3 : Film Clamp / Drive Unit Diagram

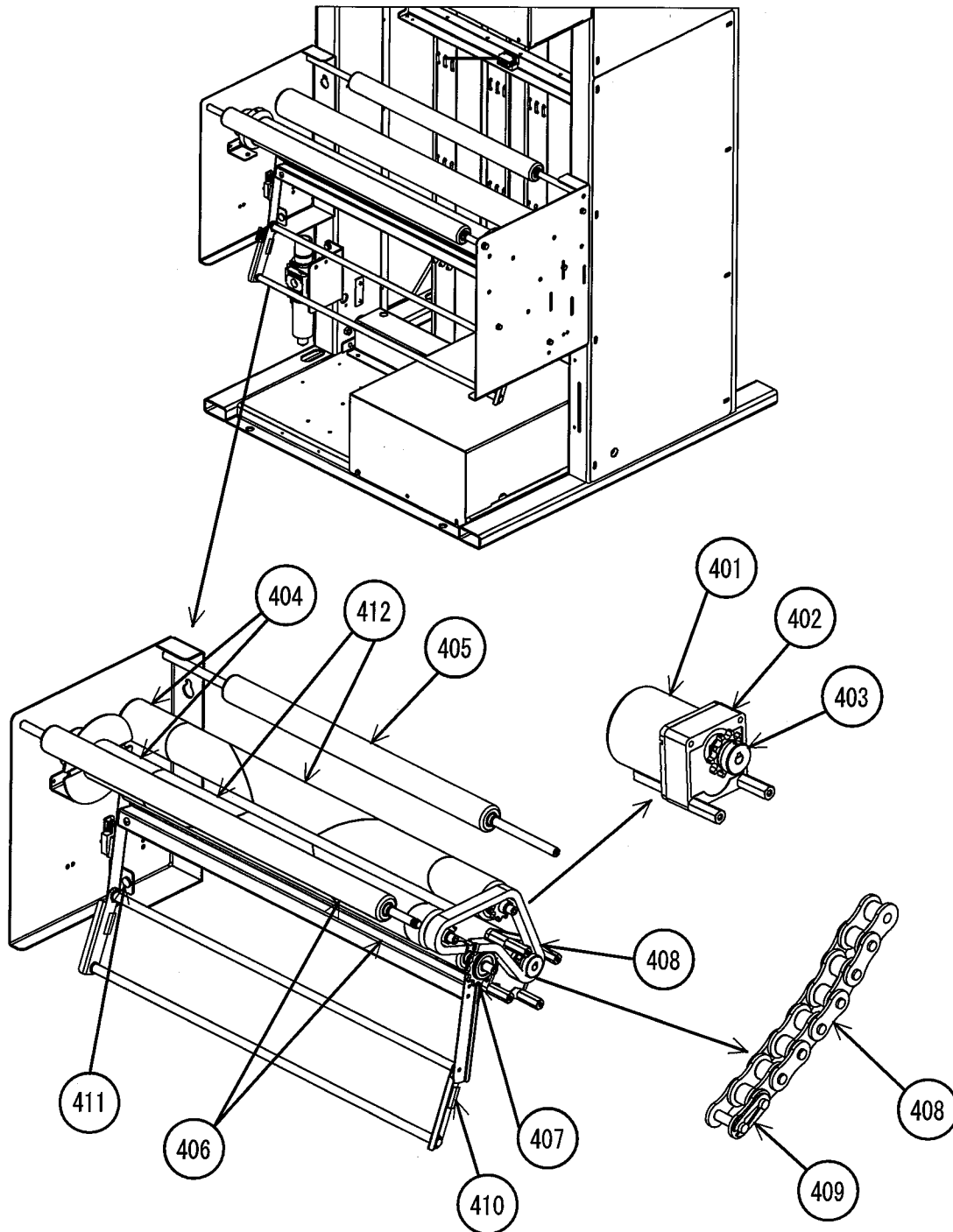
REV:1

No.	Part Name	Part Number	Q'ty	Remark
301	Cylinder	B2J052	2	Film Clamp
302	Air Joint	C0C053	4	
303	Rod End	E5C004	2	
304	Rubber Plate A	P0A009	2	
305	Rubber Strip	Q0B016	2	Length: 60mm
306	EZ Chain	K1B106	1	
307	Slide Pack	E1B007	2	
308	Motor	G0D019	1	
309	Sprocket	G3B009	1	Motor side
310	Sprocket	G3B008	3	Pillar side
311	Bearing Unit	E4A012	2	
312	Parallel Key	H5J015	1	
313	Parallel Key	H5J001	2	
314	Roller Chain	G2E015	1	
315	Chain Joint	G2F001	5	
316	Roller Chain	G2E007	2	
317	Turn Buckle	G2D001	2	
318	Idler Sprocket	G3A004	2	
319	Stopper Bolt	F0E012	2	

4 : Film Stock Diagram

REV:1

3DPM460E-V1-054-1



4 : Film Stock Diagram

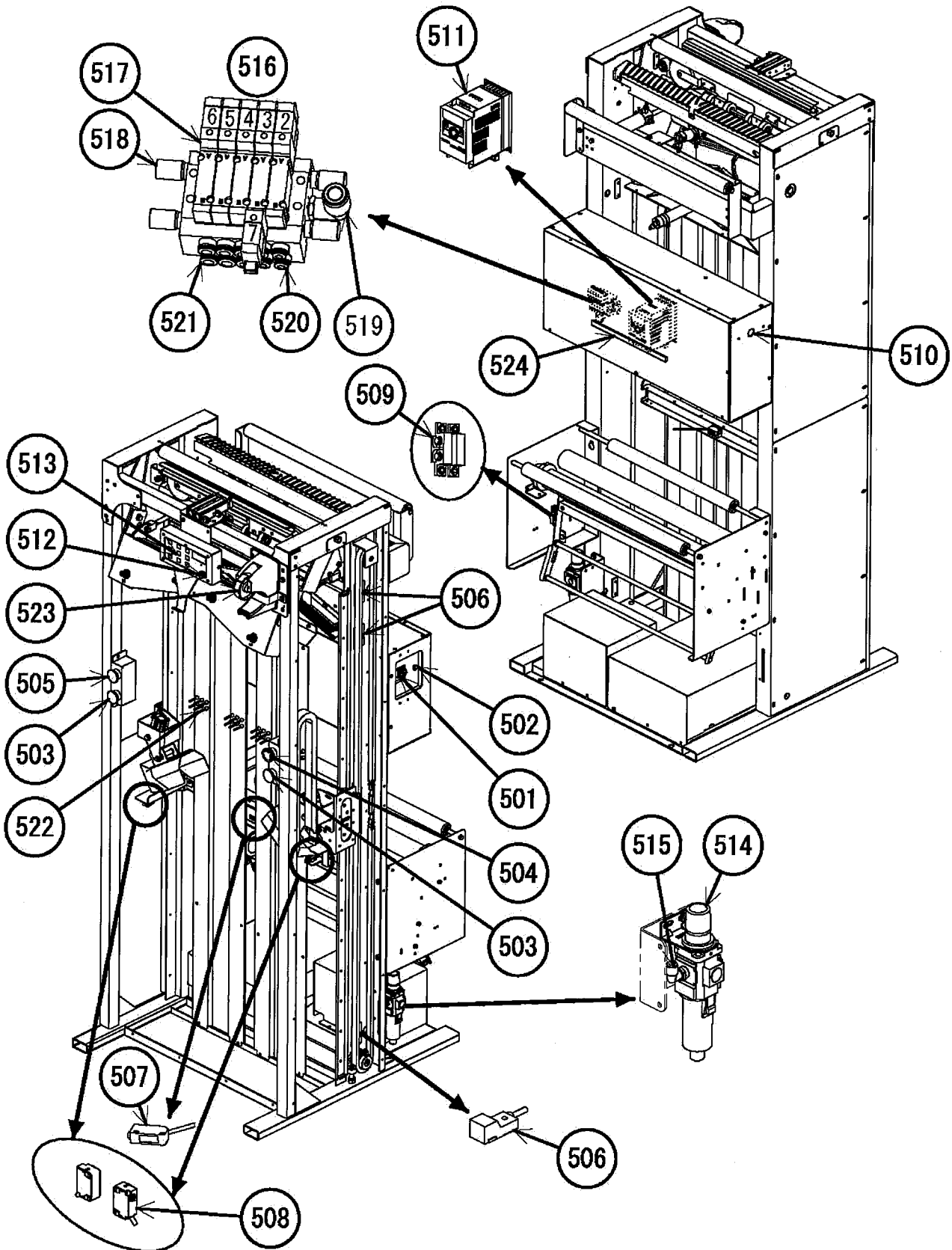
REV:1

No.	Part Name	Part Number	Q'ty	Remark
401	Motor	G0D021	1	Film feed
402	Gear	G0D020	1	
403	Sprocket	G3B016	1	
404	Drive Roller	E5M001	2	
405	Free Roller	E5M002	1	
406	Free Roller	E5M003	2	
407	Idler Sprocket	G3A004	1	
408	Roller Chain	G2E004	1	
409	Chain Joint	G2F001	1	
410	Rubber Packing	E5V011	2	Length: 30mm
411	RUBBER LEG	20Z006	3	
412	Drive Belt	S1F007	2	

5 : Switch/Solenoid Valve Diagram

REV:1

3DPM460E-V1-055-1



5 : Switch / Solenoid Valve Diagram

REV:1

No.	Part Name	Part Number	Q'ty	Remark
501	Breaker	21C006	1	
502	Toggle Switch	20L014	1	Reverse/Forward Switch
503	Push Button Switch	21I110	2	Start Button
504	Push Button Switch	21I107	1	Emergency Button
505	Push Button Switch	21I111	1	Reset Button
506	Proximity Sensor	20P001	3	Clamp Upper/Safety/Lower
507	Reflector Photoelectric Sensor	20P036	1	Article Detection(Center)
508	Thrubeam Photoelectric Sensor	20P037	1	Article Detection(Left/Right)
509	Magnetic proximity sensor	20P029	1	Film Detection
510	Buzzer	20Y003	1	
511	Inverter	20C014	1	
512	Knob	21D006	1	
513	Panel Sheet	PM460E-V1-00	1	
514	Filter Regulator	D0H010	1	
515	Air Joint	C0C023	1	
516	Manifold Valve	A0F127	1	
517	Solenoid Valve	A0E012	1	No.2: Film Clamp
	Solenoid Valve	A0E017	1	No.3,7: Film Holding
	Solenoid Valve	A0E012	1	No.4: Cutter
	Solenoid Valve	A0E012	1	No.5: Retrive
	Solenoid Valve	A0E012	1	No.6: Seal Cut
	Interface Gasket	A0J005	5	
518	Silncer	C0A003	4	
519	Air Joint	C0C021	1	
520	Air Joint Assy	A0J007	4	
521	Air Joint Assy	C0J039	6	
522	Antistatic Rope	E5V033	6	Length: 150mm
523	Tape Cutter	Q0A043	1	
524	Magnet Bar	Q0A044	1	