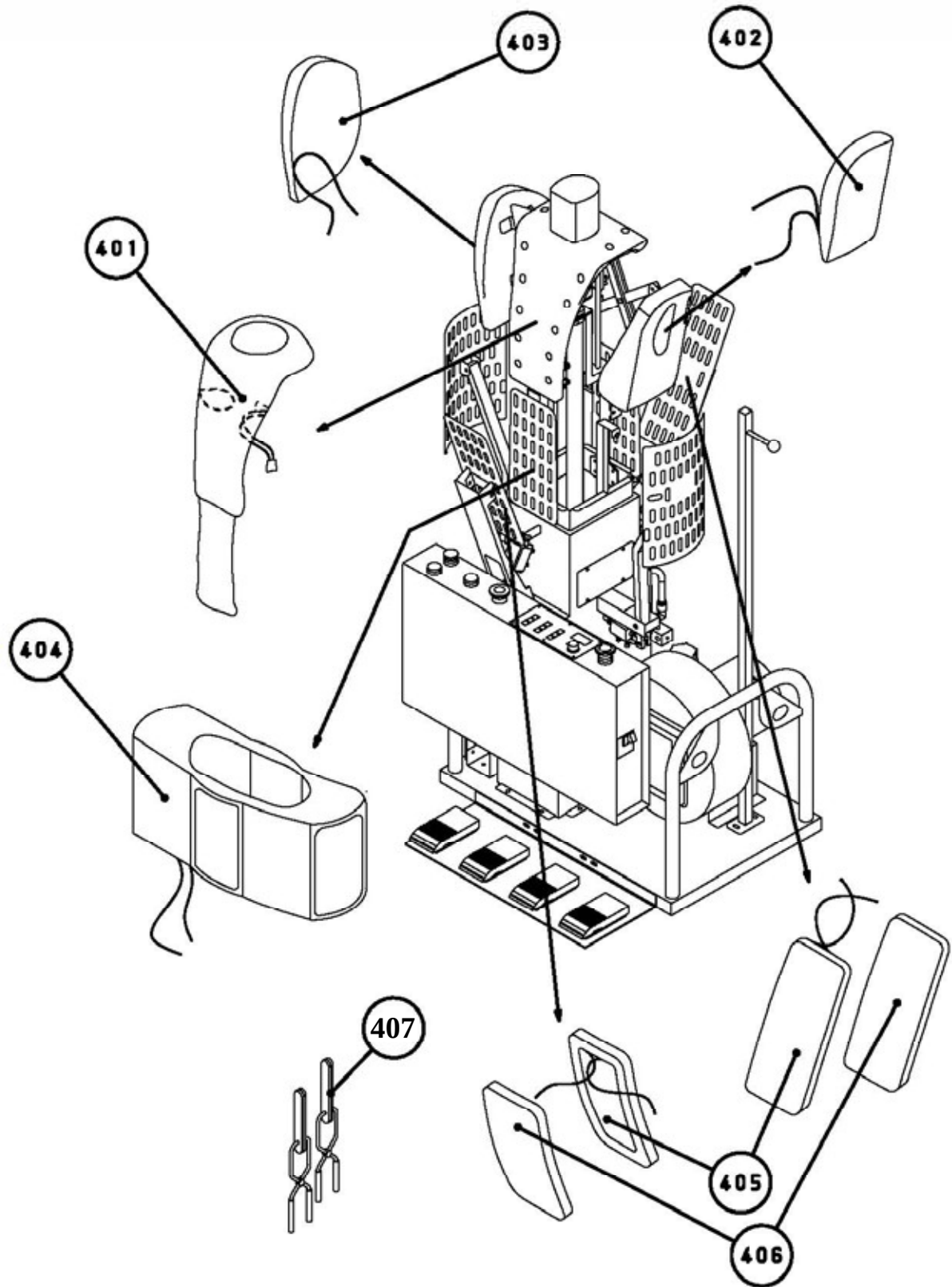


Bezüge DF50E-V3



Bezüge DF-50E-V3

Nr.	Artikelbezeichnung	Bestellnummer	Menge
401	Upper Body Cover	SAS1D044	1
402	Shoulder Cover Right	SAS1D045	1
403	Shoulder Cover Left	SAS1D046	1
404	Lower Body Cover	SAS1D047	1
405	Wire Fillet Front / Rear Clamp Cover	SAS1D048	2
406	Front / Rear Clamp Matt	SAS1D051	2
407	Vent Clips	SAQ0H001	2



sankosha
PRESS AND PROGRESS