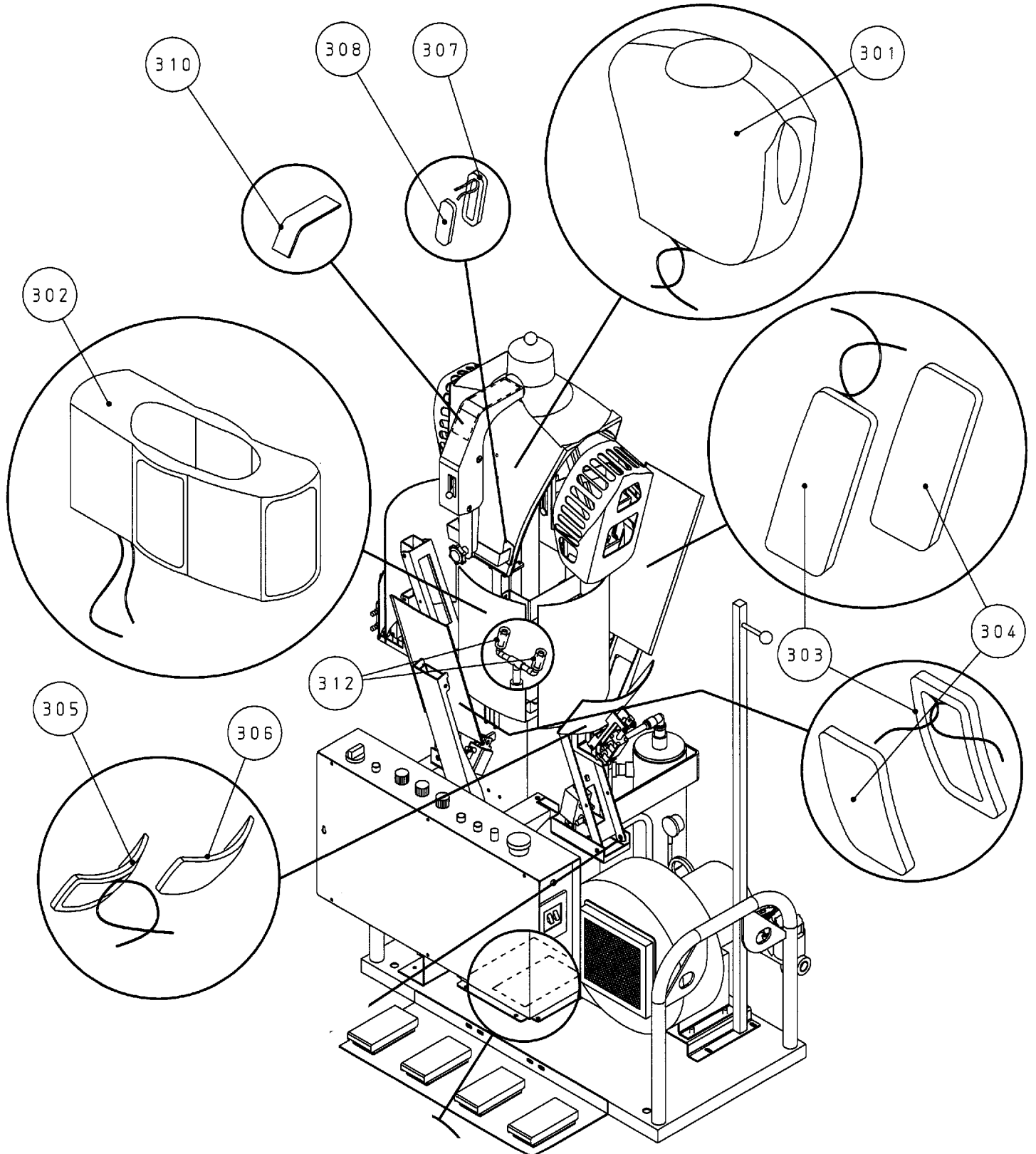


# Bezüge DF-050E

ab Seriennummer E210018



# Bezüge DF-050E

Nr.	Artikelbezeichnung	Bestellnummer	Menge
301	Body Cover	SAS1D032	1
302	Lower Body Cover	SAS1D033	1
303	Front & Rear Clamp Cover	SAS1D034	2
304	Front & Rear Clamp Mat	SAS1D035	2
305	Side Clamp Cover	SAS1D036	2
306	Side Clamp Mat	SAS1D037	2
307	Label Clamp Cover	SAS1D038	2
308	Label Clamp Silicone	SAS1D039	2