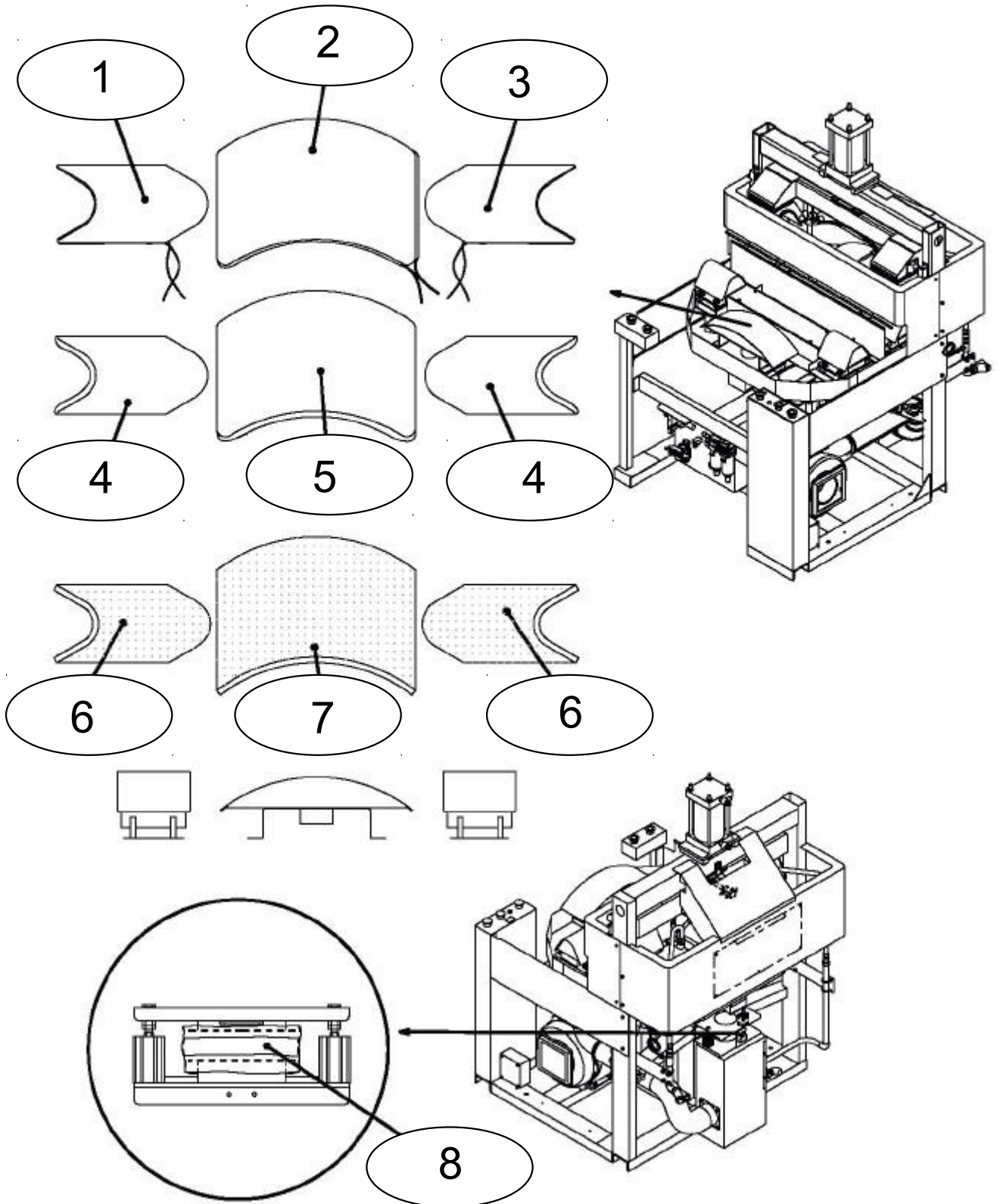


# LP 300



# Alle Bezüge LP-300

<b>Nr.</b>	<b>Artikelbeschreibung</b>	<b>Bestellnummer</b>	<b>Menge</b>	
1	Cuff Cover Left	SAS1C105	2	
2	Collar Cover	SAS1C101	2	
3	Cuff Cover Right	SAS1C104	2	
4	Cuff Felt Pad	SAS1C106	4	
5	Collar Felt Pad	SAS1C102	2	
6	Cuff Silicone Sponge	SAS1C107	4	
7	Collar Silicone Sponge	SAS1C103	2	
8	Blower Cover	SASOC207	1	