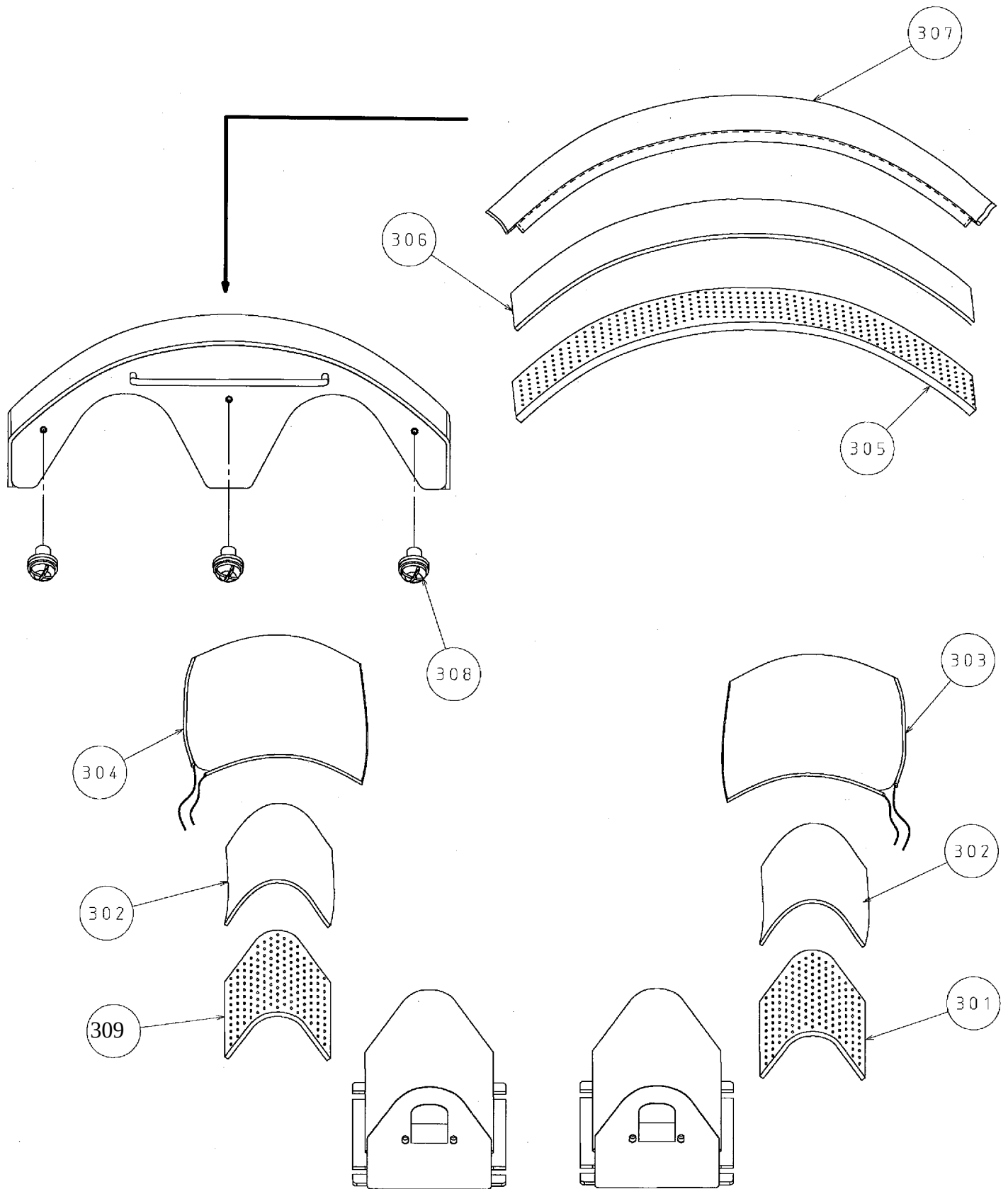


Bezüge LP-660E



BezügeLP-660E

Nr.	Artikelbezeichnung	Bestellnummer	Menge
301	Collar Silicone Right	SAS1C062	1
302	Cuff Felt Pad 10mm	SAS1C061	2
303	Cuff Nomex Cover Right	SAS1C059	1
304	Cuff Nomex Cover Left	SAS1C060	1
305	Collar Silicone Mat 10mm	SAS1C057	1
306	Collar Felt Pad 8 mm	SAS1C056	1
307	Collar Cover	SAS1C055	1
308	Screw	SASUS-Semus M6X15	3
309	Cuff Silicone Sponge Left	SAS1C063	1



sankosha[®]
PRESS AND PROGRESS