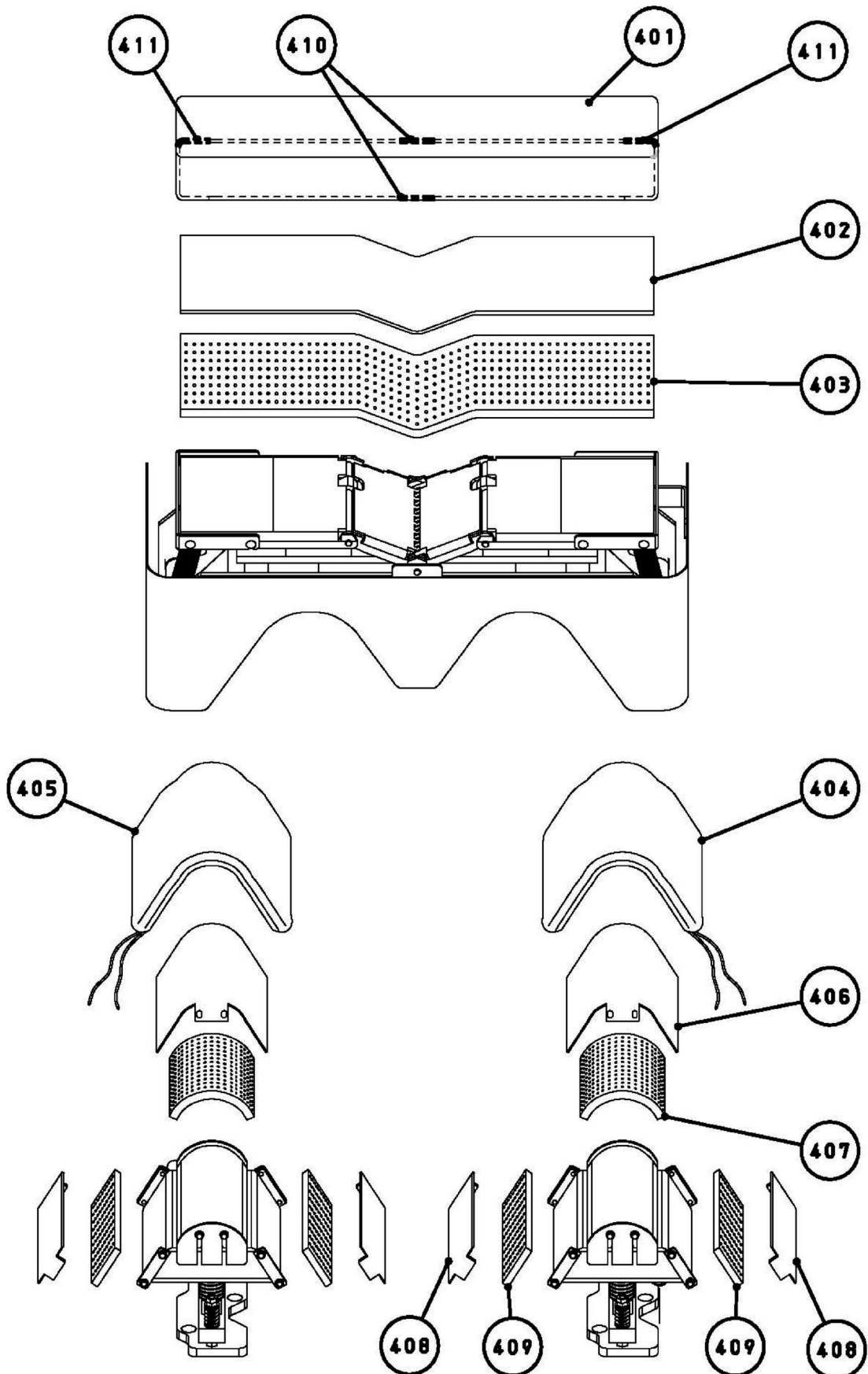


Bezüge LP-690E



BezügeLP-690E

Nr.	Artikelbezeichnung	Bestellnummer	Menge
401	Collar Cover	SAS1C065	1
402	Collar Felt Pad 10mm	SAS1C066	1
403	Collar Silicone Sponge	SAS1C067	1
404	Cuff Cover Right	SAS1C068	1
405	Cuff Cover Left	SAS1C069	1
406	Cuff Double Felt Pad Large	SAS1C070	2
407	Cuff Silicone Sponge Large	SAS1C072	2
408	Cuff Double Felt Pad Small	SAS1C071	4
409	Cuff Silicone Sponge Small	SAS1C073	4



sankosha[®]
PRESS AND PROGRESS