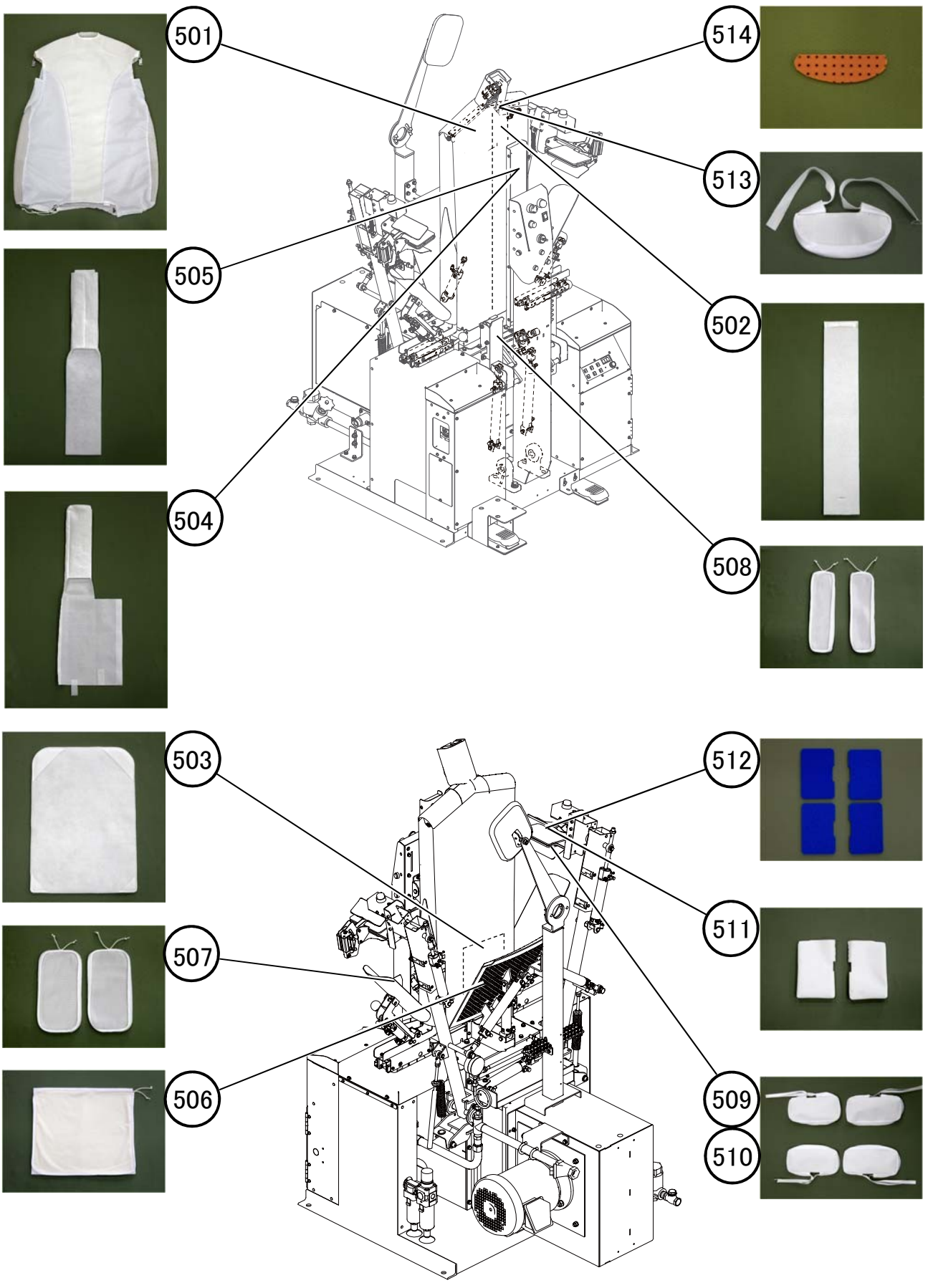


Bezüge MF-350E



Bezüge MF-350E

Nr.	Artikelbezeichnung	Bestellnummer	Menge
501	Oberbezug	SAS1D560	1
502	Front Clamp Reciever Pad 5mm	SAS1D561	1
503	Tail Clamp Receiver Pad 5mm	SAS1D544	1
504	Front Clamp Cover	SAS1D562	1
505	Front Clamp Felt Pad 5mm	SAS1D563	1
506	Rear Clamp Cover	SAS1D547	1
507	Side Clamp Cover	SAS1D564	2
508	Front Hem Clamp Cover	SAS1D565	2
509	Cuff Clamp Cover (Right Upper/Left Lower)	SAS1B040	2
510	Cuff Clamp Cover (Left Upper/Right Lower)	SAS1B041	2
511	Cuff Pedestal Cover	SAS1D179	2
512	Cuff Pedestaal Silicone	SAS1D180	4
513	Neck Clamp Cover	SAS1B022	1
514	Neck Clamp Silicone	SAS1B023	1



sankosha®
PRESS AND PROGRESS