

Ersatzteilliste ALP-5400B-V1

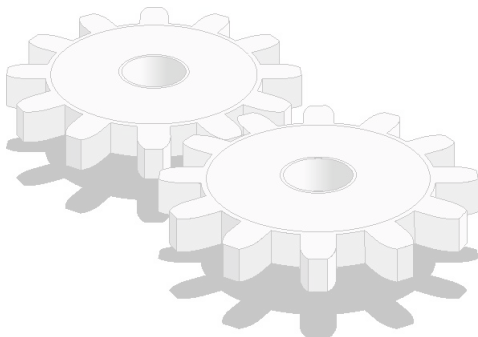


CAUTION

Turn off the power and stop the air when replacing part.
Let the machine cool down completely before replacing part.
Ignoring these warnings may result in injury or burns.

Index

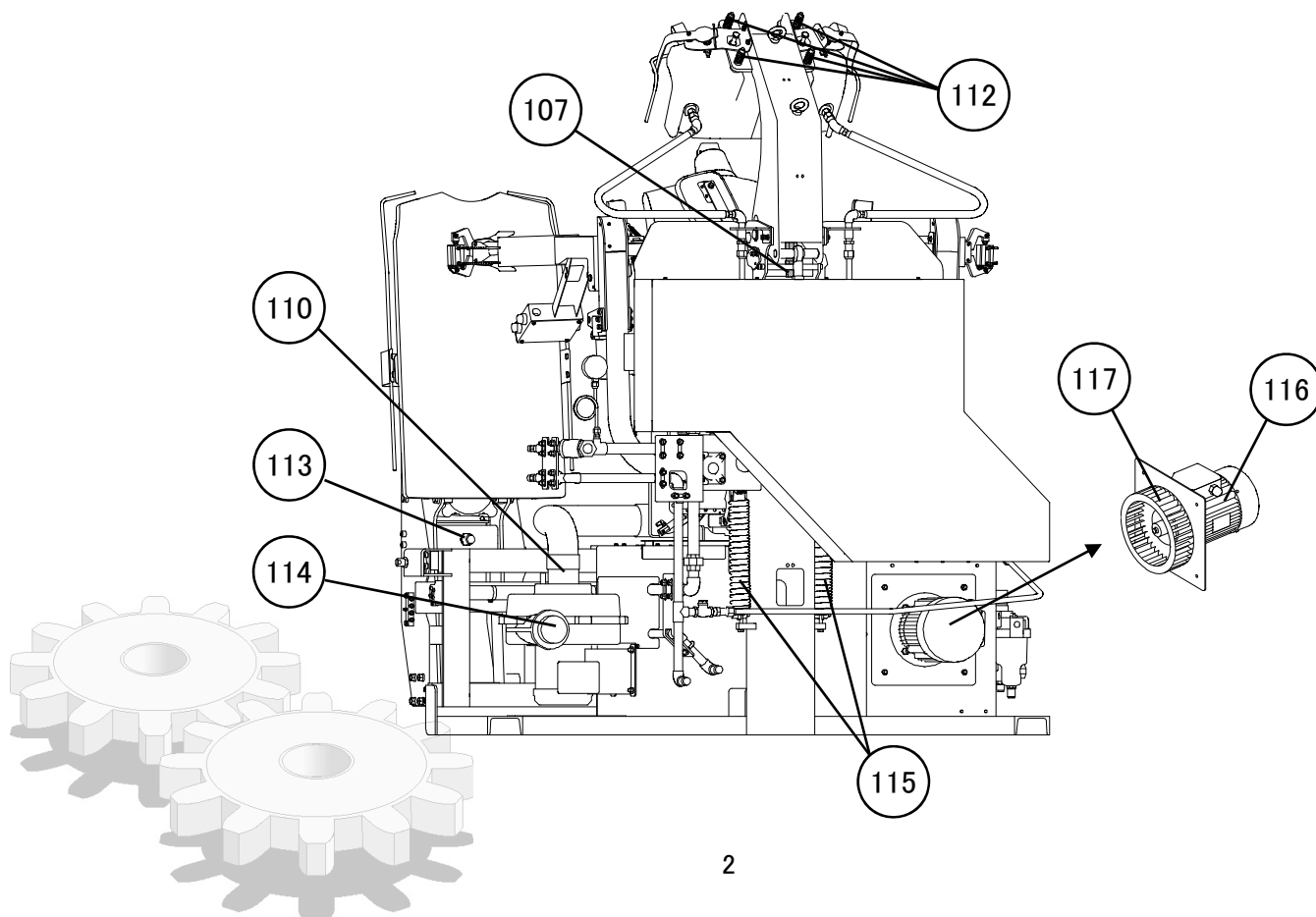
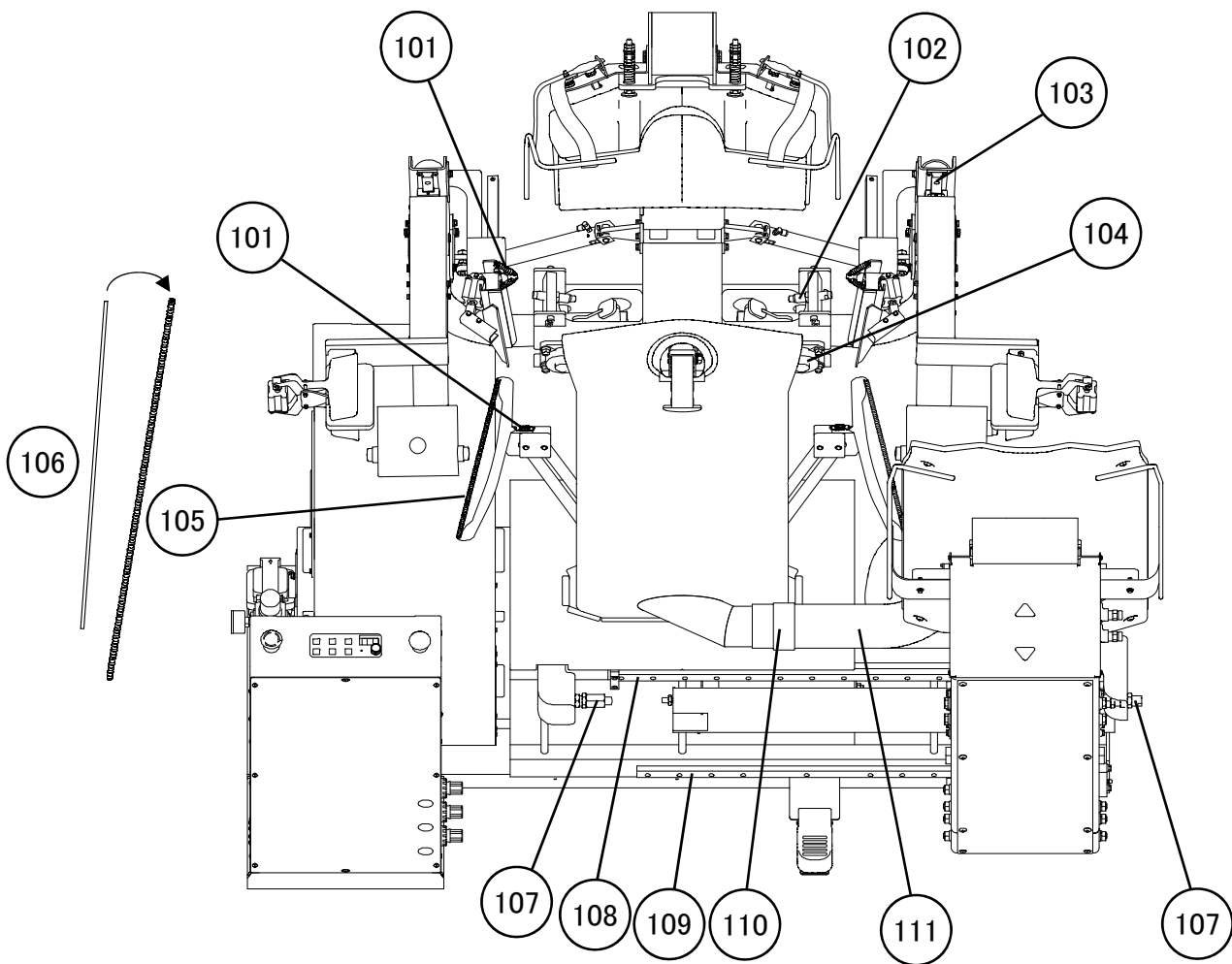
- 1 : Motor / Operation Diagram
- 2 : Air Piping (1)
- 3 : Air Piping (2)
- 4 : Steam Piping Diagram
- 5 : Control Box / Switch Diagram
- 6 : Cover Diagram



Ersatzteilliste ALP-5400B-V1

1 : Motor / Operation Diagram

REV : 0

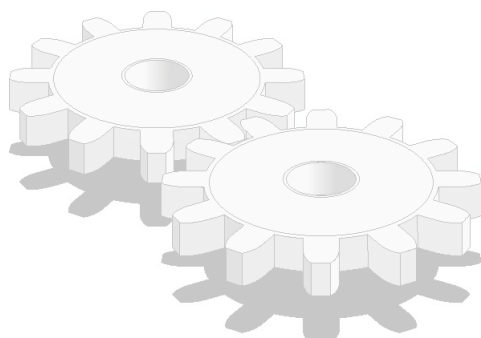


Ersatzteilliste ALP-5400B-V1

1 : Motor / Operation Diagram

REV : 0

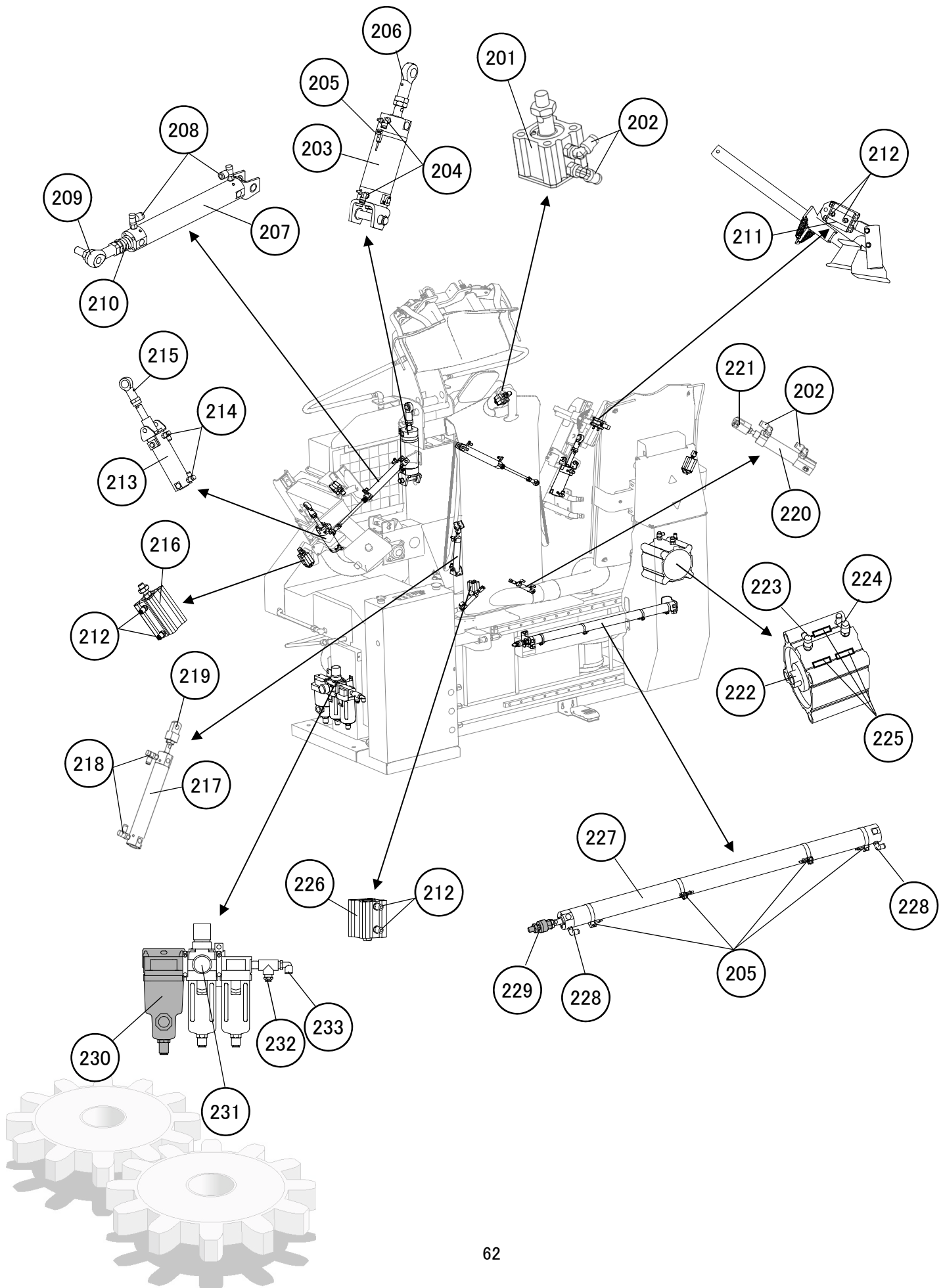
No.	Part Code	Part Name	Q'ty	Remarks
101	H0D004	Spring	6	
102	F0K001	Shock Absorber	2	
103	E0I003	LM Guide	2	
104	E4A001	Bearing Unit	4	
105	H0D015	Spring	2	
106	H0D016	Rod	2	
107	F0K005	Shock Absorber	3	
108	E0B006	LM Guide	1	
109	E0A013	LM Guide	1	
110	K1D004	Vacuum Flex. Hose Cuff	2	
111	K1D003	Vacuum Flex. Hose	1	770mm
112	H0D017	Spring	4	
113	F0K002	Shock Absorber	1	
114	G1A043	Vacuum Motor	1	
115	BSP-UNT-012-1	Balance Spring Unit	2	
116	TBA8017	Motor	1	
117	G2B009	Blower Fan	1	



Ersatzteilliste ALP-5400B-V1

2 : Air Piping (1)

REV : 0

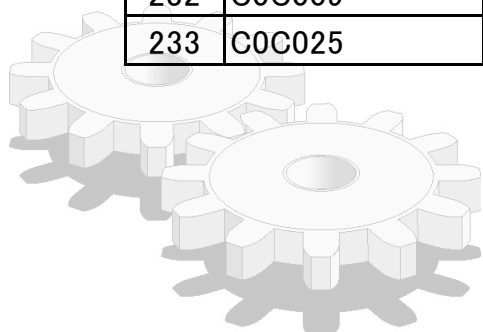


Ersatzteilliste ALP-5400B-V1

2 : Air Piping (1)

REV : 0

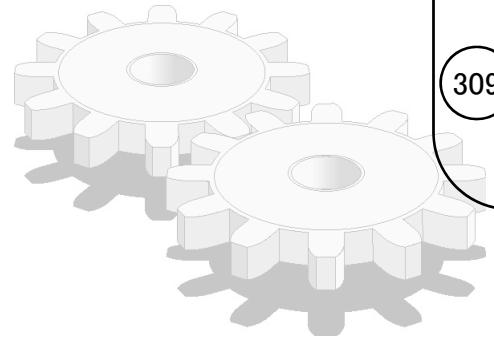
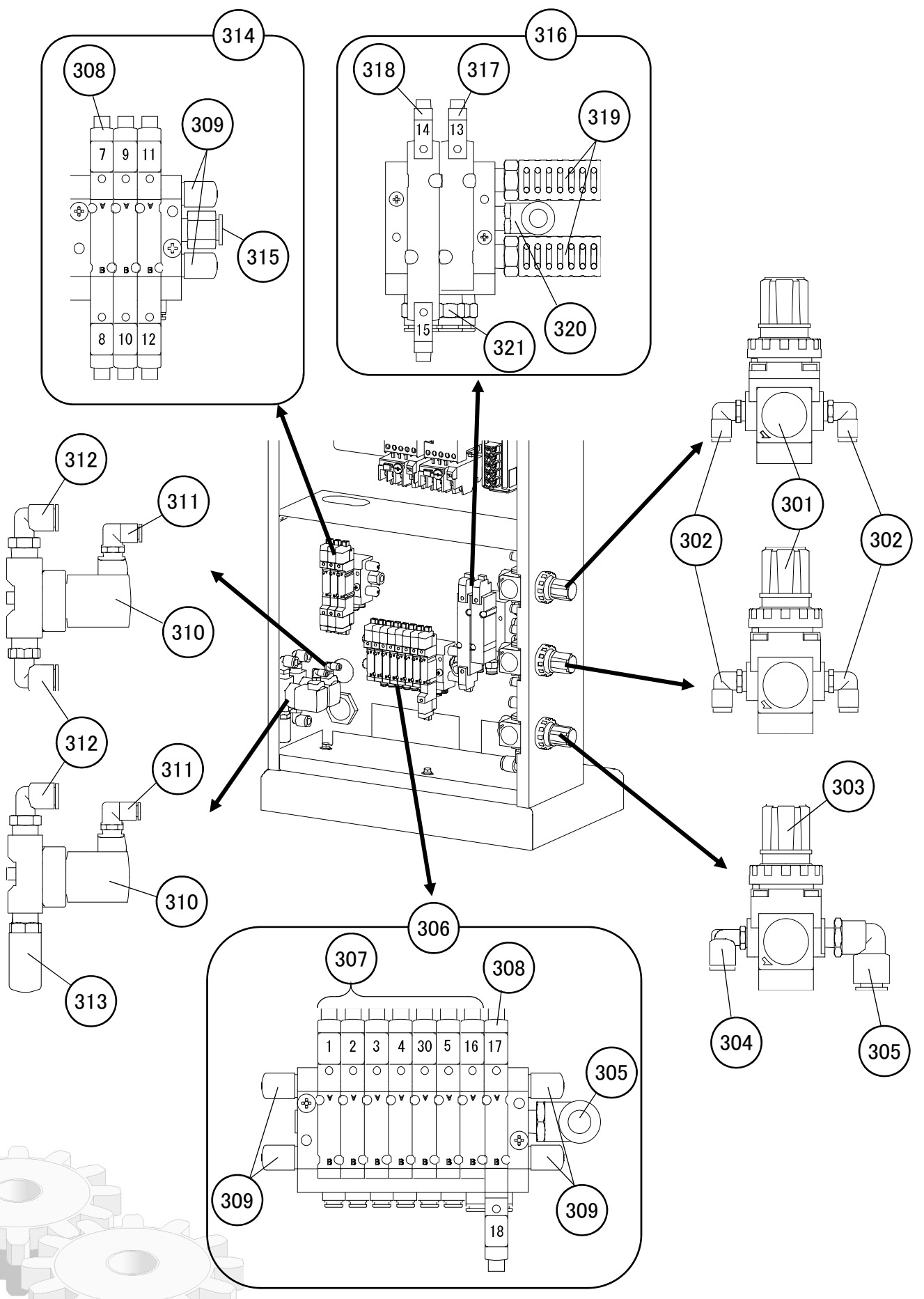
No.	Part Code	Part Name	Q'ty	Remarks
201	B1A007	Cylinder	1	Neck
202	C0C161	Air joint	6	
203	B0U018	Cylinder	1	Shoulder press
204	C0C022	Air joint	2	
205	E5A003	Sensor	5	
206	E5A020	Rod end	1	
207	B0C002	Cylinder	2	Sleeve arm
208	C1A068	Speed controller	4	
209	E5J004	Link ball	2	
210	H0D002	Spring	2	
211	B1B015	Cylinder	2	Short sleeve
212	C0E003	Air joint	10	
213	B0W037	Cylinder	2	Cuff up and down
214	C1A065	Speed controller	4	
215	E5A010	Rod end	2	
216	B1B014	Cylinder	2	Cuff clamp
217	B0E004	Cylinder	1	Tail clamp
218	C1A076	Speed controller	2	
219	B6A002	Knuckle joint	1	
220	B1L015	Cylinder	2	Side expander
221	B6B022	Knuckle joint	1	
222	B1H012	Cylinder	1	Front press
223	C1A079	Speed controller	1	Rod side
224	C1A074	Speed controller	1	Head side
225	E5A012	Sensor	3	
226	B1A005	Cylinder	1	Tail clamp up and down
227	B0K016	Cylinder	1	Transfer
228	C0C018	Air joint	2	
229	E5L001	Floating joint	1	
230	D0G006	Water separator	1	
231	D0F019	Air combination	1	
232	C0C009	Air joint	1	
233	C0C025	Air joint	1	



Ersatzteilliste ALP-5400B-V1

3 : Air Piping (2)

REV : 0

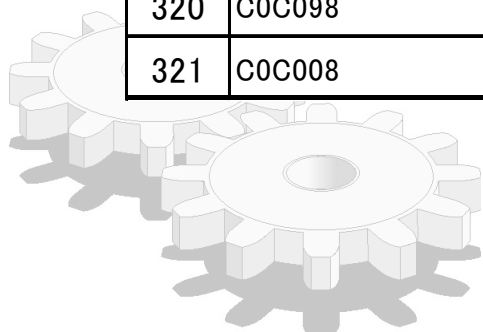


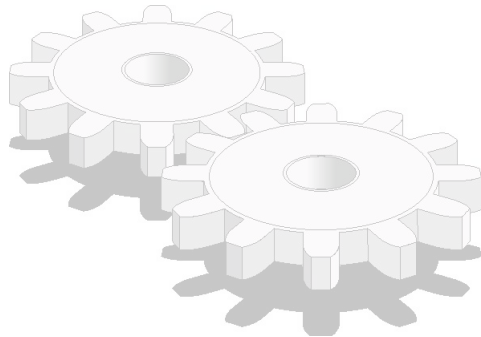
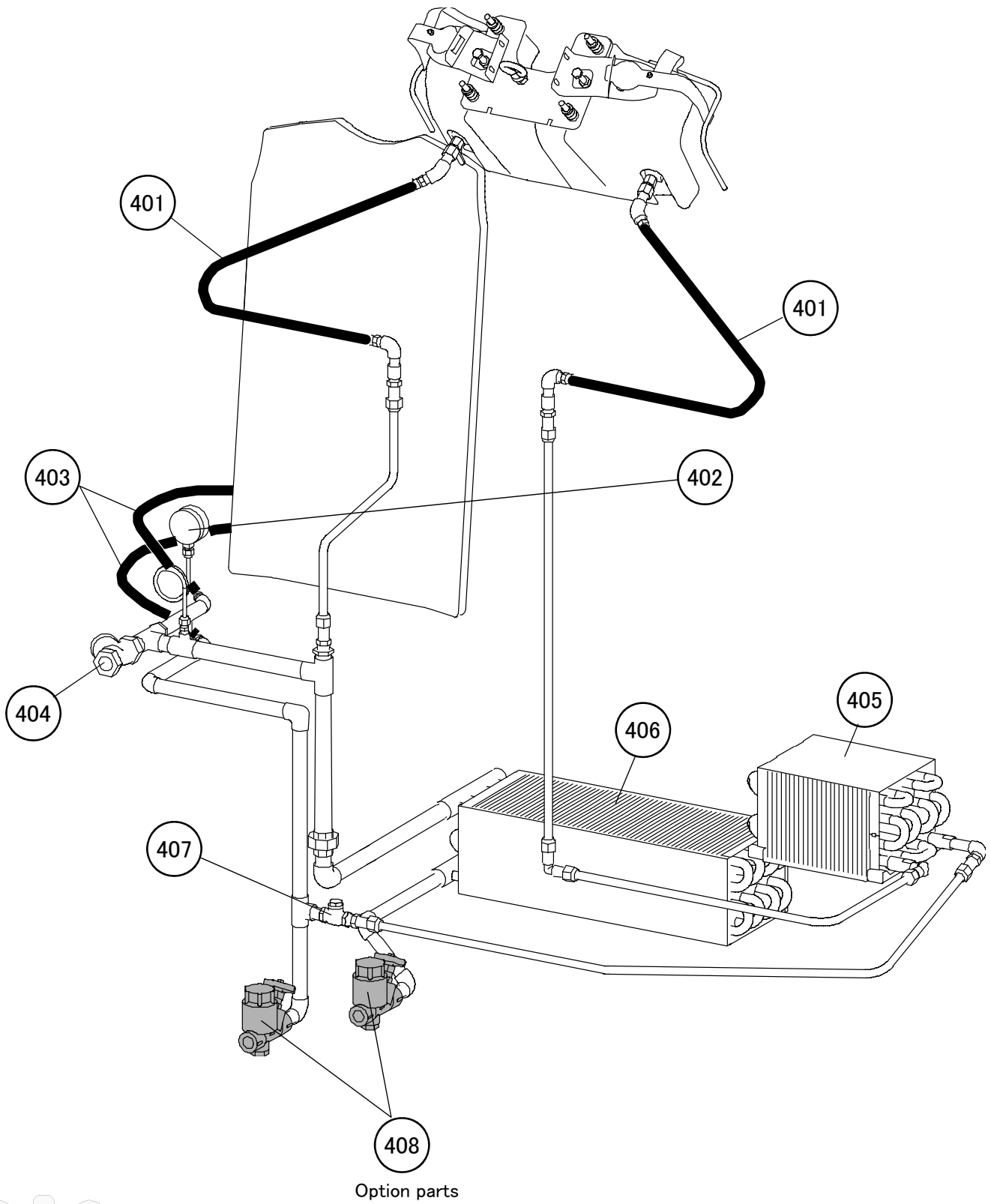
Ersatzteilliste ALP-5400B-V1

3 : Air Piping (2)

REV : 0

No.	Part Code	Part Name	Q'ty	Remark
301	D0E045	Regulator	2	
302	C0C018	Air joint	4	
303	D0E038	Regulator	1	
304	C0C021	Air joint	1	
305	C0C024	Air joint	2	
306	A0F228	Manifold valve	1	
307	A0E012	Solenoid valve	7	1: Tail clamp up 2: Tail clamp close 3: Left cuff clamp close 4: Right cuff clamp close 30: Neck clamp close 5: Cuffs unit down 16: Air supply and exhaust
308	A0E013	Solenoid valve	4	7-8: Left sleeve arm close-open 9-10: Right sleeve arm close-open 11-12: Front press slide to left-right 17-18: Side expander open-close
309	C0A003	Silencer	6	
310	A0G054	Air Valve	2	
311	C0C016	Air joint	2	
312	C0C022	Air joint	3	
313	C0A005	Silencer	1	
314	A0F220	Manifold valve	1	
315	C0C065	Air joint	1	
316	A0F229	Manifold valve	1	
317	A0F012	Solenoid valve	1	13: Shoulder press close
318	A0E019	Solenoid valve	1	14-15: Front press close-open
319	C0A031	Silencer	2	
320	C0C098	Air joint	1	
321	C0C008	Air joint	4	



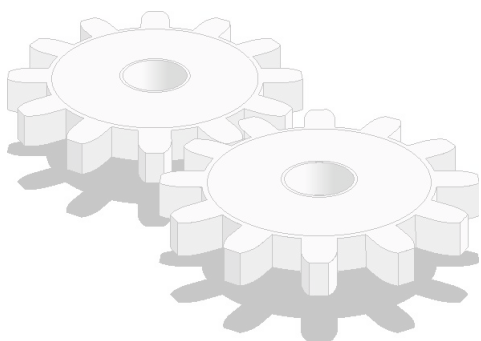


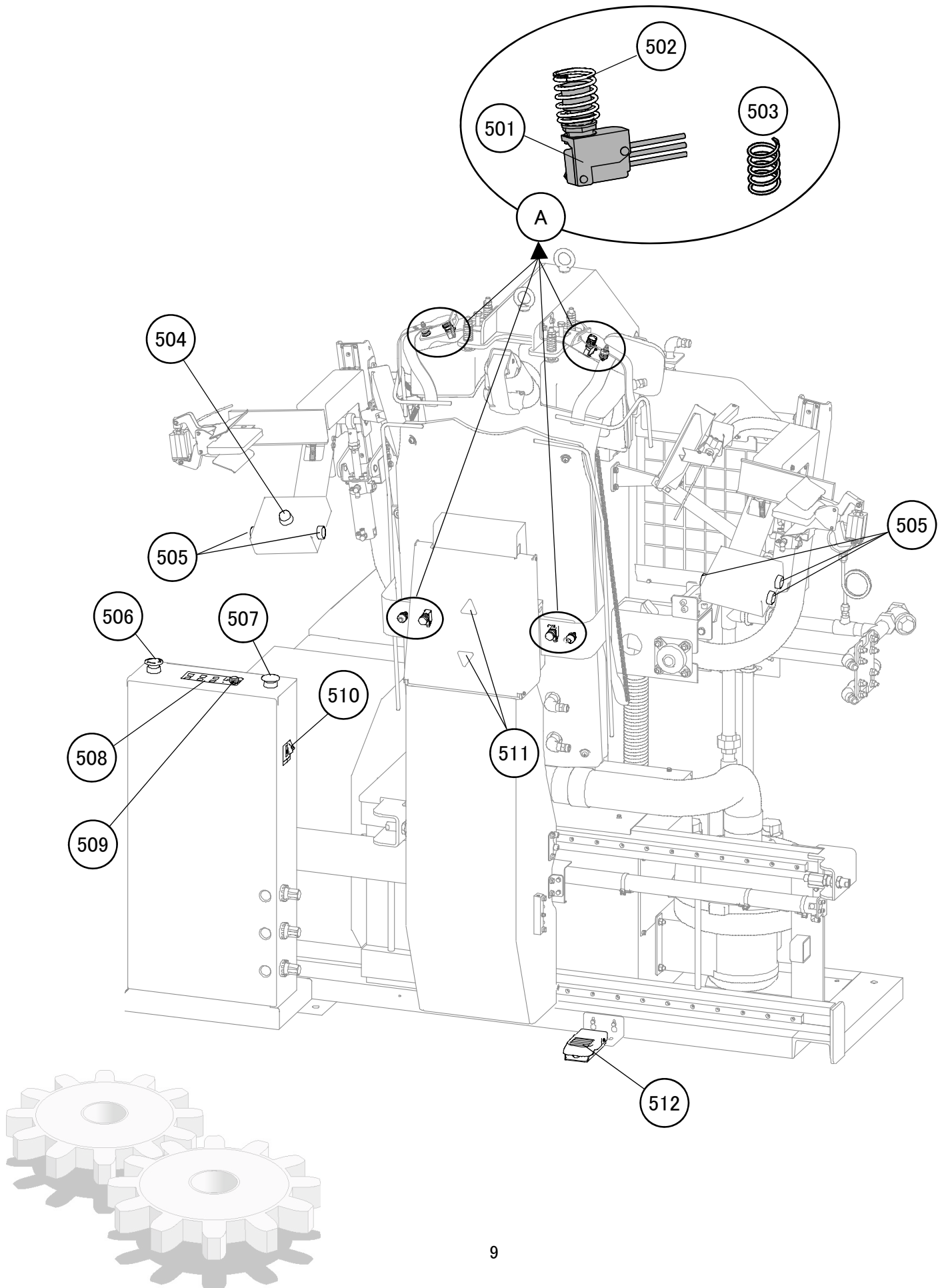
Ersatzteilliste ALP-5400B-V1

4 : Steam Piping Diagram

REV : 0

No.	Part Code	Part Name	Q'ty	Remark
401	TBA2055	Flex.Hose	2	3/8 × 800L
402	J0A003	Steam Gauge	1	
403	TBA2056	Flex.Hose	2	3/8 × 850L
404	J2M013	Y Type Strainer	1	
405	RD320T	Radiator	1	
406	RD300	Radiator	1	
407	J2J002	Lift Check valve	1	
408	J2N001	Steam Trap	2	Option





Ersatzteilliste ALP-5400B-V1

5 : Switches Diagram

REV : 0

No.	Part Code	Part Name	Q'ty	Remark
501	21I072	Push Button Switch	4	Front/shoulder press
502	H0D002	Emergency Spring B	4	
503	H0D001	Emergency Spring A	4	
504	21I108	Push Button Switch	1	
505	21I091	Push Button Switch	5	Left / Right Start
506	21I171	Push Button Switch	1	Emergency
507	21I170	Push Button Switch	1	Reset
508	20U149	Panel Sheet	1	
509	21D006	Knob	1	
510	21C006	Breaker Switch	1	
511	21M017	Push Button Switch	1	Cuffs unit up - down
512	FP-UNT-001	Foot Pedal Unit	1	Include below 2 items
	21E035	Micro Switch	1	
	H0D019	Foot Pedal Spring	1	

