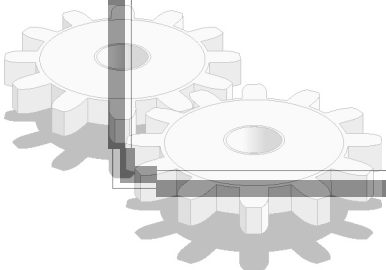




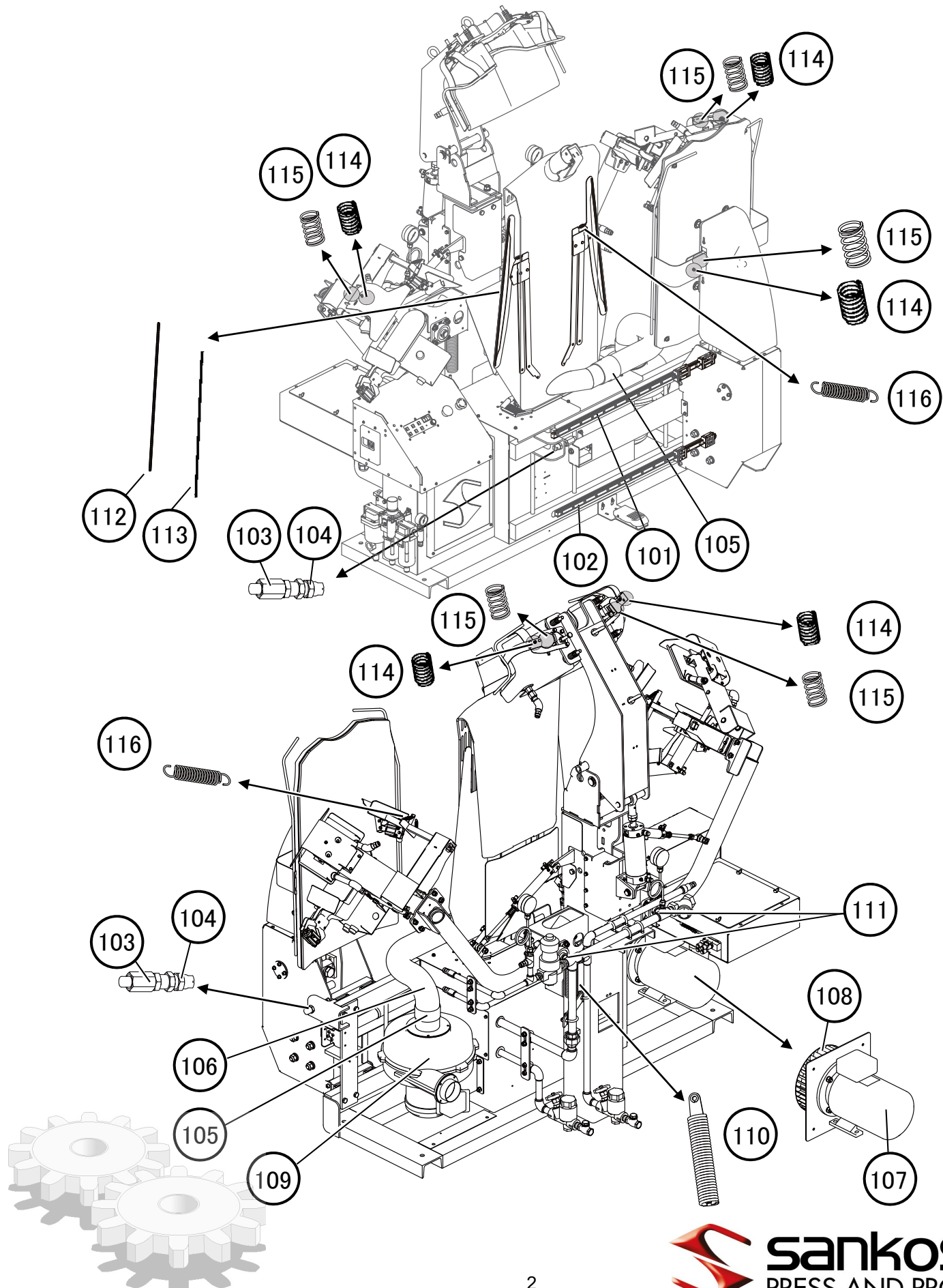
sankosha®
PRESS AND PROGRESS

ALP-560E-V1

Ersatzteile



1 : Motor / Operation Diagram REV : 1

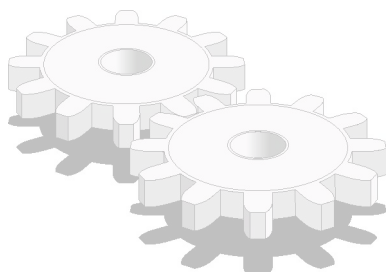


1 : Motor / Operation Diagram REV : 0

No.	Part Name	Part Number	Q'ty	Remark
101	LM Guide	E0B006	1	Fahrschiene
	LM Guide Block	E0B001	2	
102	LM Guide	E0A013	1	
	LM Guide Block	E0A001	2	
103	Shock Absorber	F0K005	2	
104	Nut	F0L005	2	
105	Vacuum Flex. Hose Cuff	K1D004	2	
106	Vacuum Flex. Hose	K1D003	1	770mm
107	Motor	G0E056	1	1.5kw (LEESON)
108	Blower Fan	G2B009	1	50 Hz
109	Vacuum Motor	G1A043	1	
110	Balance Spring Unit	AP-05-AA39497	2	
111	Bearing Unit	E4A001	4	
112	Spring	H0D014	2	
113	Rod	H0D016	2	
114	Spring	H0D001	6	
115	Spring	H0D002	6	
116	Spring	H0D-004	6	

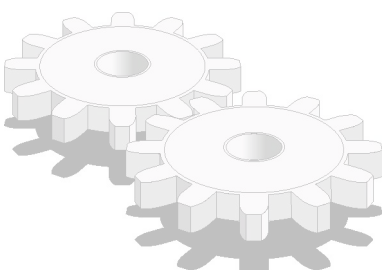
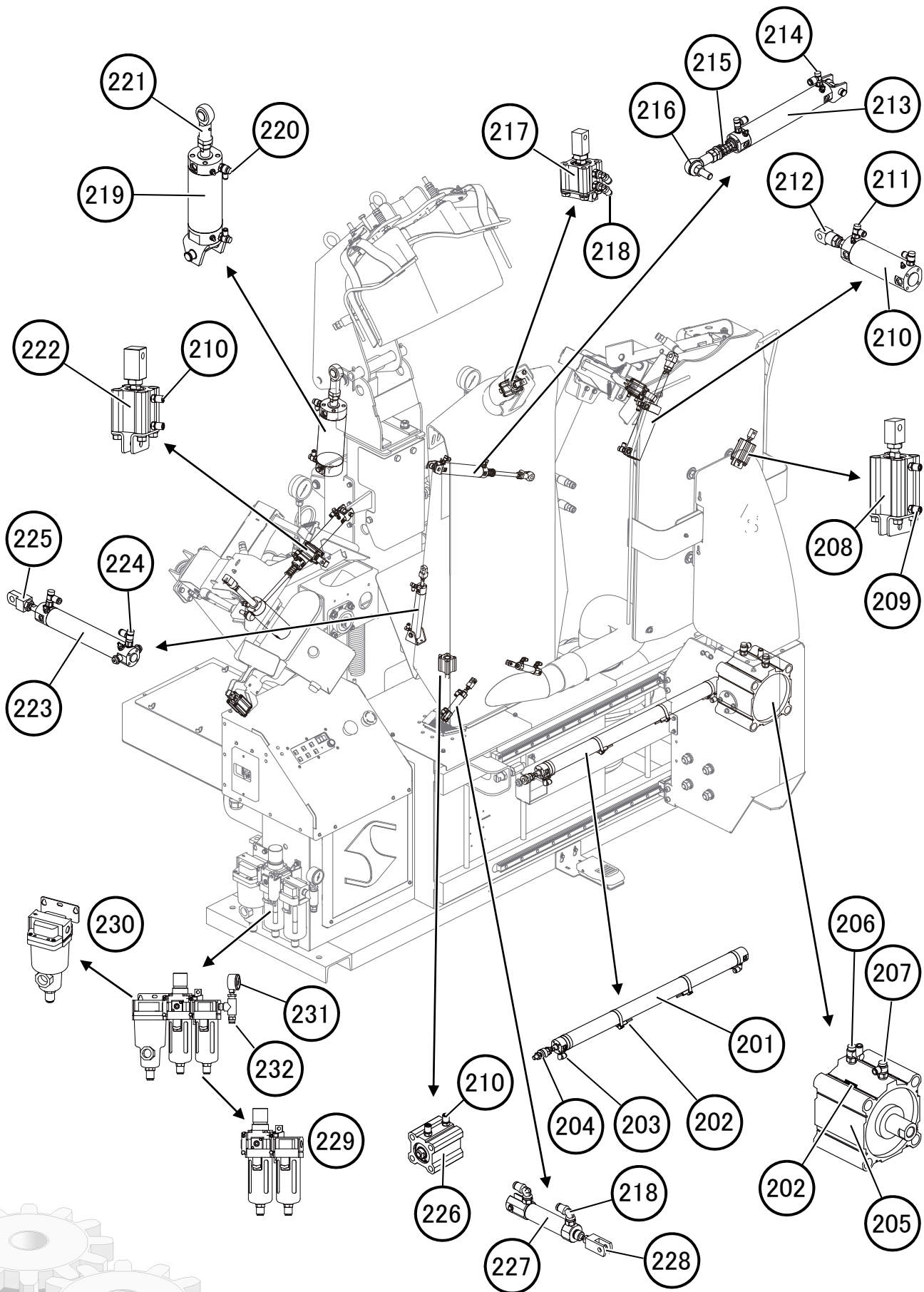


sankosha[®]
PRESS AND PROGRESS



2 : Air Piping (1)

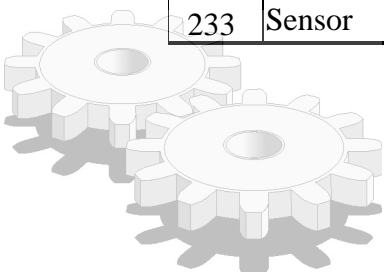
REV : 0



2 : Air Piping (1)

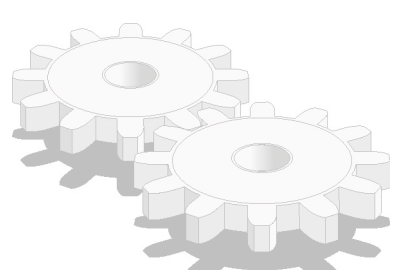
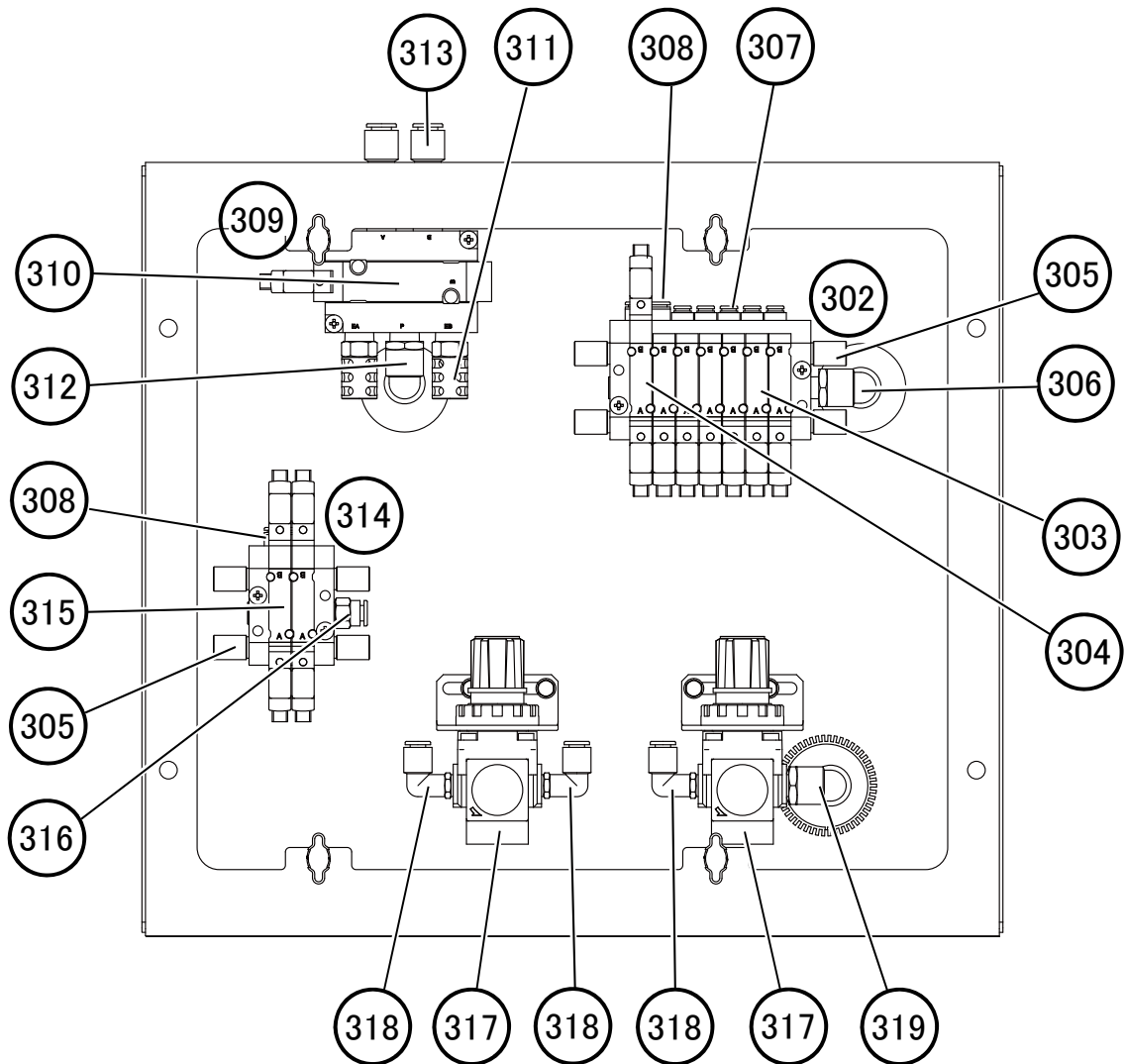
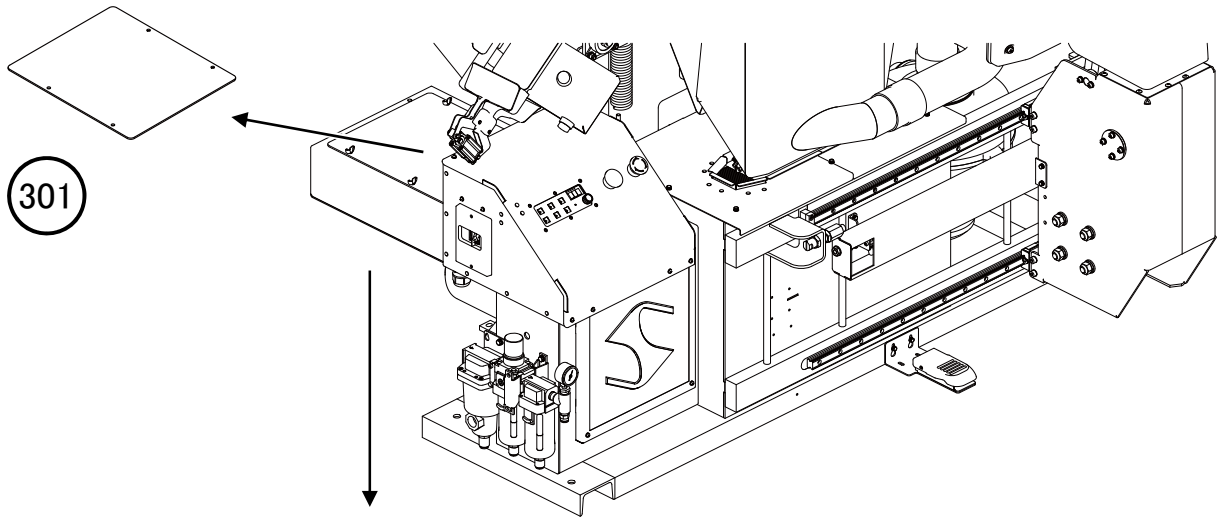
REV : 0

No.	Part Name	Part Number	Q'ty	Remark
201	Cylinder	B0K018	1	Slide Cylinder
202	Sensor	B5A012	6	
203	Joint	C0C018	2	
204	Floating Joint	E5L001	1	
205	Cylinder	B1H010	1	Front Press Cylinder
206	Speed Controller	C1A074	1	
207	Speed Controller	C1A079	1	
208	Cylinder	B1B014	2	Cuff Clamp Cylinder
209	Joint	C0E003	10	
210	Cylinder	B0A028	2	Tuck Press Cylinder
211	Joint	C1A065	4	
212	Knuckle Joint	B6A004	2	
213	Cylinder	B0C002	2	
214	Speed Controller	C1A068	4	
215	Spring	H0D002	2	
216	Link Ball	E5J004	2	
217	Cylinder	B1A007	1	
218	Joint	C0C161	6	
219	Cylinder	B0W032	1	Shoulder Press Cylinder
220	Joint	C1A073	2	
221	Rod End	E5A013	1	
222	Cylinder	B1B015	2	Short Sleeve Cylinder
223	Cylinder	B0E004	1	Tail Clamp Cylinder
224	Speed Controller	C1A076	2	
225	Knuckle Joint	B6A002	1	
226	Cylinder	B1A005	1	Tail Clamp Up / Down Cylinder
227	Cylinder	B1L015	2	Side Expander Cylinder
228	Knuckle Joint	B6B022	2	
229	Air Combination	D0F008	1	
230	Mist Sparator	D0G006	1	
231	Air Gauge	J0A003	1	Manometer
232	Joint	C0C012	1	
233	Sensor	B5A012	2	



3 : Air Piping (2)

REV : 0



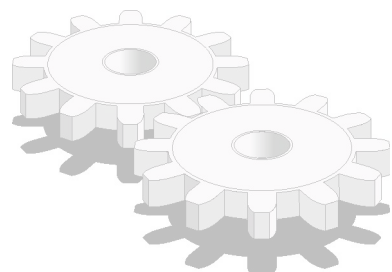
3 : Air Piping (2)

REV : 0

No.	Part Name	Part Number	Q'ty	Remark
301	Solenoid Valve Cover	P0A012	1	
302	Manifold Valve	A0F172	1	
303	Solenoid Valve	A0E012	6	
304	Solenoid Valve	A0E021	1	
305	Silencer	C0A003	8	
306	Joint	C0C024	1	
307	Joint	A0J007	12	
308	Joint	A0J039	6	
309	Manifold Valve	A0F020	1	
310	Solenoid Valve	A0E002	1	
311	Silencer		2	
312	Joint	C0C098	1	
313	Joint	C0C040	2	
314	Manifold Valve	A0F125	1	
315	Solenoid Valve	A0E013	2	
316	Joint	C0C005	1	
317	Regulator	D0E005	2	
318	Joint	C0C018	3	
319	Joint	C0C024	1	

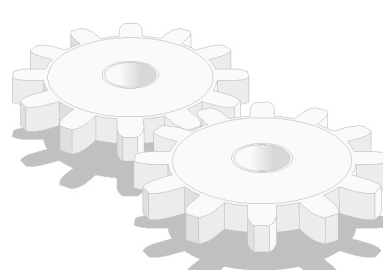
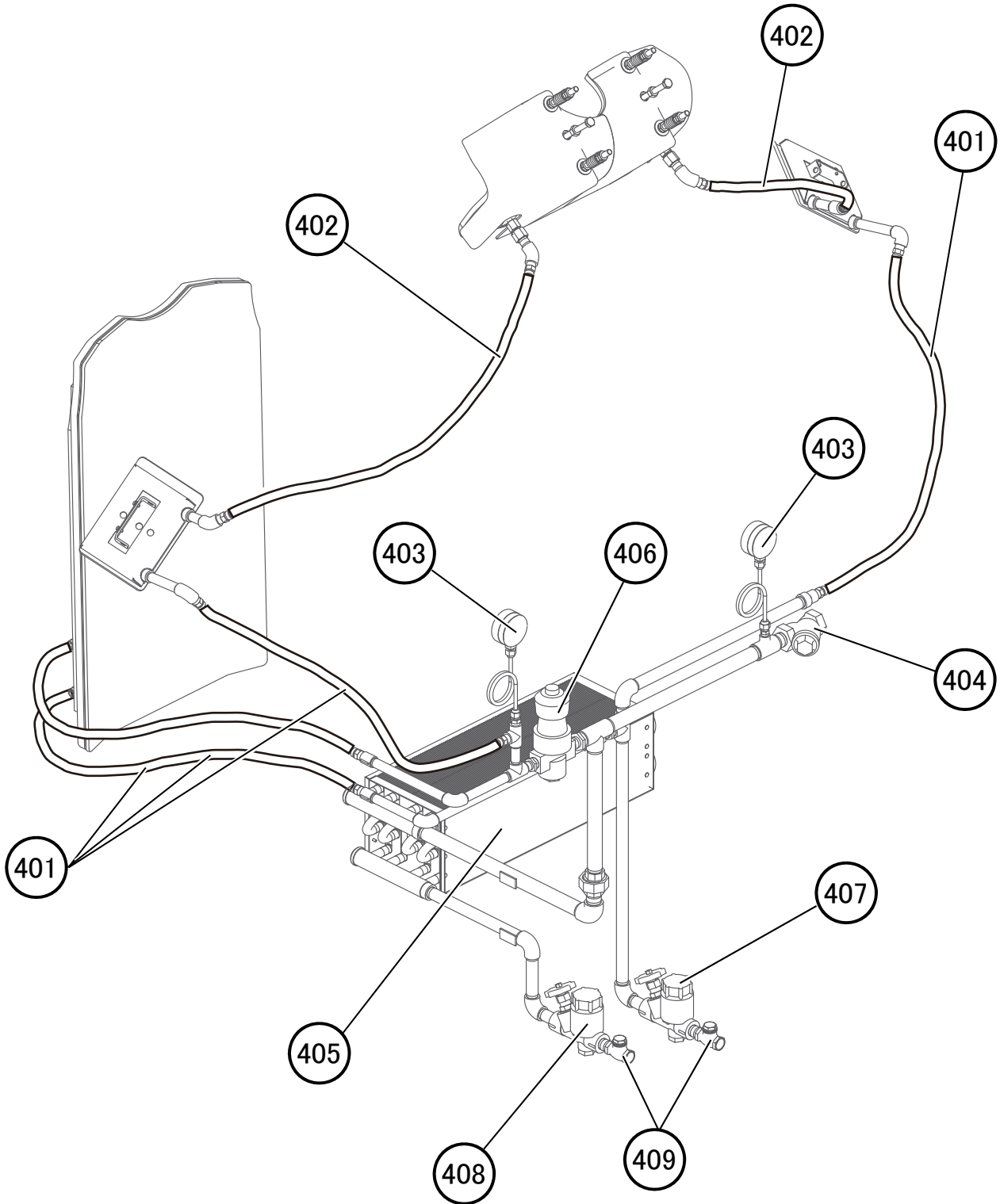


sankosha®
PRESS AND PROGRESS



4: Steam Piping Diagram

REV : 0



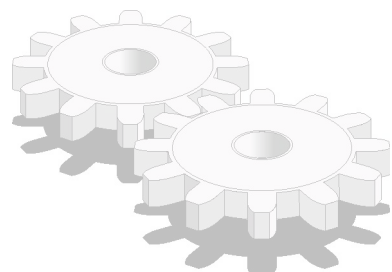
4: Steam Piping Diagram

REV : 0

No.	Part Name	Part Number	Q'ty	Remark
401	Flex.Hose	TBA2056	4	3/8x850
402	Flex.Hose	TBA2055	2	3/8x800
403	Steam Gauge	J0A003	2	
404	Y Type Strainer	J2M013	1	
405	Radiator	RD300	1	
406	Pressure Reducing Valve	J6C003	1	
407	Steam Trap	J2N003	1	
408	Steam Trap	J2N001	1	
409	Swing Check	J2J006	2	

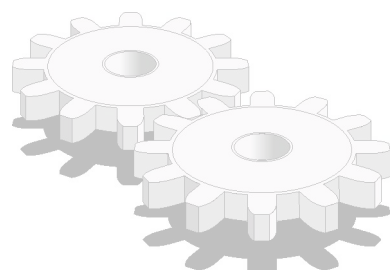
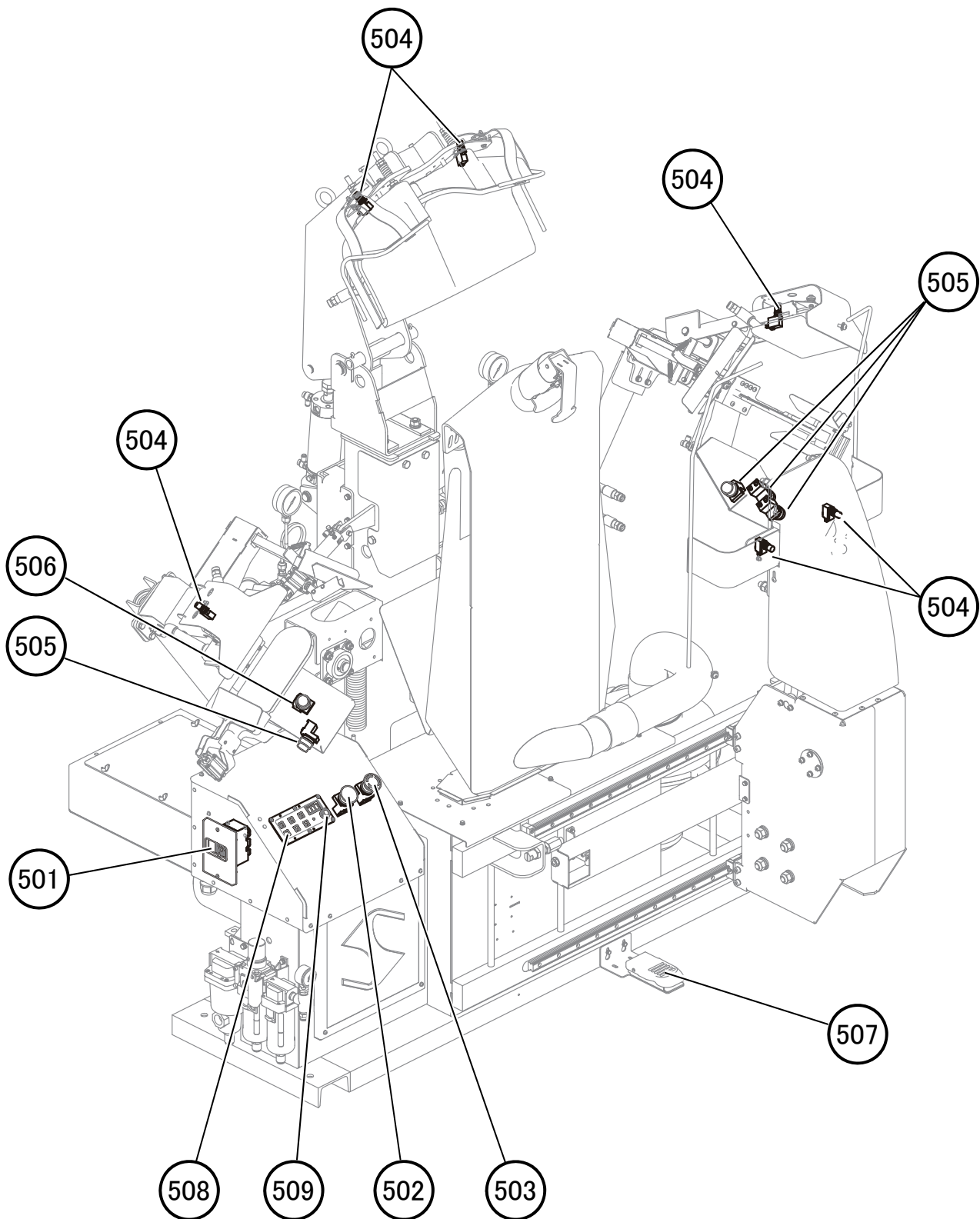


sankosha[®]
PRESS AND PROGRESS



5: Control Box / Switch Diagram

REV: 0



5: Control Box / Switch Diagram

REV: 0

No.	Part Name	Part Number	Q'ty	Remark
501	Breaker Switch	21C006	1	
502	Push Button Switch	21I170	1	Reset
503	Push Button Switch	21I171	1	Emergency
504	Push Button Switch	21I085	6	Safety Bar
505	Push Button Switch	21I181	4	Left / Right Start
506	Push Button Switch	21I108	1	
507	Foot Pedal Unit	FP-UNT-001	1	
	Micro Switch	21E035	1	
	Foot Pedal Spring	H0D019	1	
508	Panel Sheet	20U139	1	
509	Knob	21D006	1	



sankosha[®]
PRESS AND PROGRESS

