

sankosha®  
PRESS AND PROGRESS

*Form Finisher*

# Parts List

---

DF-050E

(No.E210001~)

(REV : 1)

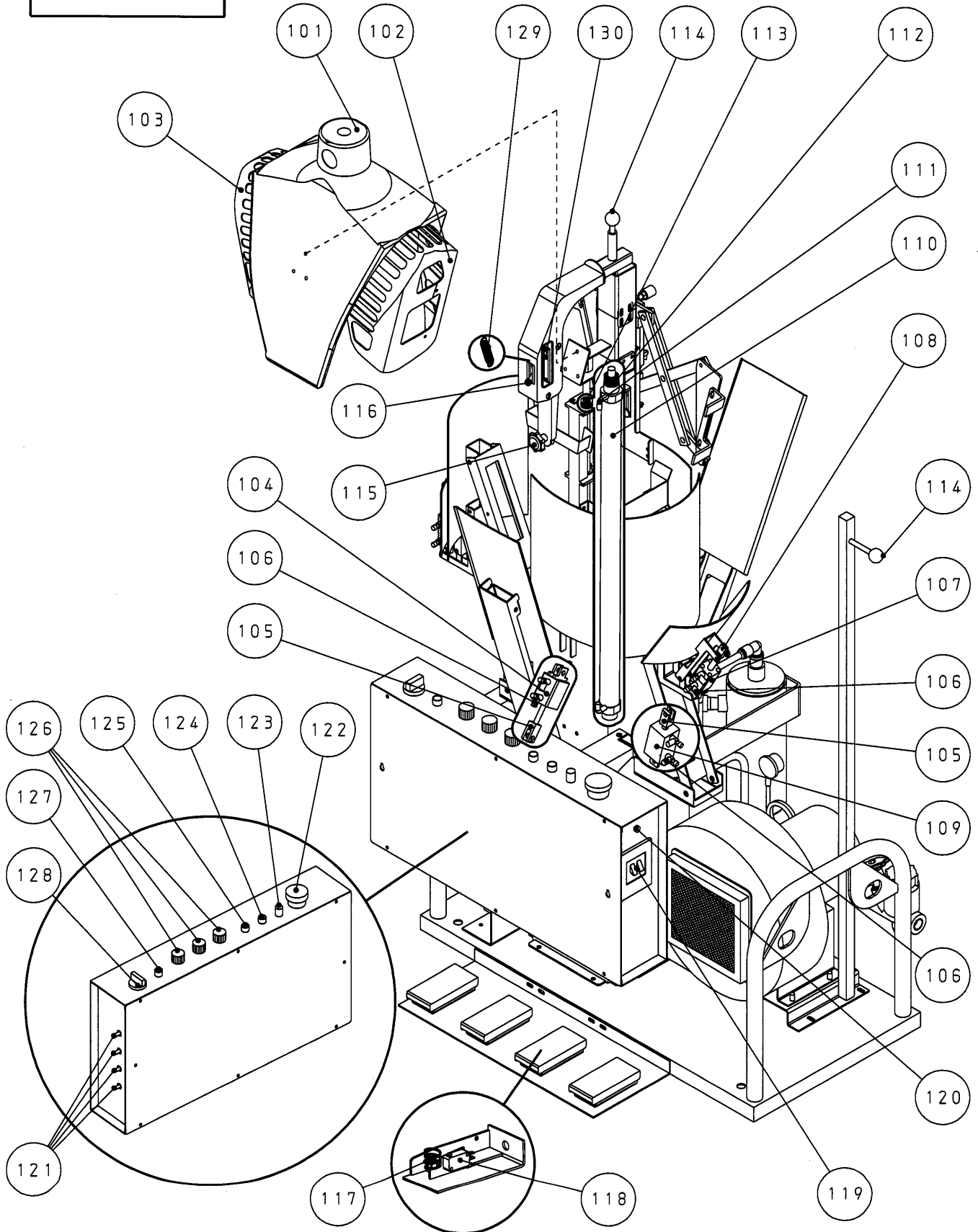
# DF-050E (Front Diagram) REV: 1

3DDF050E-V1-051-1

Serial No.

E210001

?



**Front Diagram**

**REV : 1**

No.	Description	Parts Number	Q'ty	Remark
101	B ody	DF050J-V1-401	1	
102	S houlder Left	WF150-402	1	
103	S houlder Right	WF150-403	1	
104	C ylinder	C Q2D20-25DM	1	
105	C levis	Y-G02	3	
106	S peed Controller	AS1201F-M5-04	10	
107	Cylinder	C Q2D16-30DM-XB6	2	
108	C levis	I-Z015A	2	
109	Cylinder	C Q2D20-40DM	2	
110	Cylinder	C MK2-T-00-32-600-MA2	1	
111	J oint	3609-04-10	2	
112	B ody Up Down Rubber	DF050J-V1- 199	1	
113	G uide Bush	DF050J-V1-141	2	
114	F ixing Grip	P C25x6B	2	
115	E ng. Plastic Knob	EK-40T	1	
116	F ixing Grip	P C20x6B	1	
117	F oot Pedal Spring	FP100-105	4	
118	M icro Switch	D2VW-01-1M	4	
119	M ain Breaker	G V2ME07	1	
120	P ilot lamp	AP1M222W	1	
121	T oggle Switch	AJ45100	4	
122	E mergency Stop Button	A165E-S-02	1	
123	R eset Button	AB9252+AB9253L	1	
124	A uto Start Button	MS-V2-B22-046F+AT454W	1	
125	S team Button	A165-TBM-1	1	
126	V olume	R V24YN20S100KΩ	3	B lower Timer, Steam-Blower Timer, Steam Timer
127	F inish Button	MS-V2-B22-046F+ AT454G	1	
128	S elect Switch	HW1S-3T20	1	
129	Tension Spring A	CF108-633	1	
130	G ear Plate	DF050J-V1-243	1	

# DF-050E (Rear Diagram)

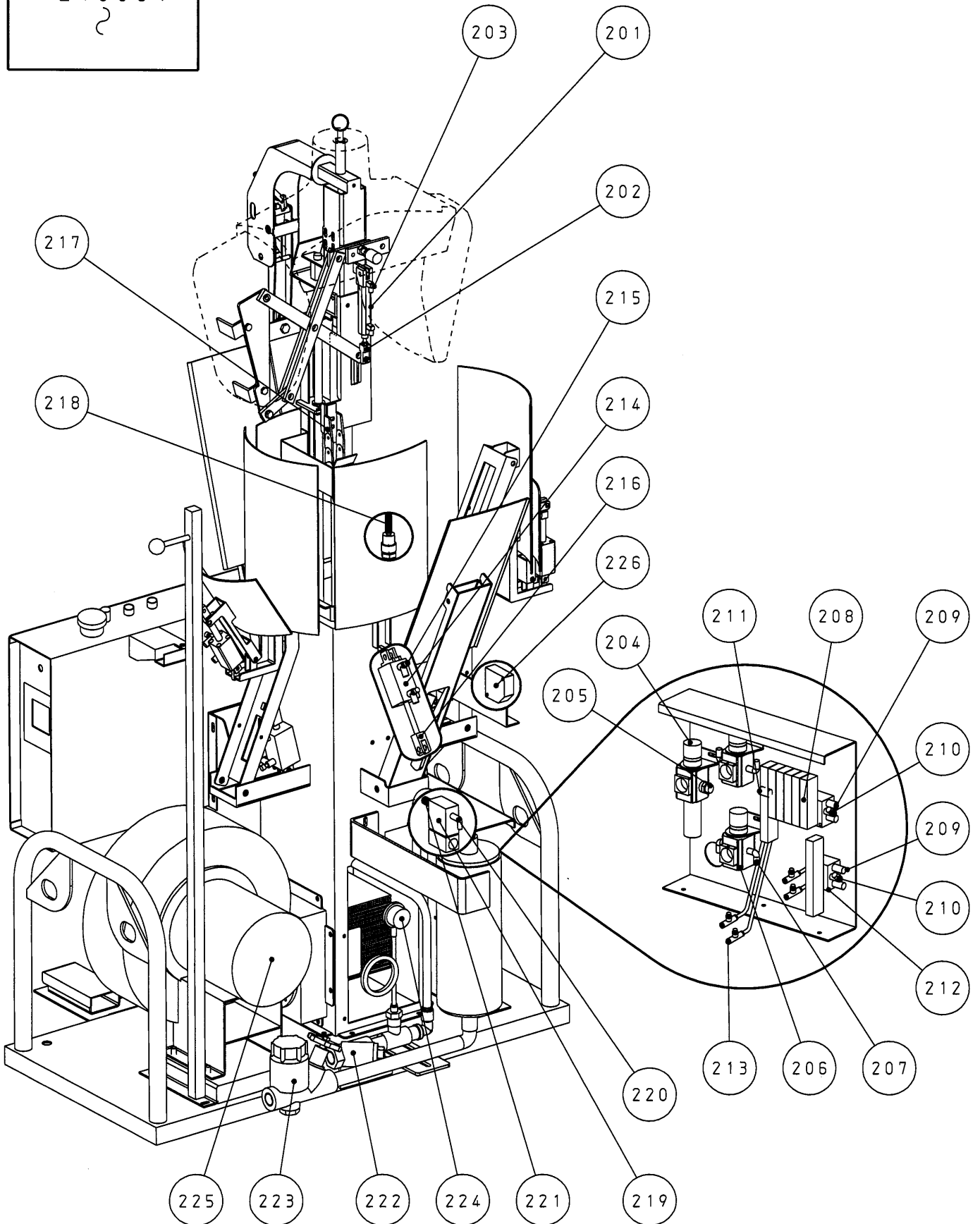
REV: 1

3DDF050E-V1-052-1

Serial No.

E210001

2



**Rear Diagram****REV : 1**

No.	Description	Parts Number	Q'ty	Remark
201	Cylinder	CJ2D16-45-XB6	1	
202	Clevis	I-J016B	1	
203	Joint	M5HLH-4-X112	2	
204	Filter Regulator	AW20-02BCE	1	
205	Joint	KQ2H06-02S	1	
206	Regulator	AR20K-01BE-RY	2	
207	Joint	KQ2L04-01S	4	
208	Solenoid Valve No.2	PCS245 -NB-D24MP	1	Steam
208	Solenoid Valve No.5	PCS245 -NB-D24MP	1	Side Expander
208	Solenoid Valve No.3	PCS245 -NB-D24MP	1	Rear Clamp
208	Solenoid Valve No.4	PCS245 -NB-D24MP	1	Front Clamp
208	Solenoid Valve No.6	PCS245 -NB-D24MP	1	Side Clamp
208	Solenoid No.7,10	PC D3 45 -NB-D24MP	1	Body Up Down
209	Silensor	AS-6	4	
210	Joint	3109-04-10JP	2	
211	Joint	3175-06-10JP	1	
212	Solenoid Valve No.8,11	PC D3 45 -NB-D24MP	1	Shoulder Return
213	Speed Controller	AS2001F-04	4	
214	Cylinder	CQ2D20-40DM	1	
215	Speed Controller	AS1201F-M5-04	2	
216	Clevis	Y-G02	1	
217	Flexible Cable Holder	10-015-028-0-35-1015.12PZ	1	
218	Silensor	AN110-01	1	Steam Injection Nozzle
219	Piston Valve	VND104D-10A	1	
220	Joint	DL04-01	1	
221	Silensor	AN101-01	1	
222	Y Type Strainer	1/2"	1	
223	Steam Trap	YH-15	1	
224	Steam Gauge	AMT7/16PFx60x1.6MPa	1	
225	Blower Motor	EC-100T-221-H351	1	
226	Photo Electric Sensor	E3JK-R4S3	1	