

sankosha®
PRESS AND PROGRESS

Form Finisher

Parts List

DF-050E

(No.E210003~)

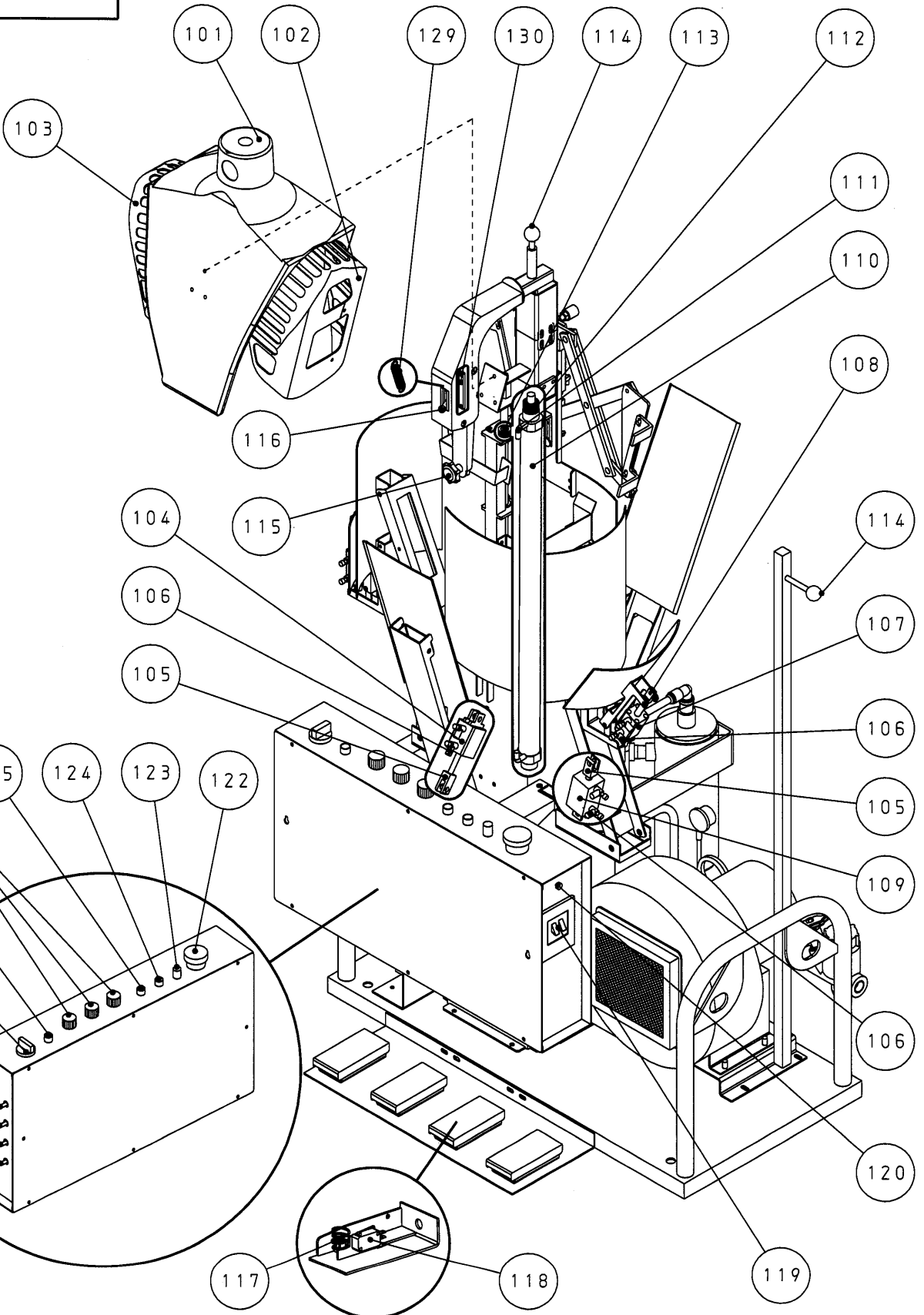
(REV : 2)

DF-050E (Front Diagram) REV: 2

3DDF050E-V1-051-2

Serial No.

E210003



Front Diagram

REV : 2

No.	Description	Parts Number	Q'ty	Remark
101	Body	DF050J-V1-401	1	
102	Shoulder Left	WF150-402	1	
103	Shoulder Right	WF150-403	1	
104	Cylinder	CQ2D20-25DM	1	
105	Clevis	Y-G02	3	
106	Speed Controller	AS1201F-M5-04	10	
107	Cylinder	CQ2D16-30DM-XB6	2	
108	Clevis	I-Z015A	2	
109	Cylinder	CQ2D20-40DM	2	
110	Cylinder	CMK2-T-00-32-600-MA2	1	
111	Joint	3609-04-10/KQGL04-01S	2	2006.02.09 KQGL04-01S ADDED
112	Body Up Down Rubber	DF050J-V1-199	1	
113	Guide Bush	DF050J-V1-141	2	
114	Fixing Grip	PC25x6B	2	
115	Eng. Plastic Knob	EK-40T	1	
116	Fixing Grip	PC20x6B	1	
117	Foot Pedal Spring	FP100-105	4	
118	Micro Switch	D2VW-01-1M	4	
119	Main Breaker	GV2ME07	1	
120	Pilot lamp	AP1M222W	1	
121	Toggle Switch	AJ45100	4	
122	Emergency Stop Button	A165E-S-02	1	
123	Reset Button	AB9252+AB9253L	1	
124	Auto Start Button	MS-V2-B22-046F+AT454W	1	
125	Steam Button	A165-TBM-1	1	
126	Volume	RV24YN20S100K Ω	3	Blower Timer, Steam-Blower Timer, Steam Timer
127	Finish Button	MS-V2-B22-046F+AT454G	1	
128	Select Switch	HW1S-3T20	1	
129	Tension Spring A	CF108-633	1	
130	Gear Plate	DF050J-V1-243	1	

DF-050E (Rear Diagram)

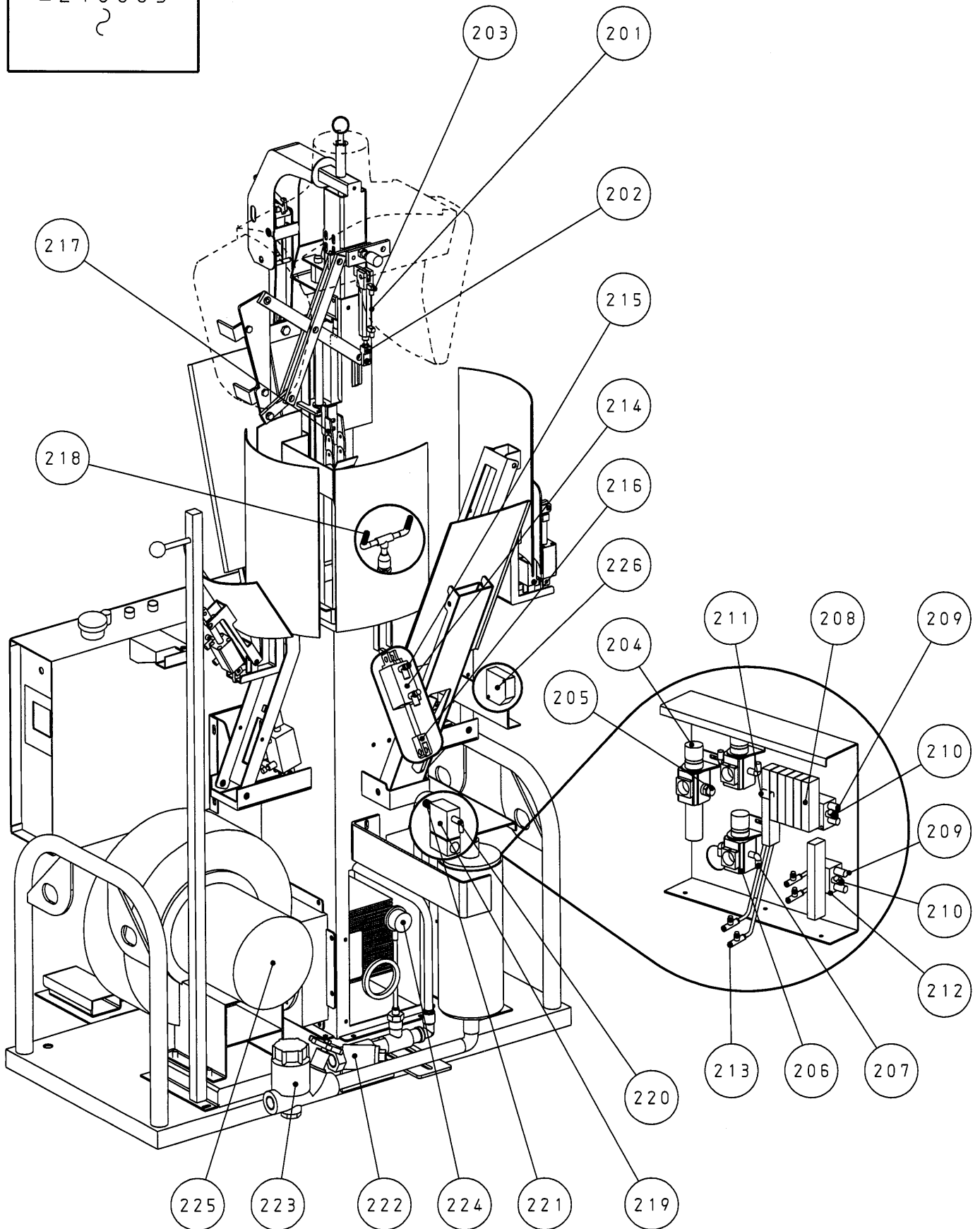
REV: 2

3DDF050E-V1-052-2

Serial No.

E210003

?



Rear Diagram

REV : 2

No.	Description	Parts Number	Q'ty	Remark
201	Cylinder	CJ2D16-45-XB6	1	
202	Clevis	I-J016B	1	
203	Joint	M5HLH-4-X112	2	
204	Filter Regulator	AW20-02BCE	1	
205	Joint	KQ2H06-02S	1	
206	Regulator	AR20K-01BE-RY	2	
207	Joint	KQ2L04-01S	4	
208	Solenoid Valve No.2	PCS245-NB-D24MP	1	Steam
208	Solenoid Valve No.5	PCS245-NB-D24MP	1	Side Expander
208	Solenoid Valve No.3	PCS245-NB-D24MP	1	Rear Clamp
208	Solenoid Valve No.4	PCS245-NB-D24MP	1	Front Clamp
208	Solenoid Valve No.6	PCS245-NB-D24MP	1	Side Clamp
208	Solenoid No.7,10	PCD345-NB-D24MP	1	Body Up Down
209	Silensor	AS-6	4	
210	Joint	3109-04-10JP	2	
211	Joint	3175-06-10JP	1	
212	Solenoid Valve No.8,11	PCD345-NB-D24MP	1	Shoulder Return
213	Speed Controller	AS2001F-04	4	
214	Cylinder	CQ2D20-40DM	1	
215	Speed Controller	AS1201F-M5-04	2	
216	Clevis	Y-G02	1	
217	Flexible Cable Holder	10-015-028-0-35-1015.12PZ	1	
218	Silensor	AN110-01	2	Steam Injection Nozzle 2006.02.09 1→2
219	Piston Valve	VND104D-10A	1	
220	Joint	DL04-01	1	
221	Silensor	AN101-01	1	
222	Y Type Strainer	1/2"	1	
223	Steam Trap	YH-15	1	
224	Steam Gauge	AMT7/16PFx60x1.6MPa	1	
225	Blower Motor	EC-100T-221-H351	1	
226	Photo Electric Sensor	E3JK-R4S3	1	