

sankosha®
PRESS AND PROGRESS

Pants Topper

Parts List

DF-740E

(REV : 1)

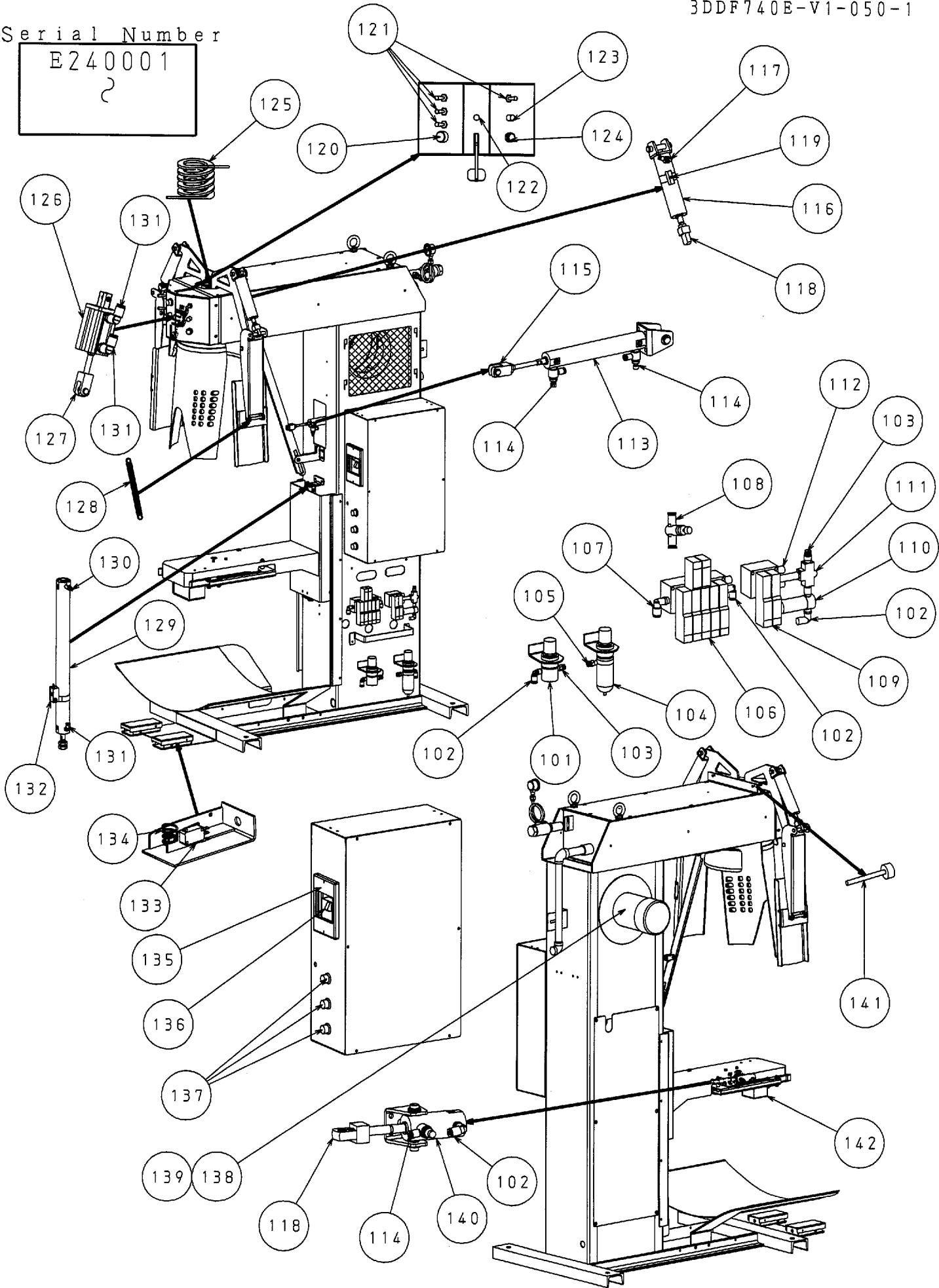
Ersatzteile

DF-740E Moving Parts Diagram REV: 1

3DDF740E-V1-050-1

Serial Number

E240001
2



Moving Parts

REV:1

No.	Description	Parts Number	Q'ty	Remark
101	Regulator	AR20K-01BE-RY	1	
102	Joint	KQ2L04-01S	4	
103	Joint	KQ2H04-01S	2	
104	Air Integrator	AW20-02BCE-R	1	
105	Joint	KQ2H06-02S	1	
106	Solenoid Valve No.2	PCS245-NB-D24MP	1	Steam YV2
106	Solenoid Valve No.5,6	PCD345-NB-D24MP	1	Cuff Clamp Up Down YV5, YV6
106	Solenoid Valve No.11,3	PCD345-NB-D24MP	1	Waist Expander YV11, YV3
106	Solenoid Valve No.7	PCS245-NB-D24MP	1	Cuff Clamp YV7
106	Solenoid Valve No.9	PCS245-NB-D24MP	1	Front Clamp YV9
107	Joint	KQ2L06-01S	1	
108	Speed Controller	AS2001F-04	4	
109	Solenoid Valve No.4	PCS245-NB-D24MP	1	Left Preater Press YV4
109	Solenoid Valve No.8	PCS245-NB-D24MP	1	Right Preater Press YV8
110	Solenoid Valve No.10	VDW21-5G-2-01	1	YV10
111	Shuttle Valve	VR1201-01	1	
112	Silencer	AS-6	4	
113	Cylinder	CG1DN20-100	1	Waist Expander
114	Speed Controller	AS2201F-01-04S	3	
115	knuckle Joint	Y-G02	1	
116	Cylinder	CDG1DN32-50S-B73S	2	L/R Preater Press
117	Speed Controller	AS2211F-01-04S	2	
118	Knuckle Joint	I-G03	2	
119	Sensor	D-B73S	2	Right SW22 Left SW21
120	Steam Button	A165-TBM-1	1	SW18
121	Dry/Aqua Select switch	AJ45100	1	SW15
121	Pleater Pressure Select Switch	AJ45100	1	SW17
121	Front Clamp Mode Switch	AJ45100	1	SW25
121	Stretch Mode Switch	AJ45100	1	SW16
122	Start Button	MS-V2-B22-046F	1	SW13
123	Reset Button	AB9252	1	SW14
124	Emergency Stop Button	A165E-S-02	1	SW12
125	Tuck Return Spring	DF730J-V1-236	1	
126	Cylinder	CQ2D16-30DM-XB6	1	Front Clamp
127	knuckle Joint	Y-Z015A	1	
128	Spring	AUY10-60	2	
129	Cylinder	CDG1BA25-300S-B73S	1	Cuff Clamp Up Down
130	Speed Controller	AS1211F-M5-04	1	
131	Joint	KJL04-M5	3	
132	Sensor	D-B73S	1	
133	Micro Switch	D2VW-01-1M	2	SW19, SW20
134	Foot Pedal Spring	FP100-105-0	2	

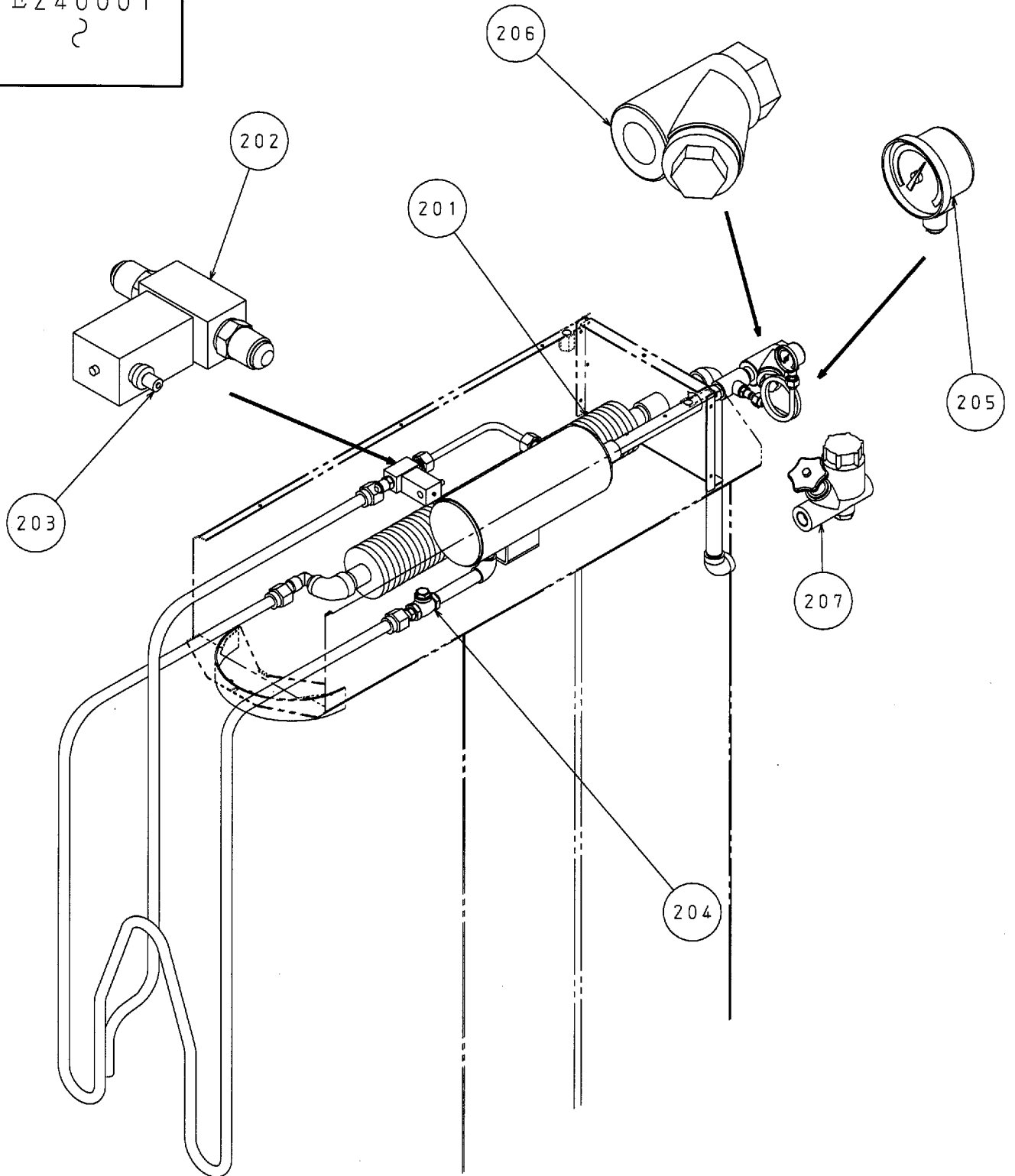
No.	Description	Parts Number	Q'ty	Remark
135	Main Breaker Cover	GV2-CP21	1	
136	Main Breaker	GV2-ME08	1	
137	Steam Time Setting Timer	RV24YN20S100KΩB	1	VR1
137	Drying Time Setting Timer(Dry)	RV24YN20S100KΩB	1	VR2
137	Drying Time Setting Timer(Aqua)	RV24YN20S100KΩB	1	VR3
138	Motor	IKC-ECK8-2P-0.2KW/400V	1	
139	Siricco Fan	1-195-110 11PHIFL SPCO	1	
140	Cylinder	CG1TN25-25	1	
141	Stopper Bolt	VNST6-40	2	
142	Sensor	PZ-M71	1	

DF-740E Steam Piping Layout REV: 1

3DDF740E-V1-051-1

Serial Number

E240001
2



Steam Piping

REV:1

No.	Description	Parts Number	Q'ty	Remark
201	Pipe with Fin	FINPE20A-25-P9.5-L500	1	
202	Piston Valve	VND104D-10A	1	
203	Joint	M01M-4	1	
204	Lift Check	3/8"	1	
205	Steam Gauge	AMT7/16x60x1.6Mpa	1	
206	Y Type Strainer	1/2"	1	
207	Steam Trap	YH-15	1	