

sankosha®
PRESS AND PROGRESS

Double Legger Press

Parts List

KMP-860E

(No.608001~)

(REV : 1)

Ersatzteile

KMP-860E Front Diagram

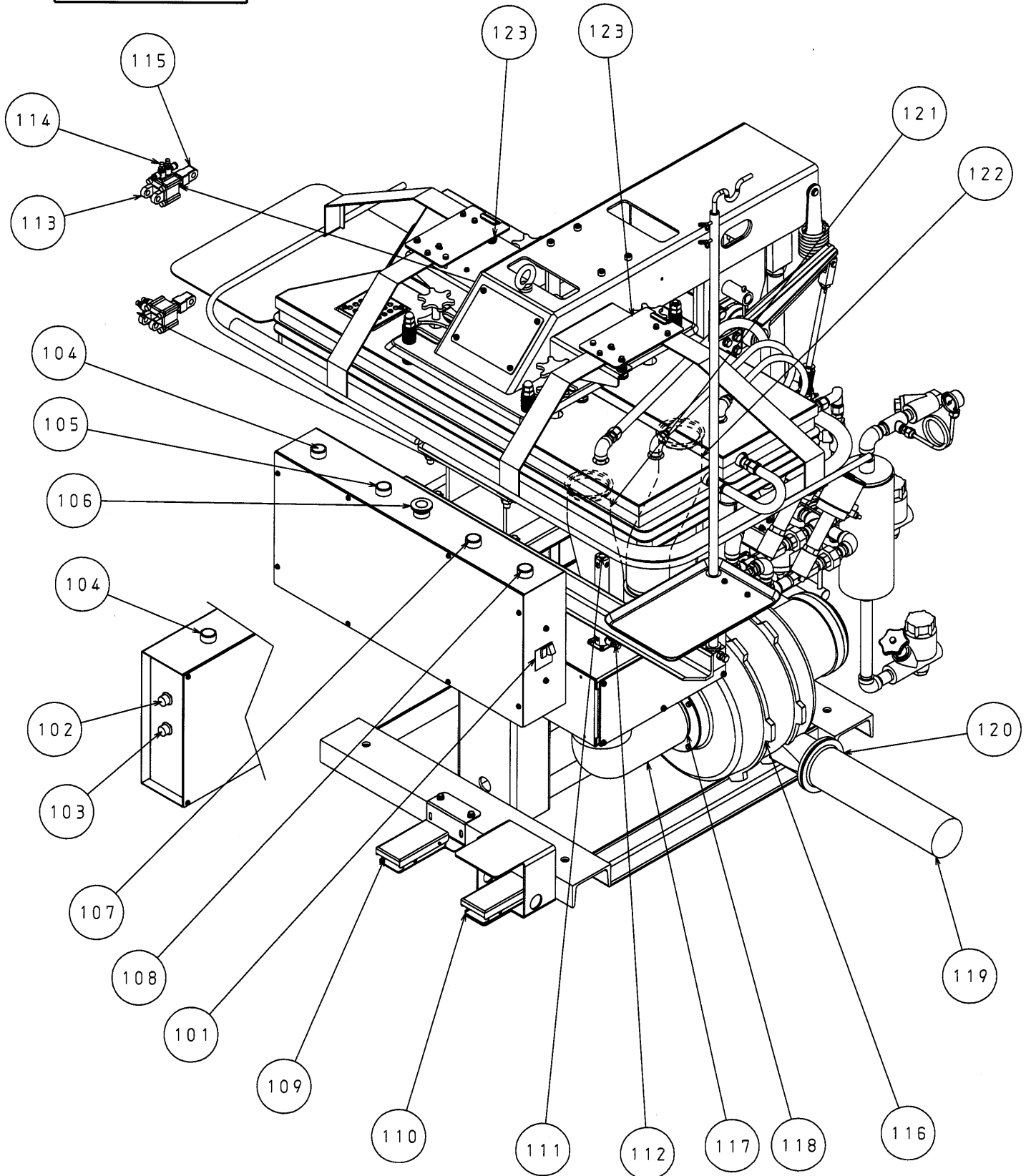
REV: 1

3DKMP860E-051-1

Serial Number

608001

?



Front Diagram

No.	Description	Parts Number	Q'ty	Remark
101	Main Breaker	GV2-ME07	1	
102	Steam Timer	RV24YN20S-100KQB	1	
103	Vacuum Timer	RV24YN20S-100KQB	1	
104	Left Start Button	HW1B-M111W	1	
105	Reset Button	HW1B-M110S	1	
106	Emergency Stop Button	HW1B-V402R	1	
107	Push Up Button	HW1B-M110B	1	
108	Right Start Button	HW1B-M110W	1	
109	Micro Switch	AM50040C4	1	
110	Micro Switch	AM50040C4	1	
111	Cylinder	C G1BN20-75T	1	
112	Speed Controller	AS2201F-01-06S	1	
113	Cylinder	CQ2D32-10DM-XB6	2	
114	Speed Controller	AS2201FM-01-06S	4	
115	Knuckle Joint	I-G04	2	
116	Blower Motor	U75-3-201-M251	1	
117	Tie Duct Hose	N Type Φ 100x450L	1	
118	Wire Band	Φ 100	2	
119	Tie Duct Hose	GL Type Φ 75x980L	1	
120	Wire Band	Φ 85	5	
121	Tie Duct Hose	GL Type Φ 75x380L	1	
122	Tie Duct Hose	GL Type Φ 75x380L	1	
123	Push Switch	VAQ-4B-L IP67 (D2VW-01-1M)	2	

KMP-860E Rear Diagram

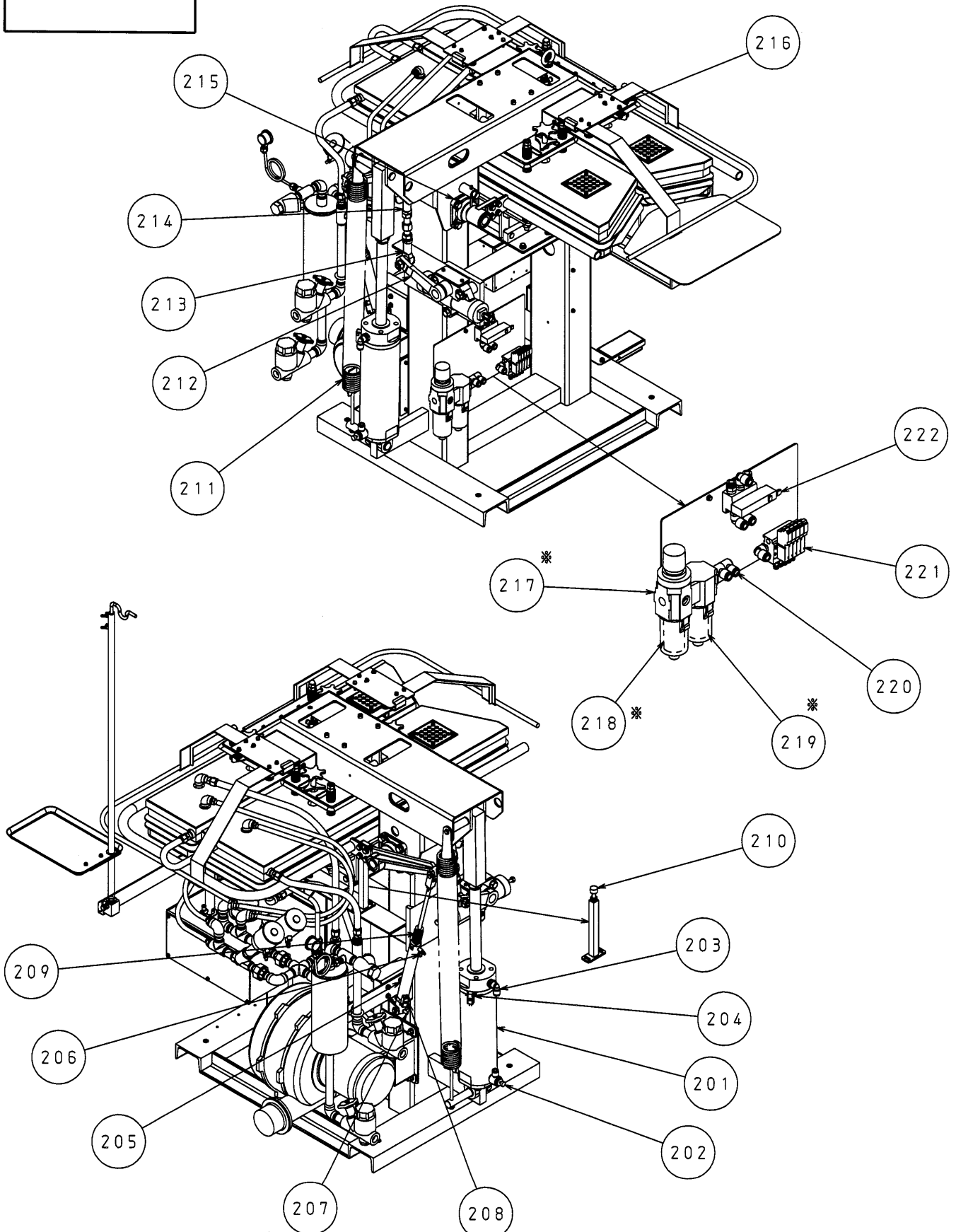
REV: 1

3DKMP860E-052-1

Serial Number

608001

2



Rear Diagram

No.	Description	Parts Number	Q'ty	Remark
201	Cylinder	CDG1DA100-250-B53S	1	
202	Speed Controller	AS4201F-04-10	1	
203	Air Joint	KQ2L10-04S	1	
204	Sensor	D-B53S	1	
205	Cylinder	CDG1TA25-200-B73S	1	
206	Speed Controller	AS1201F-M5-06S	1	
207	Silensor	AN120-M5	1	
208	Sensor	D-B73S	1	
209	Spring	SWU21-40	1	
210	Stopper Bolt	UNST10-40	1	
211	Balance Spring	KMP100R-215	1	
212	Oil Dumper	MODEL "M"	1	
213	Rod End	PHS16xP2	1	
214	Rod End	PHS16LxP2	1	
215	Pillow Block	UCF205	2	
216	Spring	SWS21-50	8	
217	Air Combination	AC30D-03-DE	1	*Serial No.608001~608070 W/M Combination
218	Filter Element	AF30P-060S	1	*Serial 608001~608070 Filter Regulator W3000
219	Element Assembly	AFM30P-060AS	1	*Serial 608001~608070 Oil Mist Filter M3000-KIT
220	Air Joint	KQ2VD10-03S	1	
221	Solenoid Valve No.7	VQZ1151-5LO-X193	1	Lower Press Steam
221	Solenoid Valve No.5	VQZ1151-5LO-X193	1	Upper Press Steam
221	Solenoid Valve No.6	VQZ1151-5LO-X193	1	Middle Mat
221	Solenoid Valve No.4	VQZ1151-5LO-X193	1	Press Head Sprit
221	Solenoid Valve No.2	VQZ1151-5LO-X193	1	Vacuum Duct
222	Solenoid Valve No.3	VQZ3151-5LO-X129	1	Upper Press Arm

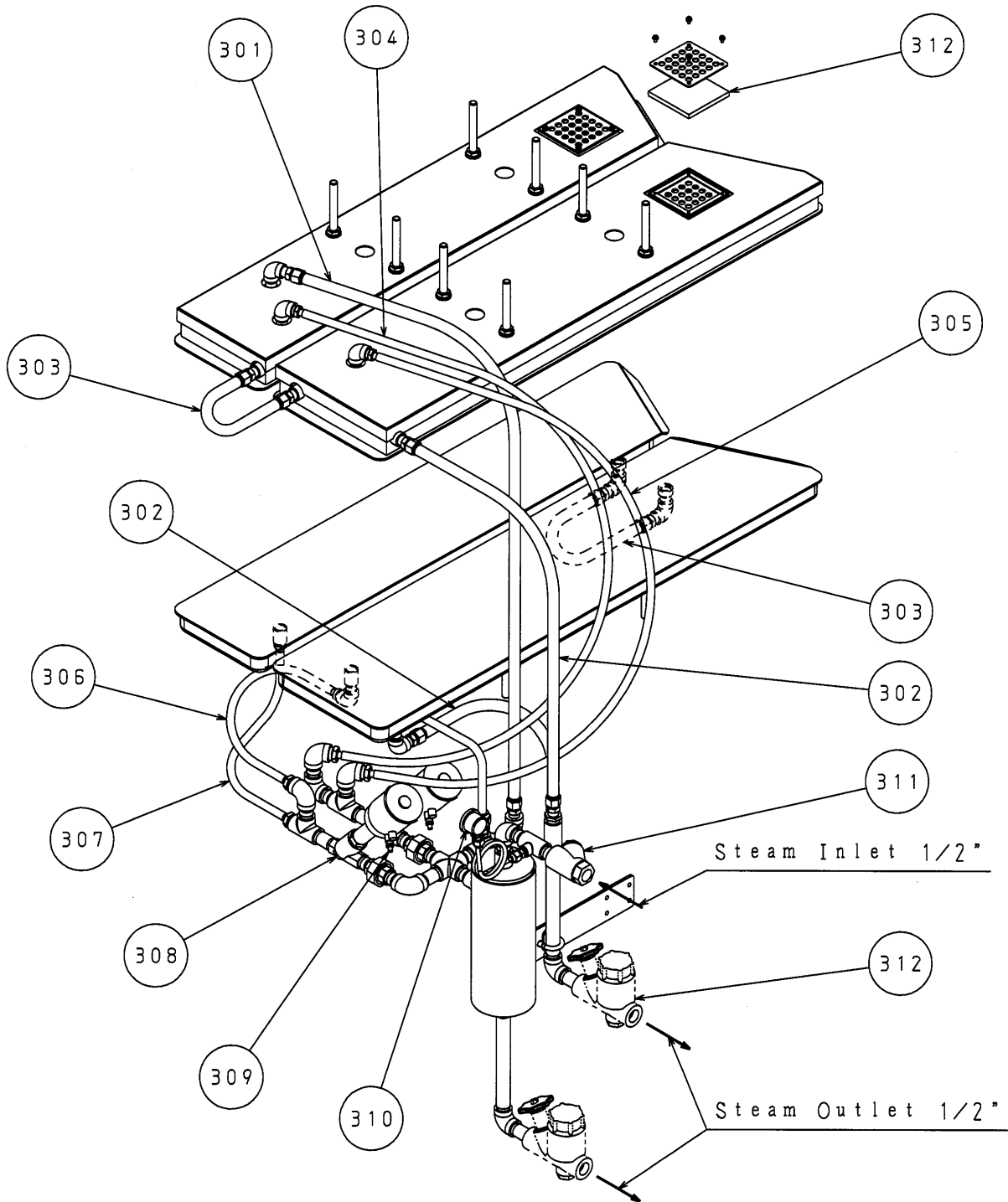
KMP-860E Steam Piping Diagram REV: 1

3DKMP860E-053-1

Serial Number

608001

?



Steam Piping

No.	Description	Parts Number	Q'ty	Remark
301	Flex. Hose	3/8" 800L with Braid	1	
302	Flex. Hose	3/8" 350 L with Braid	2	
303	Flex. Hose	3/8" 250L with Braid	2	
304	Flourine Tube	Φ12.7 920L	1	
305	Flourine Tube	Φ12.7 820L	1	
306	Flourine Tube	Φ12.7 480L	1	
307	Flourine Tube	Φ12.7 370L	1	
308	Piston Valve	D290A390	2	
309	Air Joint	M-01H-4	2	
310	Air Pressure Gauge	AMT7/16x60x1.6Mpa	1	
311	Y Type Strainer	1/2"	1	
312	Check Valve Filter	KMP820-338	2	