



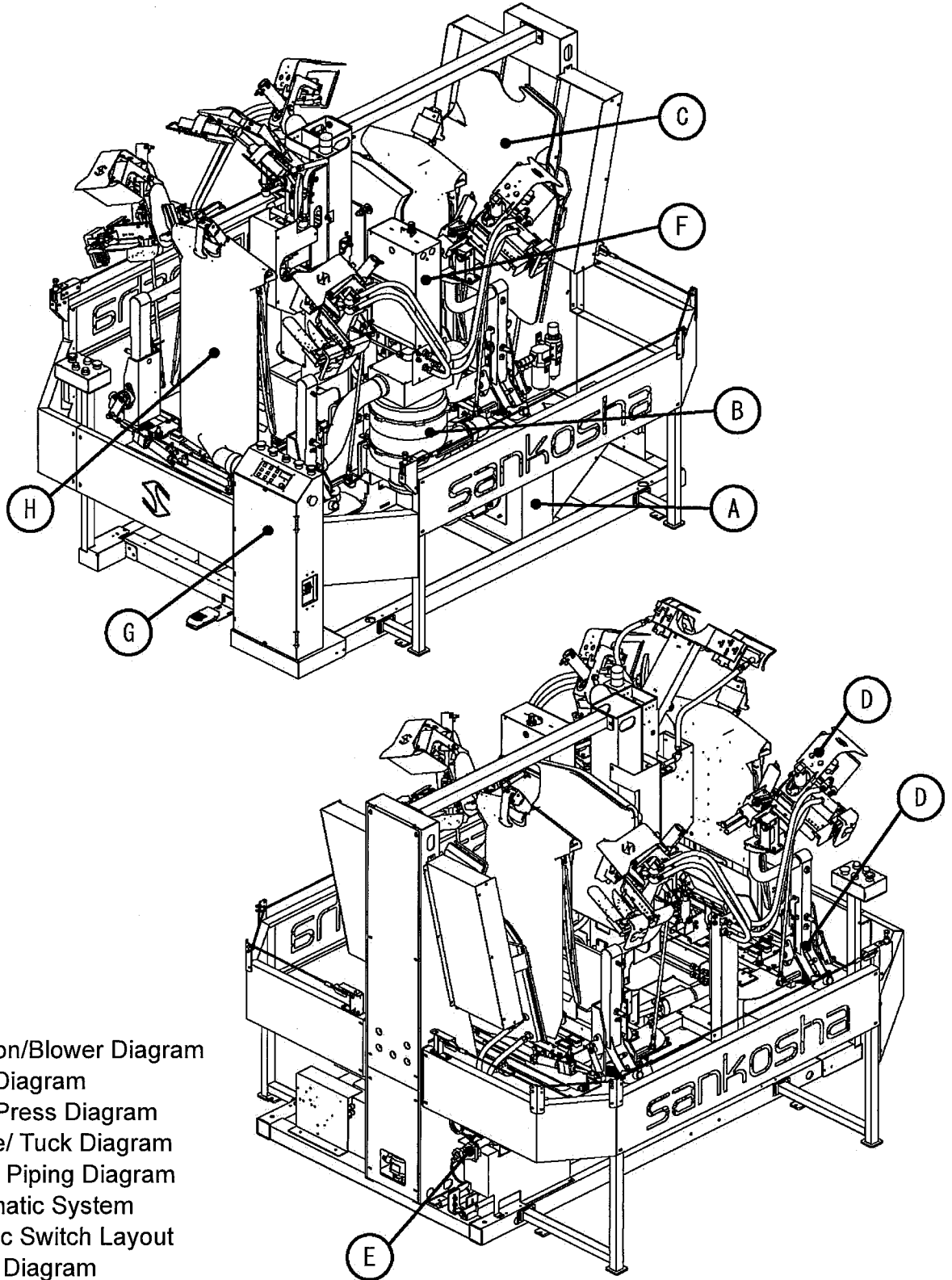
sankosha®  
PRESS AND PROGRESS

*Double Buck Shirt Press*

# Spare Parts List

---

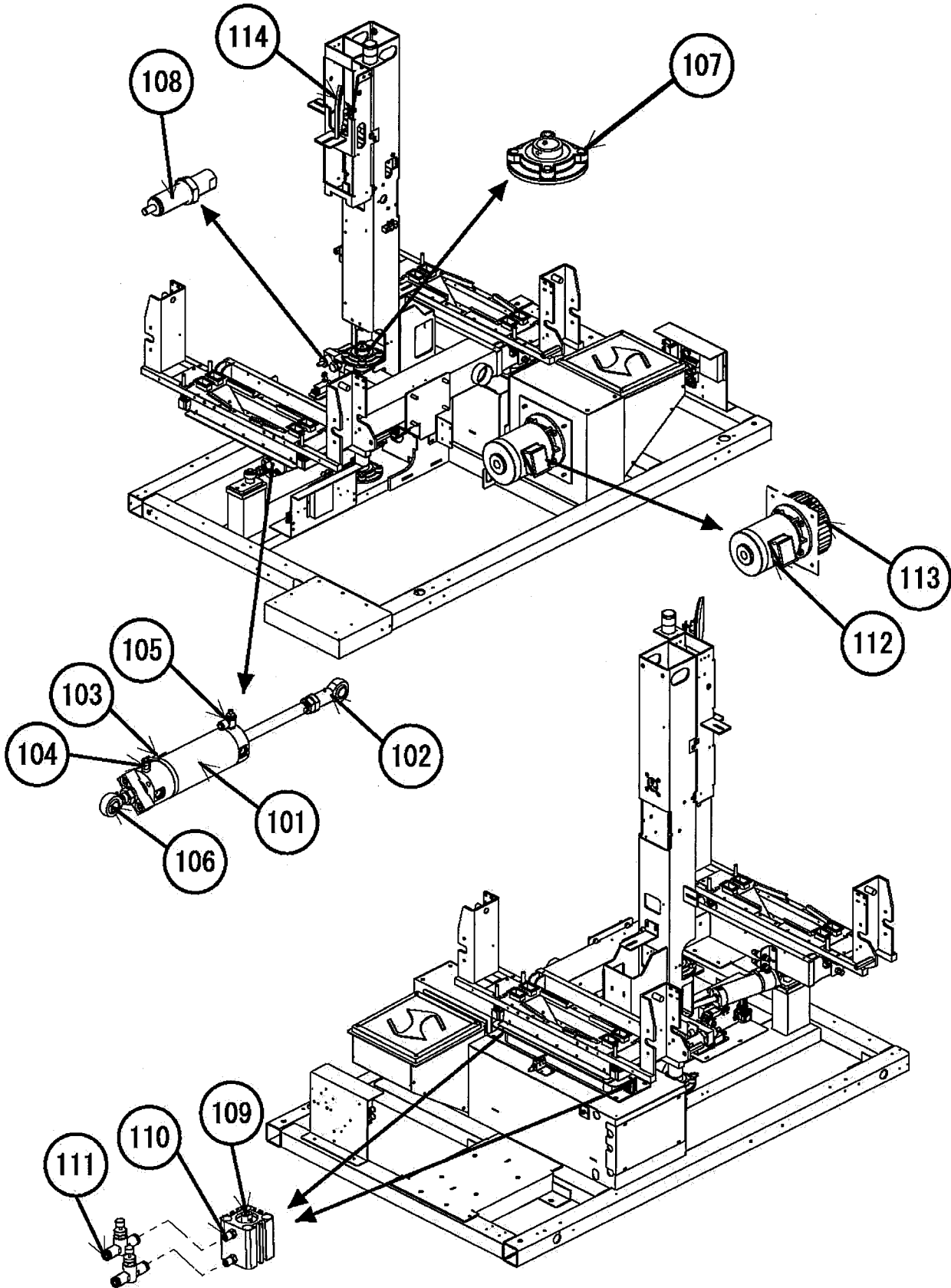
LP-190E (REV : 4)



- A: Rotation/Blower Diagram
- B: Body Diagram
- C: Body Press Diagram
- D: Sleeve/ Tuck Diagram
- E: Steam Piping Diagram
- F: Pneumatic System
- G: Electric Switch Layout
- H: Cover Diagram

# LP-190E Block A: Rotation/Blower Diagram REV:4

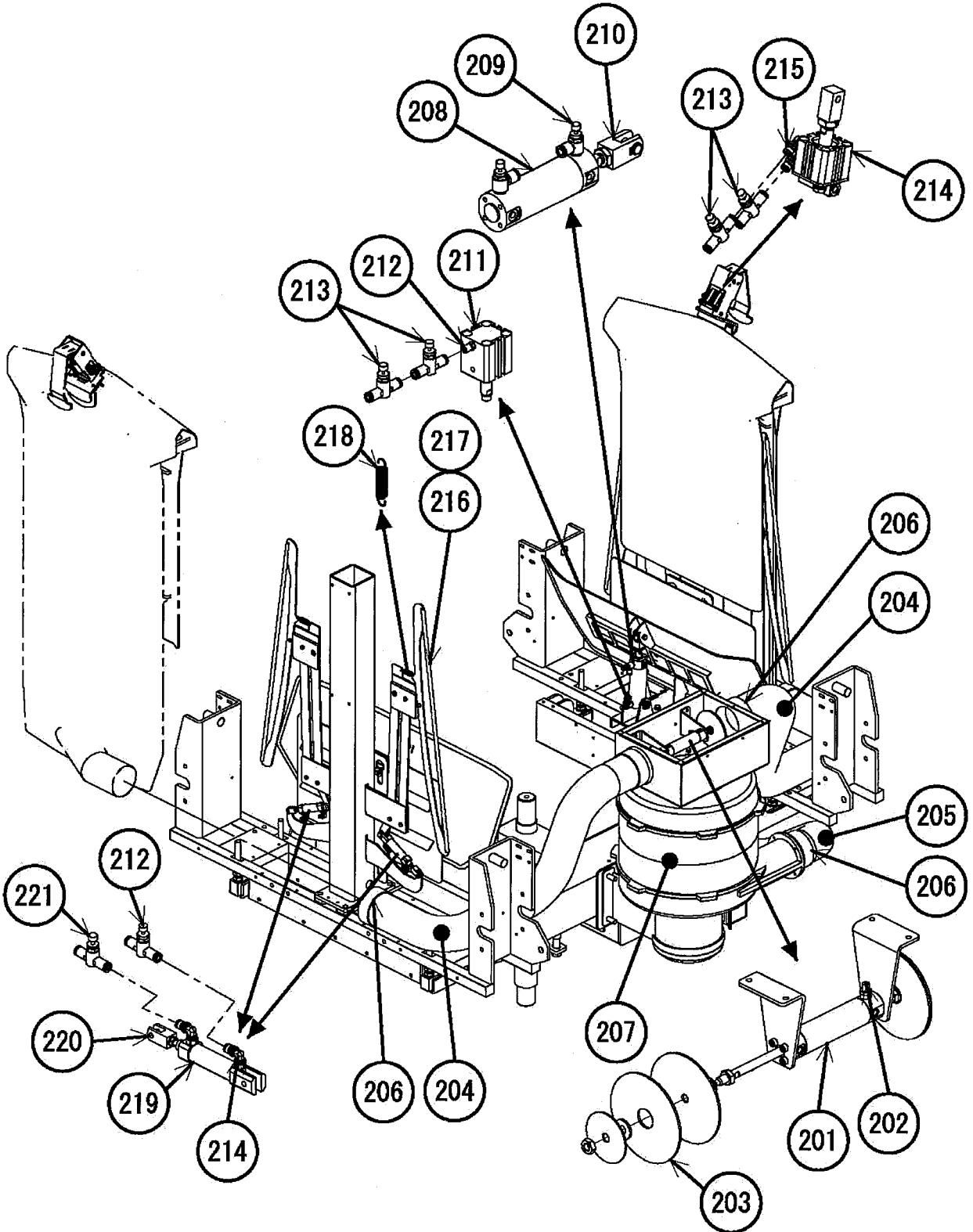
3DLP190U-V1-051-1



**Block A : Rotation/Blower Diagram**

**REV:4**

No.	Part Name	Part number	Q'ty	Remark
101	Cylinder	B2I040	1	Rotation Frame
	Cylinder Packing Set	B6J023	1	
102	Rodend	E5A013	1	
103	Sensor	B5A006	1	
	Sensor Band	B5D005	1	
104	Joint	C0C008	1	
105	Speed Controller	C1D004	1	
106	Rodend	E5B003	1	
107	Bearing Unit	E4A006	2	
108	Shock Absorber	F0K003	2	
109	Cylinder	B2J041	2	Blower Connection Upper/Lower
	Cylinder Packing Set	B6J009	2	
110	Joint	C0E003	4	
111	Speed Controller	C1A007	2	
112	Motor	G0H001	1	
113	Blower Fan	G2B009	1	
114	Mirror	Q0A007	1	



**Block B : Body Diagram**

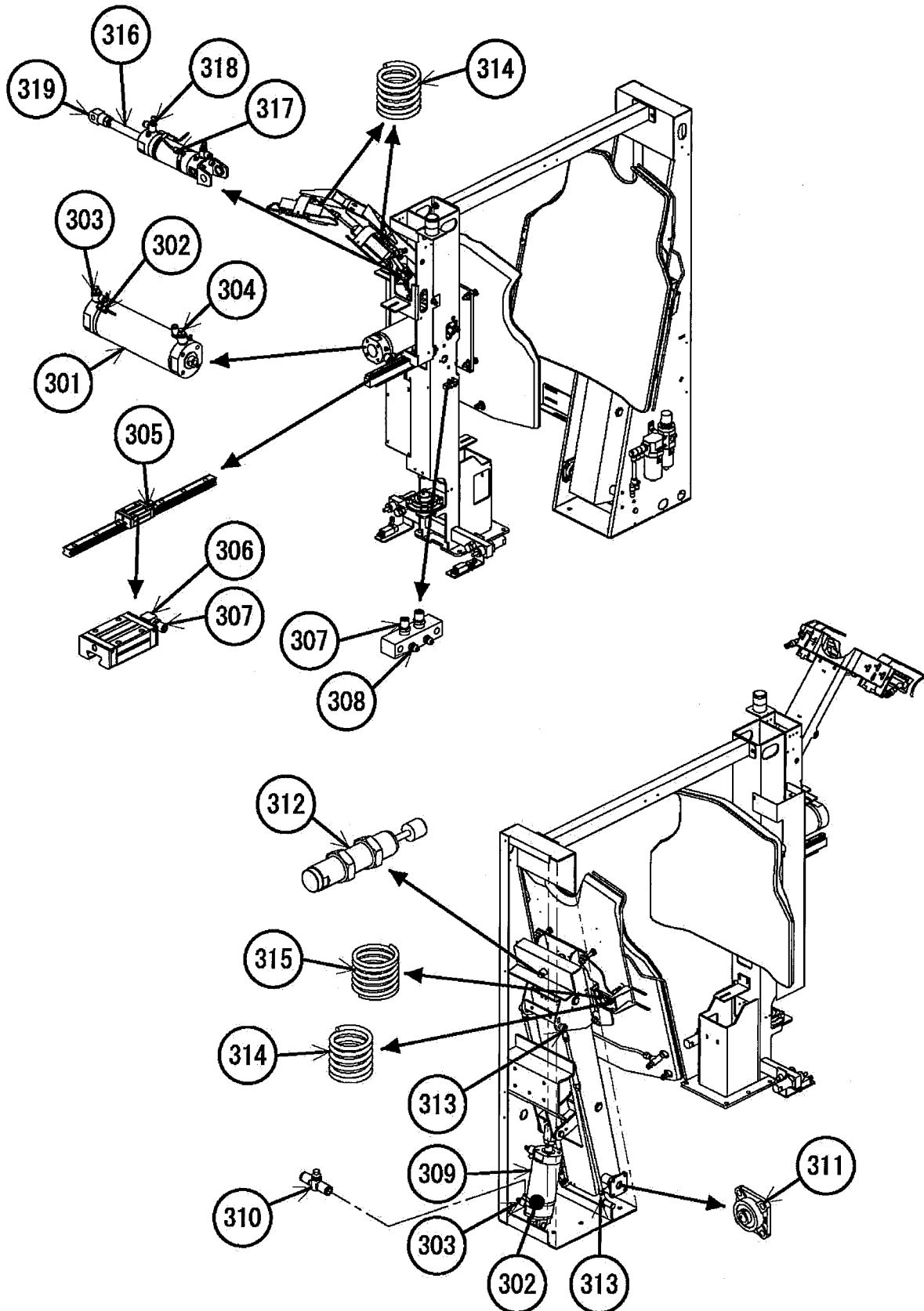
**REV:4**

No.	Part Name	Part number	Q'ty	Remark
201	Cylinder	B2I041	1	Vacuum Change
	Cylinder Packing Set	B6J021	1	
202	Joint	C0E001	2	
203	Packing	PLT-007	2	
204	Tie Flex Hose	K1D003	2	Length:950mm
205	Tie Flex Hose	K1D003	1	Length:720mm
206	Tie Flex Hose Cuff	K1D004	6	
207	Blower Motor	G1A030	1	
208	Cylinder	B2I038	2	Rear Clamp
	Cylinder Packing Set	B6J026	2	
209	Speed Controller	C1A012	4	
210	Knuckle Joint	B6B017	2	
211	Cylinder	B2J041	2	Rear Clamp Upper Lower
	Cylinder Packing Set	B6J009	2	
212	Joint	C0E003	2	
213	Speed Controller	C1A007	12	
214	Cylinder	B2J060	2	Neck Clamp
	Cylinder Packing Set	B6J025	2	
215	Joint	C0B010	12	
216	Spring	H0D015	4	
217	Rod	H0D016	4	
218	Spring	H0D004	4	
219	Cylinder	B2J040	4	Side Expander
220	Knuckle Joint	B6B013	4	
221	Speed Controller	C1A009	4	

# LP-190E Block C: Body Press Diagram

REV:4

3DLP190U-V1-053-1

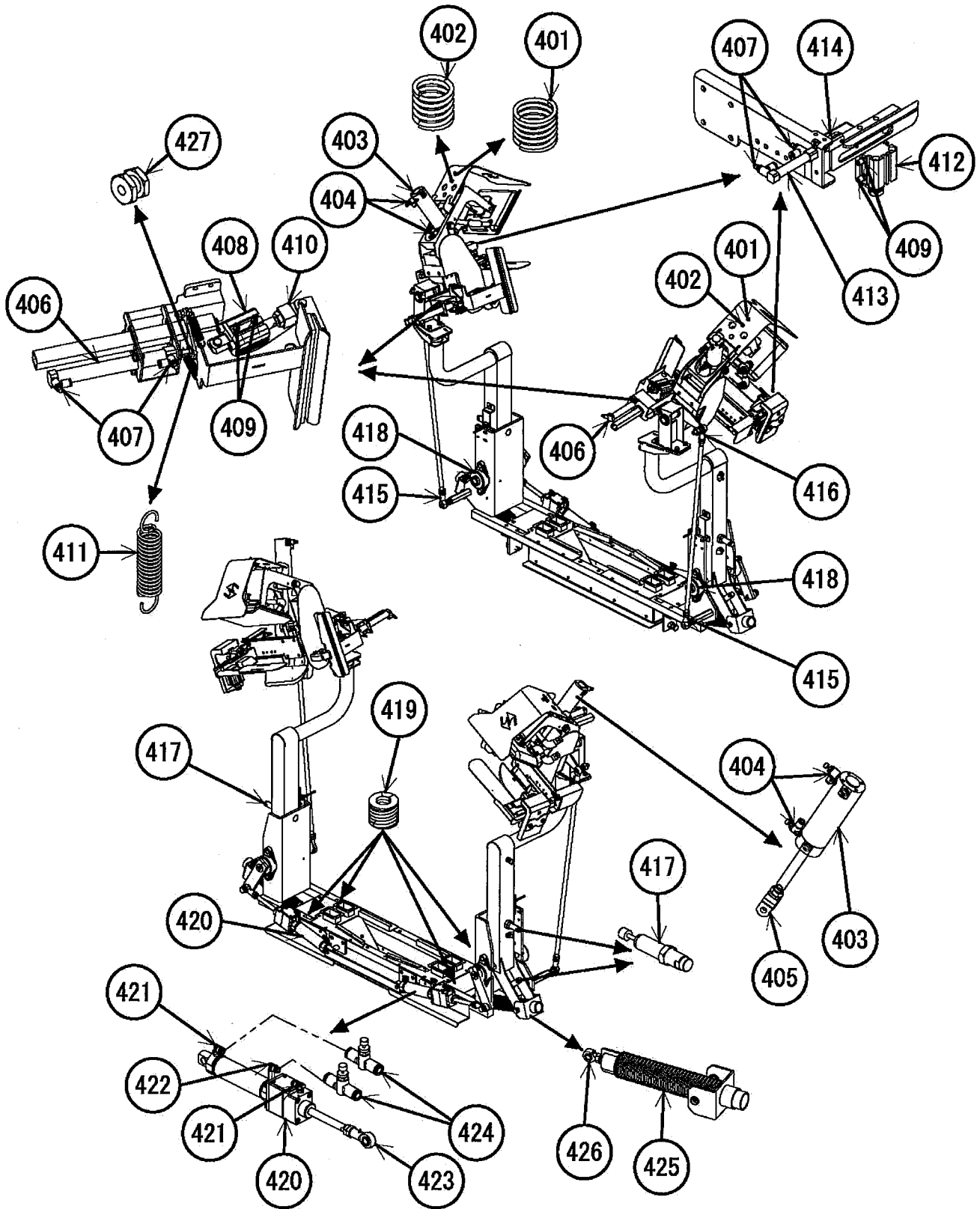


### Block C : Body Press Diagram

REV:4

No.	Part Name	Part number	Q'ty	Remark
301	Cylinder	B2I044	1	Rear Press
	Cylinder Packing Set	B6J024	1	
302	Sensor	B5A006	2	
	Sensor Band	B5D006	2	
303	Speed Controller	C1A028	3	
304	Speed Controller	C1A030	1	
305	LM Guide	E0B021	2	
	LM Guide Block	E0A003	2	
306	Joint	E0F001	2	
307	Joint	C0E002	4	
308	Grease Joint	E0F003	2	
309	Cylinder	B2I043	1	Front Press
	Cylinder Packing Set	B6J024	1	
310	Speed Controller	C1A022	1	
311	Bearing Unit	E4A001	2	
312	Shock Absorber	F0K002	1	
313	Rodend	E5A007	4	
314	Spring	H0D001	4	
315	Spring	H0D002	2	
316	Cylinder	B0U009	1	Shoulder Press
	Cylinder Packing Set	B6H047	1	
317	Sensor	B5A003	2	
	Sensor Band	B5B004	2	
318	Speed Controller	C1A012	2	
319	Knuckle Joint	B6A004	1	





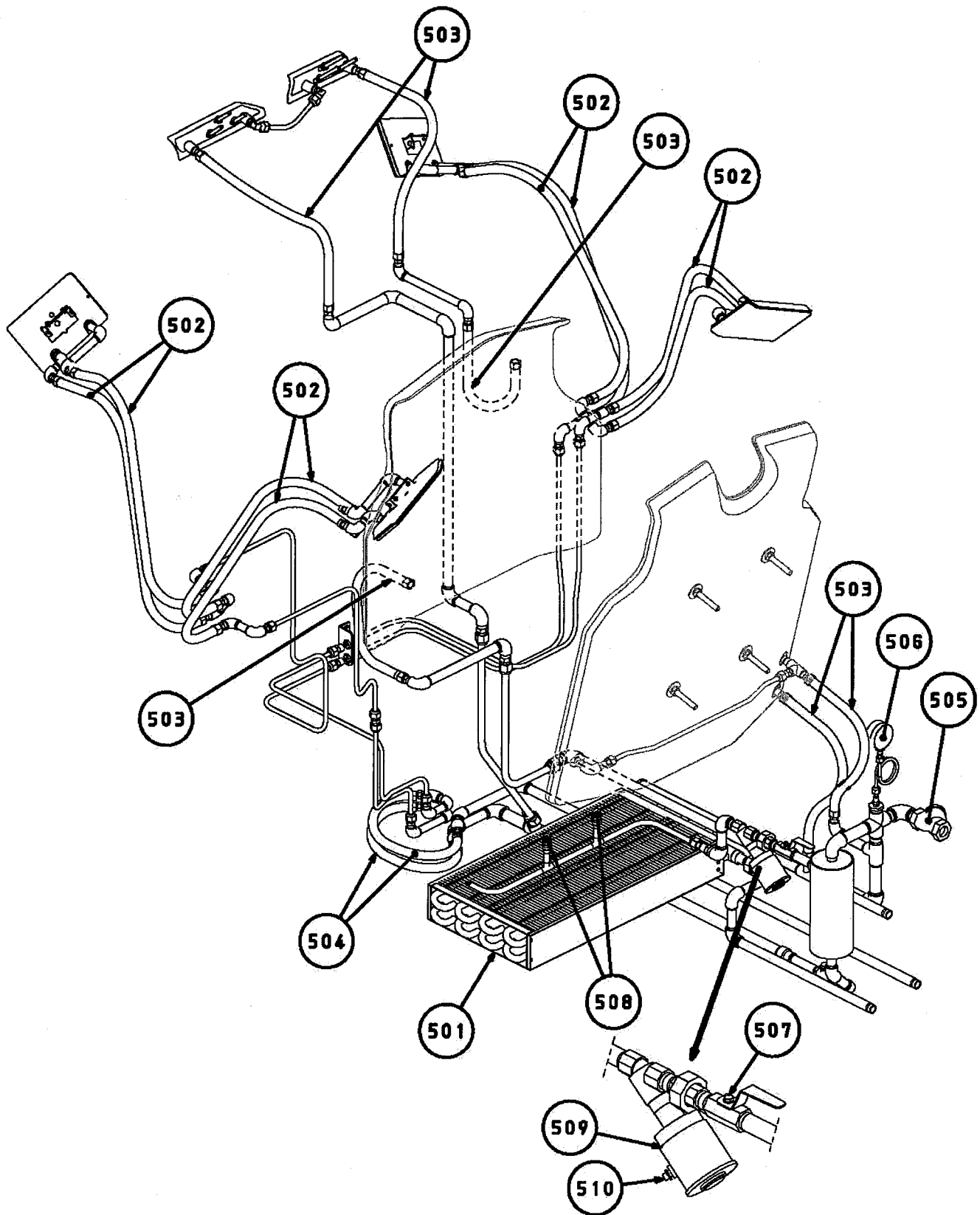
## Block D : Sleeve Arm Diagram

REV : 4

No.	Part Name	Part number	Q'ty	Remark
401	Spring	H0D001	4	
402	Spring	H0D002	4	
403	Cylinder	B2I027	4	Tuck Press
	Cylinder Packing Set	B6J022	4	
404	Speed Controller	C1A012	8	
405	Knuckle Joint	B6B018	4	
406	Cylinder	B2J058	4	Short Sleeve In / Out
407	Joint	C1A002	16	
408	Cylinder	B2J059	4	Short Sleeve Clamp
	Cylinder Packing Set	B6J027	4	
409	Joint	C0E003	16	
410	Knuckle Joint	B6A013	4	
411	Spring	H0D004	8	
412	Cylinder	B2J061	4	Cuff Clamp
	Cylinder Packing Set	B6J027	4	
413	Cylinder	B2J044	4	Cuff Adjuster
414	Knuckle Joint	B6B019	4	
415	Linkball	E5J004	4	
416	Linkball	E5J003	4	
417	Shock Absorber	F0K001	8	
418	Bearing Unit	E4A016	8	
419	Coil Spring	H0E072	8	
420	Cylinder	B2J055	4	Sleeve Arm
421	Joint	C0C121	8	
422	Joint	C0C125	4	
423	Linkball	E5A006	4	
424	Speed Controller	C1A008	8	
425	Coil Spring	H0E025	4	
426	Rodend	E5B006	4	
427	Floating joint	H5N003	4	

# LP-190E Block E: Steam Piping Diagram REV:4

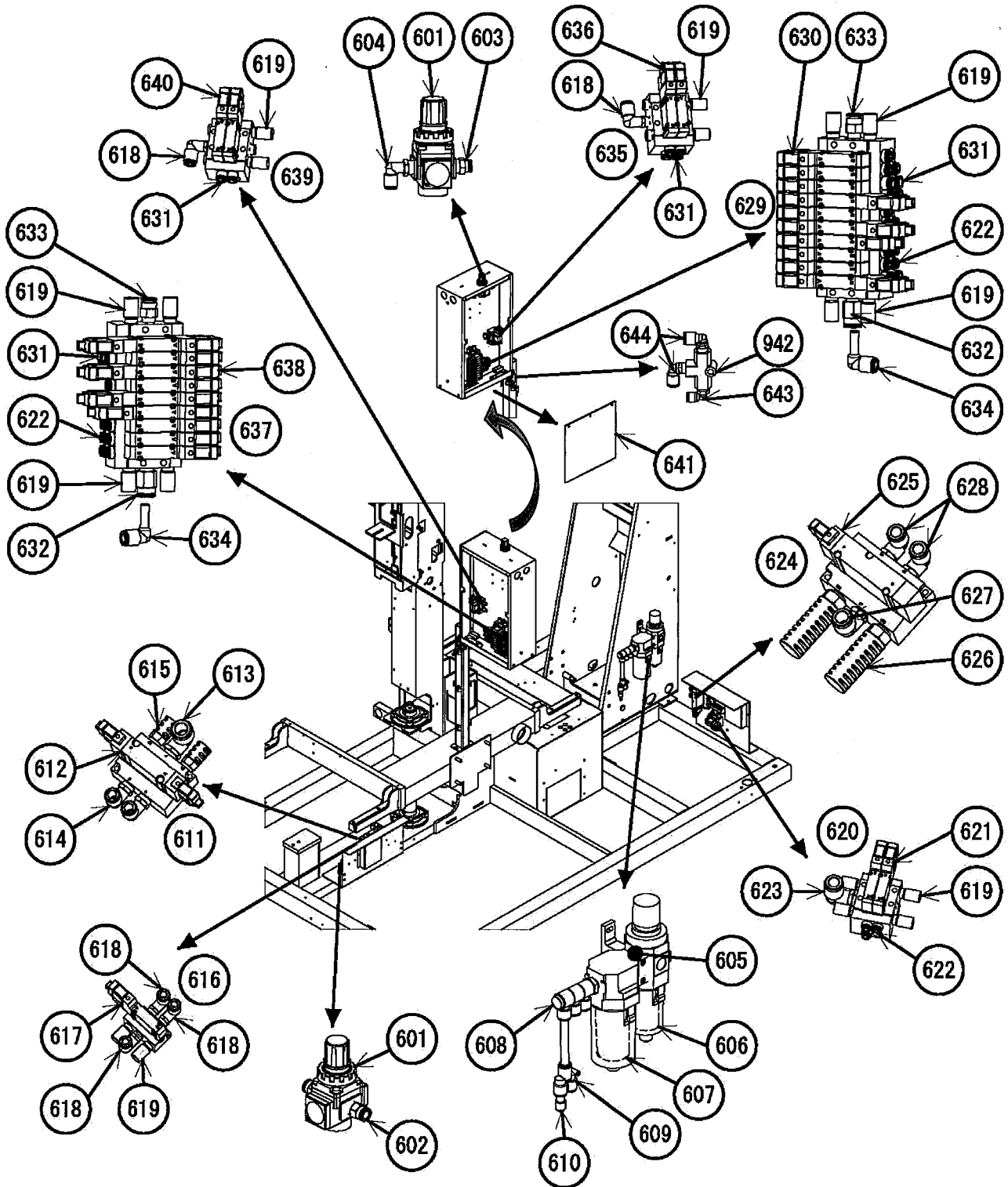
3DLP190U-V1-055-1



## Block E : Steam Piping Diagram

REV:4

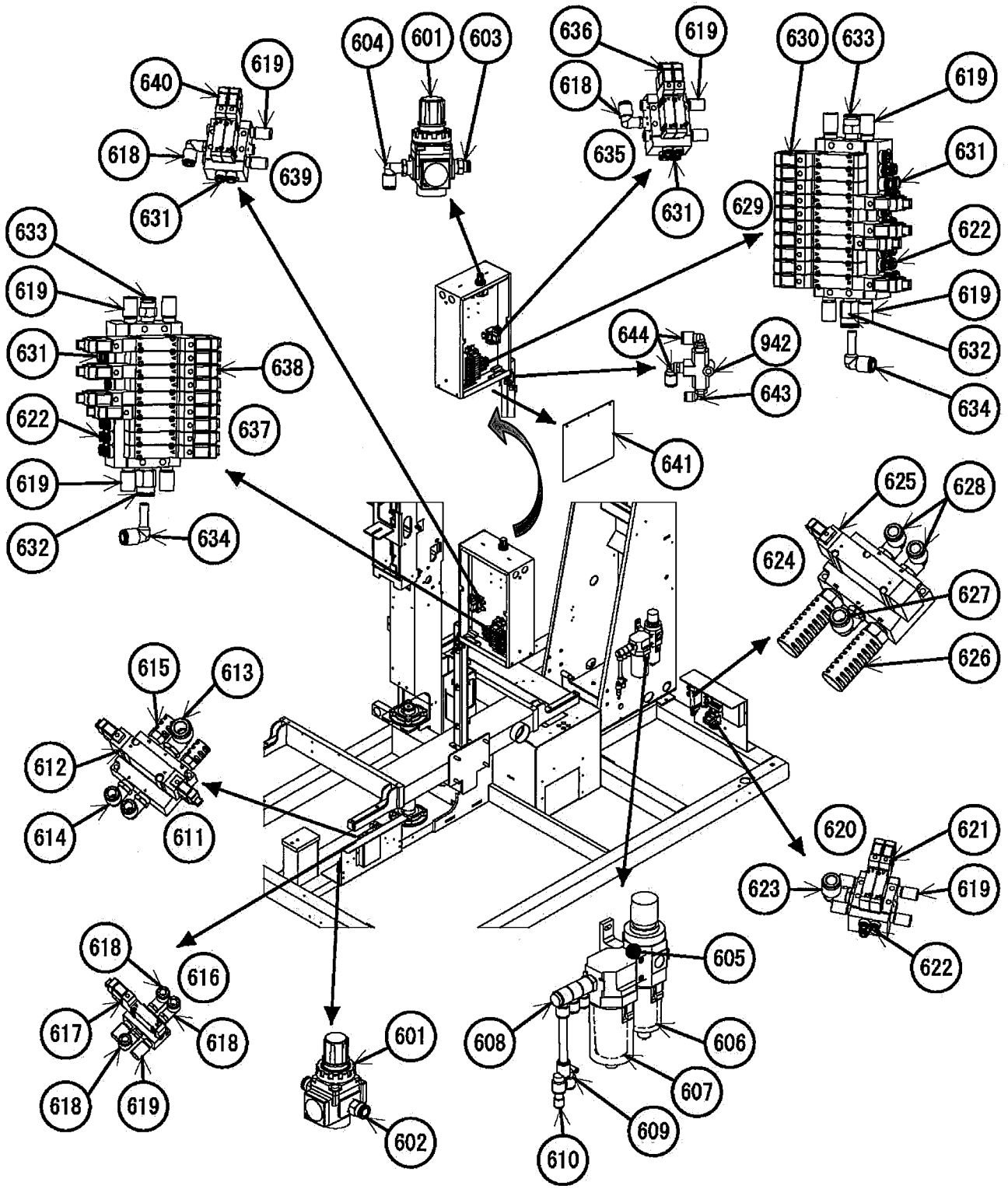
No.	Part Name	Part number	Q'ty	Remark
501	Radiator	RD210-000-2	1	
502	Flex Hose	A6B020	8	Tuck Press
503	Flex Hose	A6B017	6	Front/Shoulder/Rear Press
504	Flex Hose	A6B018	2	Rotation Frame
505	Y Type Strainer	J2M006	1	
506	Pressure Gauge	J0A003	1	
507	Ball Valve	J6A007	1	
508	Steam Nozzle	J0A001	2	
509	Steam Valve	A0G003	1	
510	Air Joint	C0E001	1	



## Block F : Pneumatic System

REV:4

No.	Part Name	Part number	Q'ty	Remark
601	Regulator	D0E025	2	Rotation Frame,Rear Clamp
602	Joint	C0C008	2	
603	Joint	C0C005	1	
604	Joint	C0C019	1	
605	Air Combination	D0H013	1	
606	Expendable parts	D1A018	1	(Element,Diaphragm Assembly etc.)
	Case Assembly	D1A032	1	
607	Expendable parts kit	D1G003	1	(Mantle, each O ring)
	Case Assembly	D1A033	1	
608	Joint	C0C123	1	
609	Joint	C0C042	2	
610	Joint	C0C030	2	
611	Manifold Valve	A0F082	1	
612	Solenoid Valve	A0E027	1	No.6,7:Rotation Start/ End
	Gasket	A0J009	1	
613	Joint	C0C066	1	
614	Joint	C0C022	2	
615	Silencer	C0A006	2	
616	Manifold Valve	A0F087	1	
617	Solenoid Valve	A0E012	1	No.9:Close Shoulder Press
	Gasket	A0J016	1	
618	Joint	C0C018	6	
619	Silencer	C0A003	18	
620	Manifold Valve	A0F084	1	
621	Solenoid Valve	A0E012	1	No.10:Move Up Blower Link
	Solenoid Valve	A0E012	1	No.48:Body Open Steam
	Gasket	A0J016	2	
622	Joint	A0J007	29	
623	Port Plug	A0J031	7	
624	Manifold Valve	A0F083	1	
625	Solenoid Valve	A0E026	1	No.8:Close Body Press
	Gasket	A0J017	1	
626	Silencer	C0A008	2	
627	Joint	C0C064	1	
628	Joint	C0C025	2	



Block F : Pneumatic System

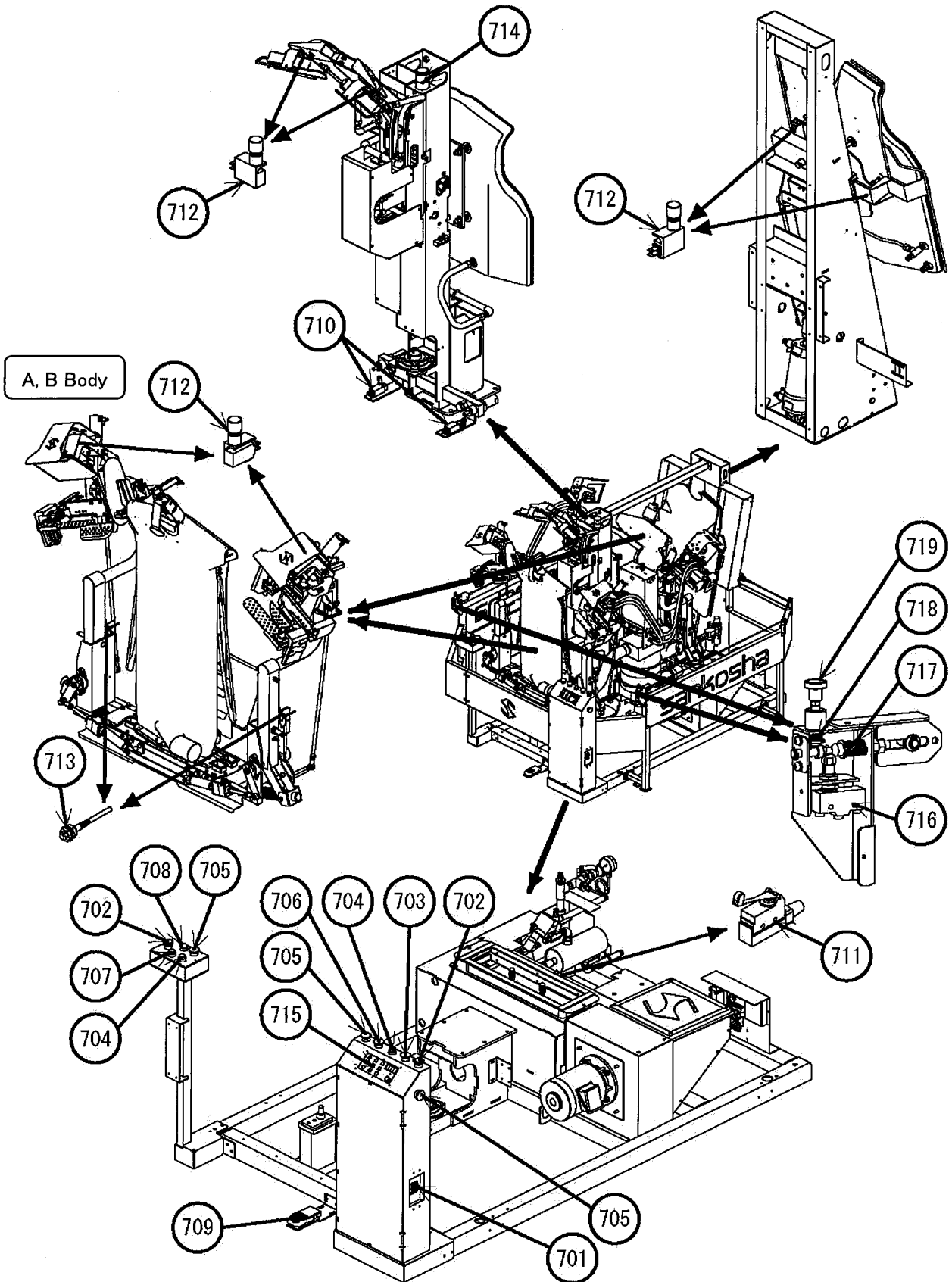
REV:4

No.	Part Name	Part number	Q'ty	Remark
629	Manifold Valve	A0F139	1	No. ~ LP190EX-0008
		A0F148	1	No. LP190EX-0009 ~
630	Solenoid Valve	A0E012	1	No.21:B Body Close Neck Clamp (No.~LP190U-0089)
		A0E018	1	No.4,21:B Body Open/Close Neck Clamp (No.LP190EX-0009~)
	Solenoid Valve	A0E012	1	No.22:B Body Close Left Cuff Clamp
	Solenoid Valve	A0E012	1	No.23:B Body Close Right Cuff Clamp
	Solenoid Valve	A0E017	1	No.24,44:B Body Move Front/Rear Short Sleeve
	Solenoid Valve	A0E021	1	No.25,26:B Body Open/Close Side Expander
	Solenoid Valve	A0E012	1	No.28:B Body Move Up Tail Clamp
	Solenoid Valve	A0E021	1	No.29,42:B Body Move Down/Up Sleeve Arm
	Solenoid Valve	A0E012	1	No.30:B Body Close Tuck Press
	Solenoid Valve	A0E012	1	No.31: Select Vacuum B Body
	Solenoid Valve	A0E012	1	No.46:B Body Close Tail Clamp Hdigh Pressure
		Gasket	A0J016	10
631	Joint	C0G002	14	
632	Joint	C0C065	2	
633	Joint	C0C004	2	
634	Joint	C0C124	2	
635	Manifold Valve	A0F133	1	
636	Solenoid Valve	A0E012	1	No.17:A Body Close Tail Clamp Low Pressure
	Solenoid Valve	A0E012	1	No.27:B Body Close Tail Clamp Low Pressure
	Gasket	A0J016	2	
637	Manifold Valve	A0F138	1	No. ~ LP190EX-0008
		A0F147		No. LP190EX-0009 ~
638	Solenoid Valve	A0E012	1	No.11:A Body Close Neck Clamp (No.~LP190E-0008)
		A0E018	1	No.3,11:A Body Open/Close Neck Clamp (No.~LP190EX-0009)
	Solenoid Valve	A0E012	1	No.12:A Body Close Left Cuff Clamp
	Solenoid Valve	A0E012	1	No.13:A Body Close Right Cuff Clamp
	Solenoid Valve	A0E017	1	No.14,43:A Body Move Front/Rear Short Sleeve
	Solenoid Valve	A0E021	1	No.15,16:A Body Open/Close Side Expander
	Solenoid Valve	A0E012	1	No.18:A Body Move Up Tail Clamp
	Solenoid Valve	A0E021	1	No.19,41:A Body Move Down/Up Sleeve Arm
	Solenoid Valve	A0E012	1	No.20:A Body Close Tuck Press
	Solenoid Valve	A0E012	1	No.45:A Body Close Tail Clamp Hdigh Pressure
	Gasket	A0J016	9	
639	Gauge Switch	A0F134	1	
640	Solenoid Valve	A0E012	1	No.32:A Body Sleeve Arm Brake OFF
	Solenoid Valve	A0E012	1	No.33:B Body Sleeve Arm Brake OFF
	Gasket	A0J016	2	
641	Solenoid Valve Cover	S1B584	2	
642	Shuttle Valve	A0G012	2	
643	Joint	C0C052	2	
644	Joint	C0C054	4	



# LP-190E Block G: Electric Switch Layout REV:4

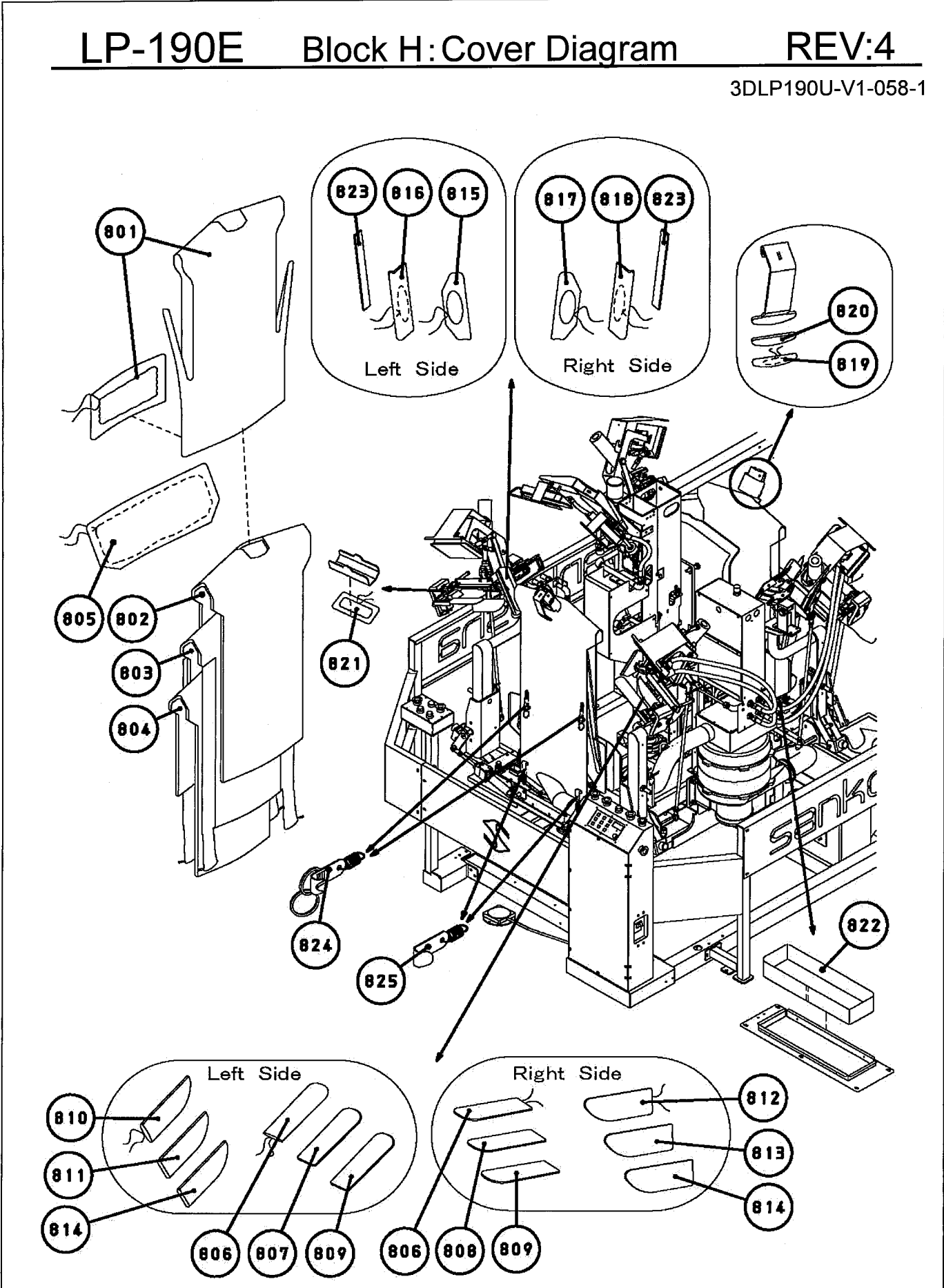
3DLP190E-V1-057-3



## Block G : Electric Switch Layout

REV:4

No.	Part Name	Part number	Q'ty	Remark
701	Breaker Switch	21C007	1	
702	Push Button	21I107	2	Emergency
703	Push Button	21I111	1	Reset
	Push Button Cap	21I044	1	
704	Push Button	21I108	2	Tuck press Cancel, Size adjustment
705	Push Button	21I110	3	Left Cuff, Long Start, Right Start
	Push Button Cap	21I042	3	
706	Push Button	21I112	1	Short Start
	Push Button Cap	21I119	1	
707	Push Button	21I109	1	Short Sleeve
708	Lamp	21M016	1	Shoulder Press
709	Foot Pedal	20Z009	1	No. ~LP190E-0007
	Foot Pedal Unit	FP-UNT-021	1	No. LP190E-0008~
	Micro Switch	21E001	1	
	Foot Pedal Spring	H0D019	1	
710	Limit Switch	21E002	2	A,B Body Rotation Stop
711	Limit Switch	21E007	1	Blower Link
712	Push Button	21I012	8	Safety Bar : No.~LP190E-0004
	Push Button Cap	21I013	8	No. ~LP190E-0004
	Push Button	21I085	8	No. LP190E-0005~(Changeable)
713	Proximity sensor	20P038	6	Sleeve Arm
714	Warning Lamp	21L001	1	
715	Panel Sheet	LP190U-V1-00	1	
716	Limit Switch	21E012	2	Rope Switch (No. LP190E-0008~)
717	Coil Spring	H0E015	2	Rope Switch (No. LP190E-0008~)
718	Spring	H0F010	2	Rope Switch (No. LP190E-0008~)
719	Knob	E5T007	2	Rope Switch (No. LP190E-0008~)



## Block H : Cover Diagram

REV:4

No.	Part Name	Part number	Q'ty	Remark
801	Body Cover	S1B562	2	
802	Body Spring Felt Pad(Upper) 13mm	S1B563	2	
803	Body Baloon Felt Pad(Lower) 5mm	S1B564	2	
804	Body SH Silicone 10mm	S1B565	2	
805	Tail Clamp Cover	S1B566	2	
806	Front Tuck Cover	S1B062	4	
807	Front Tuck Felt Pad(Left) 5mm	S1B063	2	
808	Front Tuck Felt Pad(Right) 5mm	S1B064	2	
809	Front Tuck H Silicone 6mm	S1B065	4	
810	Rear Tuck Cover(Left)	S1B066	2	
811	Rear Tuck Felt Pad(Left) 5mm	S1B067	2	
812	Rear Tuck Cover(Right)	S1B068	2	
813	Rear Tuck Felt Pad(Right) 5mm	S1B069	2	
814	Rear Tuck SH Silicone 10mm	S1B070	4	
815	Short Sleeve Cover(Left)	S1B557	2	
816	Short Sleeve Holder Cover(Left)	S1B559	2	
817	Short Sleeve Cover(Right)	S1B558	2	
818	Short Sleeve Holder Cover(Right)	S1B560	2	
819	Neck Clamp(Small) Cover	S1B022	2	
820	Neck Clamp(Small) Orange Silicone	S1B023	2	
821	Cuff Clamp Cover	S1B071	4	
822	Blower Cover	S1B583	1	
823	Adhesive Tape	100S	4	Length: 210mm
824	Cover Spring Unit	CSP-UNT-016	4	
825	Cover Spring Unit	CSP-UNT-017	4	