

sankosha®
PRESS AND PROGRESS

Single Collar Cuff Press

Parts List

LP-660E

(No.E070001~)

(REV : 1)

Ersatzteile
bis Seriennr. 70027

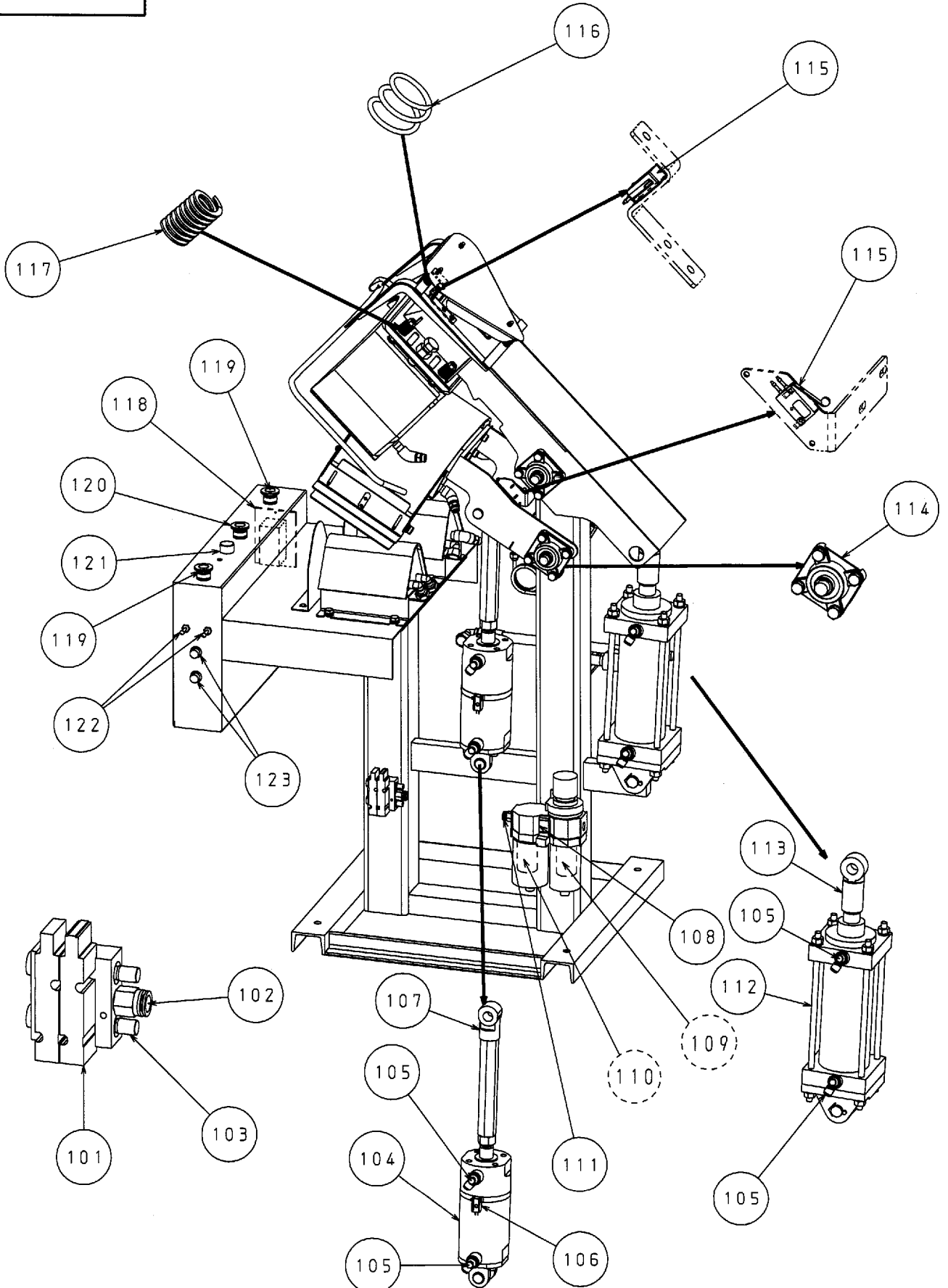
LP-660E Moving Parts REV: 1

3DLP660E-V1-050-1

Serial Number

E070001

?



Moving Parts

REV : 1

No.	Description	Part Number	Q'ty	Remark
101	Solenoid Valve NO.1	SY7140-5L0Z-X90	1	Cuff Press YV1
	Solenoid Valve NO.2	SY7140-5L0Z-X90	1	Collar Press YV2
102	Air Fitting	KQ2H12-03S	1	
103	Silensor	AN203-02	2	
104	Cuff Press Cylinder	CDG1DA100-100-B53S	1	
105	Speed Controller	AS4201F-04-10S	4	
106	Sensor	B53S	1	Cuff Press Down Switch SW15
107	Knuckle Joint	I-G10	1	
108	Regulator	AC40D-03DE-R	1	
109	Filter Element	AF30P-060S	1	
110	Filter Assembly	AFM30P-060AS	1	
111	Air Fitting	KQ2H12-03S	1	
112	Collar Press Cylinder	CS1BN125-230	1	
113	Knuckle Joint	I-12	1	
114	Pillow Block	UCF-204	2	
115	Micro switch	VX-015-1A3	3	L/R Safety Guard Switch SW20-SW21 Collar Press Down Switch SW16
116	Emergency Spring A	ACC-002	3	
117	Cushion Spring	CN610-213	4	
118	Breaker Switch	GV2- ME 08	1	BK1
119	Start Switch	HW1B-M110W	2	L/R Start Switch SW 13-SW14
120	Emergency Stop Button	HW1B-V402R	1	SW12
121	Reset Button	HW1B-M110S	1	SW17
122	Timer Select Switch Mode Select Switch	AJ45100	2	Timer Select Switch SW19, Mode Select Switch SW18
123	Timer for Long Cycle(Long) Timer for Short Cycle (Short)	RV24YN20S100KQB	2	Timer for Long Cycle(Long) VR1 Timer for Short Cycle (Short) VR2

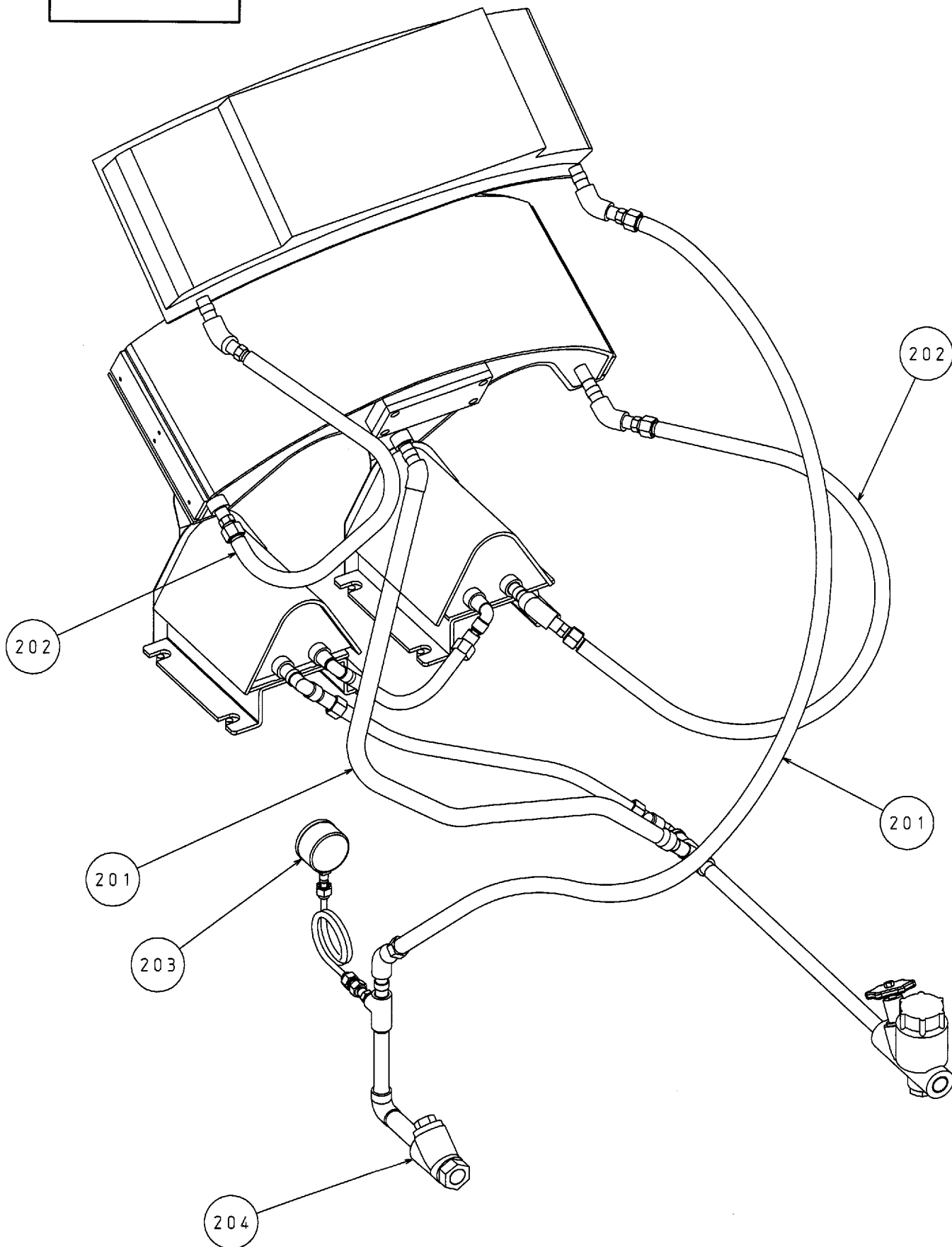
LP-660E Steam Piping Layout REV: 1

3DLP660E-V1-051-1

Serial Number

E070001

2



Steam Piping Layout**REV : 1**

No.	Description	Part Number	Q'ty	Remark
201	Flexible Hose	3/8x600L with Blade	2	Inlet- Collar Press Cuff Press- Outlet
202	Flexible Hose	3/8x400L with Blade	2	Collar Press- Cuff Press Cuff Press- Cuff Table
203	Steam Gauge	7 /16x60x1.6 Mpa	1	
204	Y Type Strainer	1/2"	1	