



sankosha®
PRESS AND PROGRESS

Single Collar Cuff Press

Parts List

LP-690E

(No.E080001~)

(REV : 1)

LP-690E (Front diagram)

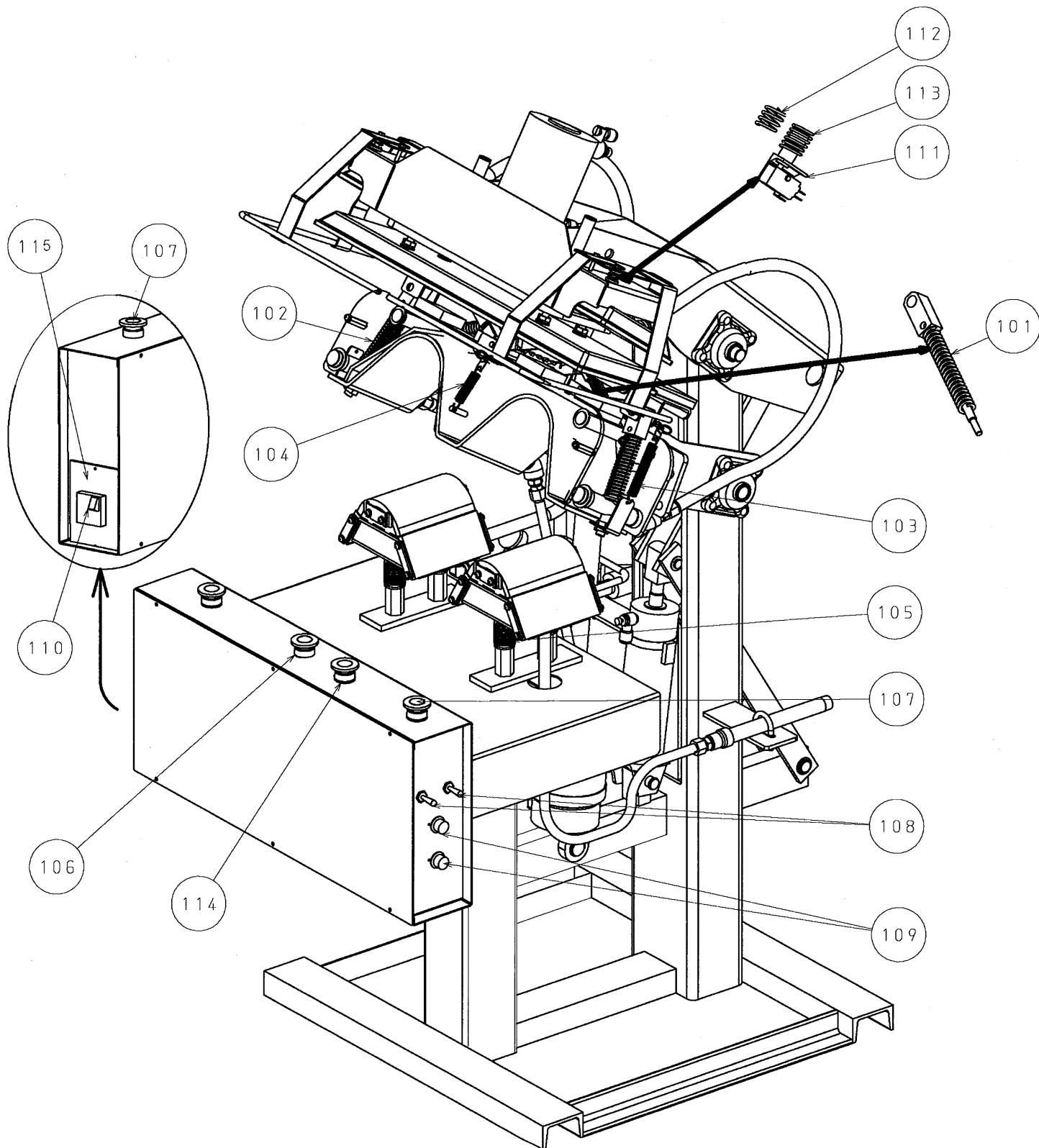
REV: 1

3DLP690E-V1-051-1

Serial Number

E080001

2



Front Diagram

No.	Description	Part Number	Q'ty	Remark
101	Coil Spring	SWU17-120	2	
102	Coil Spring	SWU26-125	2	
103	Tension Spring	AUY8-60	2	
104	Tension Spring	AUS10-50	2	
105	Coil Spring	SWR31-35	4	
106	Emergency Stop Button	HW1B-V402R	1	SW12
107	Left/Right Start Button	HW1B-M110W	2	SW13.14
108	Mode/Timer Select Swotch	AJ45100	2	SW18.19
109	Long /Short Timer	RV24YN20S100K Ω B	2	VR1.2
110	Breaker Switch	GV2-ME04	1	BK1
111	Safety Guard Switch	AB9252	2	SW20,21
112	Emergency Spring (B)	ACC-002	2	
113	Emergency Spring (A)	ACC-003	2	
114	Reset Switch	AR22M0R-10S-Z4	1	SW17
115	Breaker Cover	GV2-CP21	1	

LP-690E (Rear diagram)

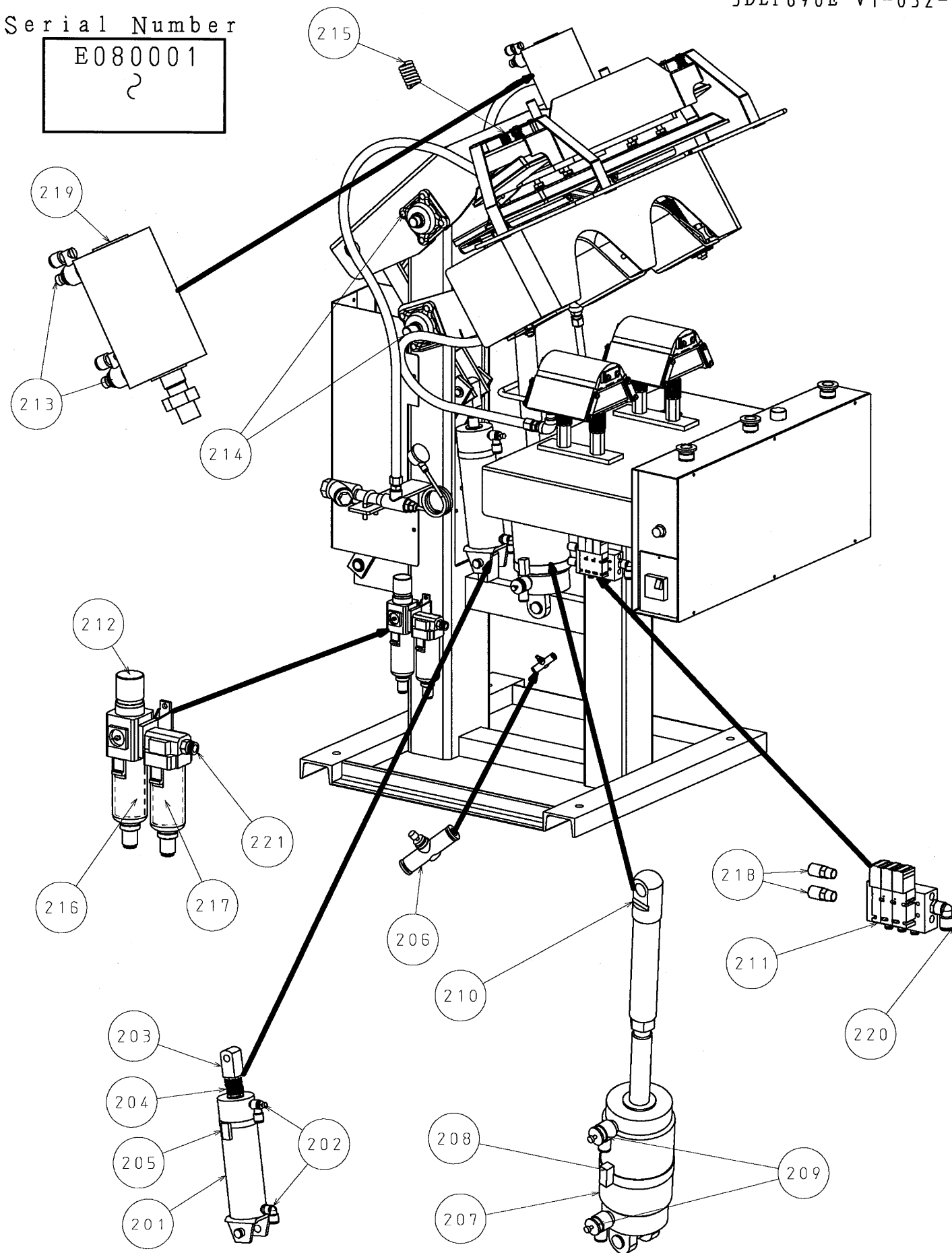
REV: 1

3DLP690E-V1-052-1

Serial Number

E080001

?



Rear diagram

No.	Description	Part Number	Q'ty	Remark
201	Cylinder	CDG1DA50-150-B73S	1	
202	Speed Controller	AS3201F-02-10S	2	
203	Knuckle Joint	I-G05	1	
204	Coil Spring	SWU31-50	1	
205	Sensor	D-B73S	1	
206	Speed Controller	AS3001F-10	1	
207	Cylinder	CDG1DA100-100-B53S	1	
208	Sensor	D-B53S	1	
209	Speed Controller	AS4201F-04-10S	2	
210	Knuckle Joint	I-G10	1	
211	Solenoid Valve	VQZ3151-5LO-X113	1	Cuff Press YV1
211	Solenoid Valve	VQZ3151-5LO-X113	1	Upper Press Arm YV2
211	Solenoid Valve	VQZ3151-5LO-X113	1	Press Cylinder YV3
212	Air Combination	AC30D-03DE-R	1	
213	Speed Controller	AS4301F-04-10S	2	
214	Pillow Brock	UCF204	4	
215	Cushion Spring	SWP ϕ 4	4	
216	Filter	AF30P-060S	1	
217	Element Assembly	AFM30P-060AS	1	
218	Silensor	AN203-02	2	
219	Cylinder	CG1BA100-75	1	
220	Air Joint	KQ2L10-03S	1	
221	Air Joint	KQ2H10-03S	1	

LP-690E (Steam Piping)

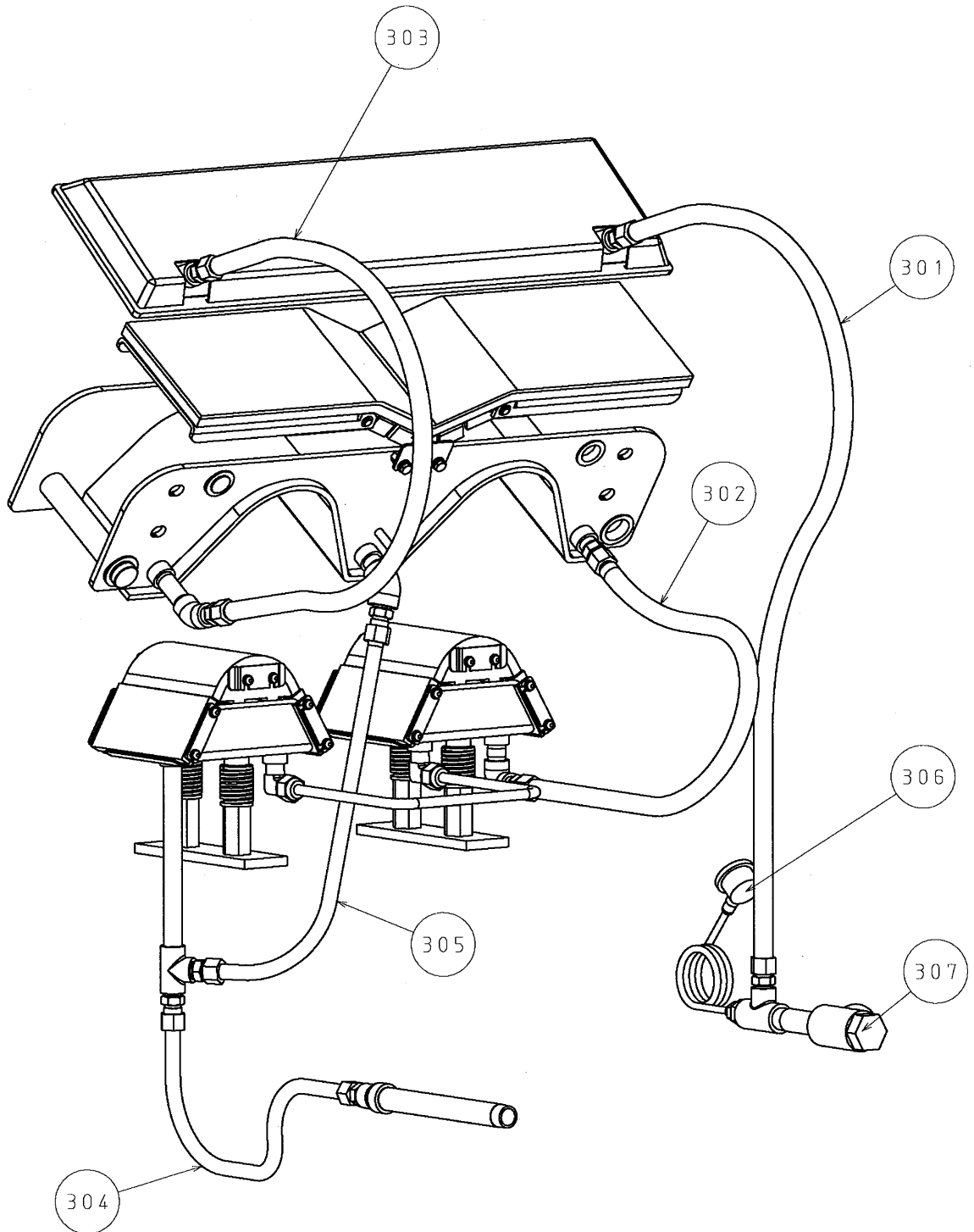
REV: 1

3DLP690E-V1-053-1

Serial Number

E080001

?



Steam Piping

No.	Description	Part Number	Q'ty	Remark
301	Flexible Hose	3/8" × 800L with Braid	1	
302	Flexible Hose	3/8" × 470L with Braid	1	
303	Flexible Hose	3/8" × 650L with Braid	1	
304	Flexible Hose	3/8" × 350L with Braid	1	
305	Flexible Hose	3/8" × 470L with Braid	1	
306	Steam Gauge	AMT7/16PF × 60 × 1.6MPa	1	
307	Y Type Strainer	1/2"	1	